

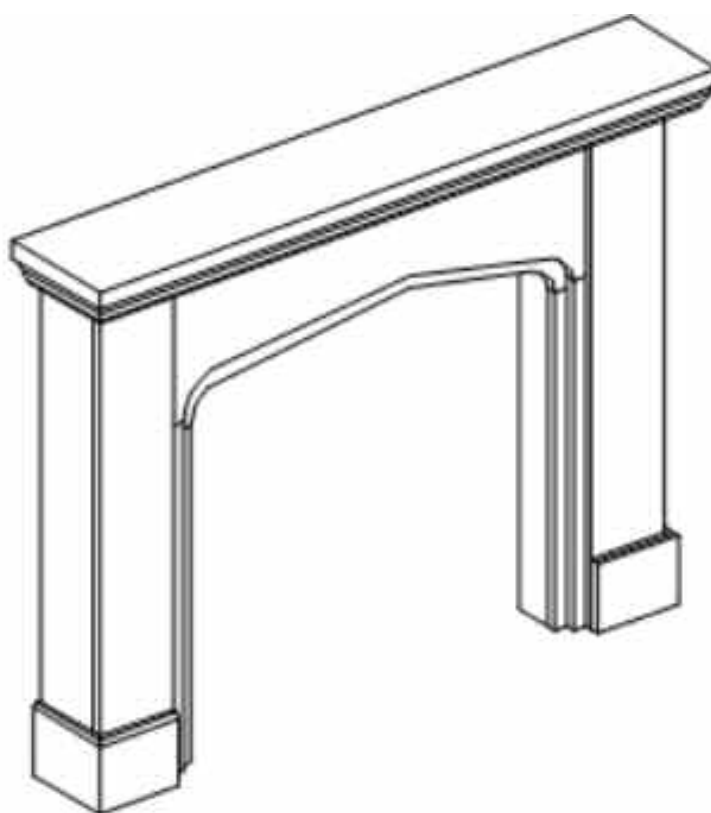
ASSEMBLY & INSTALLATION INSTRUCTIONS



MODELS COVERED BY THESE INSTRUCTIONS

F820556 FPFBQ382 MINI MERCIA FIRE SURROUND OAK

Focal Point Fires plc.
Christchurch, Dorset BH23 2BT
Tel: 01202 499330
Fax: 01202 499326
www.focalpointfires.co.uk
e : sales@focalpointfires.co.uk



Questions or problems with your appliance?
Don't take it back to the store

just give us a call on **01202 588601** we're here to help
lines open between 9am and 5pm, Monday to Friday

3 YEAR GUARANTEE

SUBJECT TO TERMS & CONDITIONS

For details please see: www.focalpointfires.co.uk/tandcs or telephone
01202 588635 Option 7

Please note : Except where otherwise stated, all rights, including copy-right in the text, images and layout of this booklet is owned by Focal Point Fires plc. You are not permitted to copy or adapt any of the content without the prior written permission of Focal Point Fires plc.

All instructions must be handed to the user for safekeeping.

Revision C - 03/14

© 2014 Focal Point Fires plc.

| Section | Contents | Page No. |
|---------|---|----------|
| 1.0 | Important notes | 2 |
| 2.0 | Tools required | 2 |
| 3.0 | Hardware & parts list | 2 |
| 4.0 | Assembly | 3 |
| 5.0 | Installation | 6 |
| 6.0 | Cleaning/ finishing | 6 |
| 7.0 | Guarantee - terms and conditions | 6 |

1.0 IMPORTANT NOTES

To ensure safe and stable installation:

1. The assembled Fire Surround must be fixed / secured to wall.
2. The wall must be sturdy and in good repair.
3. Some walls require alternative fixings (not included).
4. When drilling into the wall, check for hidden pipes and cables.
5. There are two options for construction of this surround.

A - with rebates - If you are installing this surround with a gas fire, or an electric fire where there is space in the wall to recess the fire use parts 7 & 8, this means the laminate is up against the wall.

B - with out rebates - If using this surround with an electric fire and a flat wall do not use with rebates, instead use the spacer frame from the fire.

2.0 TOOLS REQUIRED







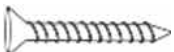

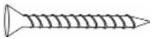

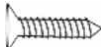



Cross head screwdriver PZ2 (3 inches in length or greater)

Drill, 6mm and a 2mm suitable drill bit

Pencil

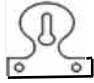


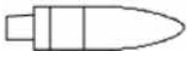
Tape measure

3.0 HARDWARE & PARTS LIST

| CODE | NAME | FIGURE | QUANTITY | CODE | NAME | FIGURE | QUANTITY |
|------|----------------------|---|----------|------|------------------|---|----------|
| A | WOOD DOWELS (8X30mm) |  | 14PCS | ① | MANTLE TOP |  | 1PC |
| B | CAM LOCKS (15X12mm) |  | 10PCS | ② | FRONT PANEL |  | 1PC |
| C | CAM BOLTS (6X35mm) |  | 10PCS | ③ | LEFT LEG |  | 1PC |
| D | SCREWS (8X25mm) |  | 13PCS | ④ | RIGHT LEG |  | 1PC |
| E | SCREWS (8X38mm) |  | 2PCS | ⑤ | LEFT SIDE PANEL |  | 1PC |
| F | SCREWS (6X19mm) |  | 4PCS | ⑥ | RIGHT SIDE PANEL |  | 1PC |
| G | WALL PLUGS (6X25mm) |  | 2PCS | ⑦ | INSIDE PANEL TOP |  | 1PC |

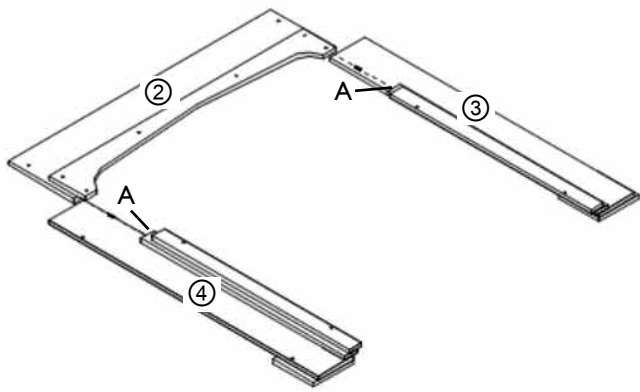
3.0 HARDWARE & PARTS LIST - CONTINUED

GB IE

| CODE | NAME | FIGURE | QUANTITY | CODE | NAME | FIGURE | QUANTITY |
|------|-------------------------|---|----------|------|---------------|---|----------|
| H | MIRROR PLATES (45X43mm) |  | 2PCS | ⑧ | INSIDE PANELS |  | 2PC |
| I | ALLEN KEY |  | 1PCS | | | | |
| J | GLUE (10g) |  | 1PCS | | | | |

4.0 ASSEMBLY

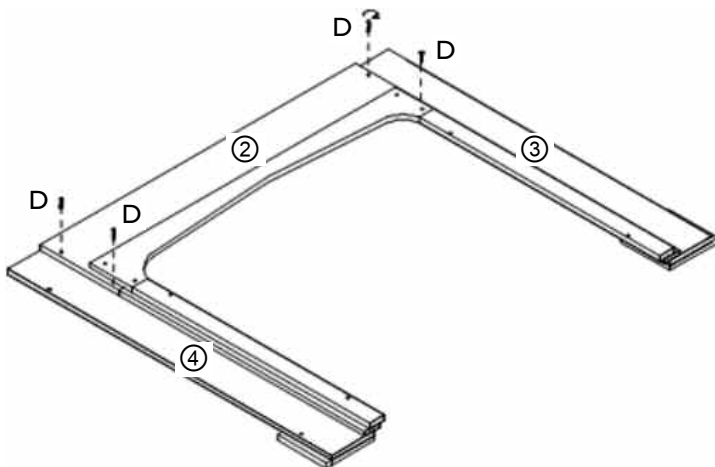
STEP 1



| Fixings | Parts |
|-----------|-------|
| A x 2 PCS | 2 |
| | 3 |
| | 4 |

Lay the left leg(3) and the right leg(4) along with the front panel (2) on a soft floor. Next insert a 20mm dowel joint (A) into the top of each leg with a small amount of glue (J).

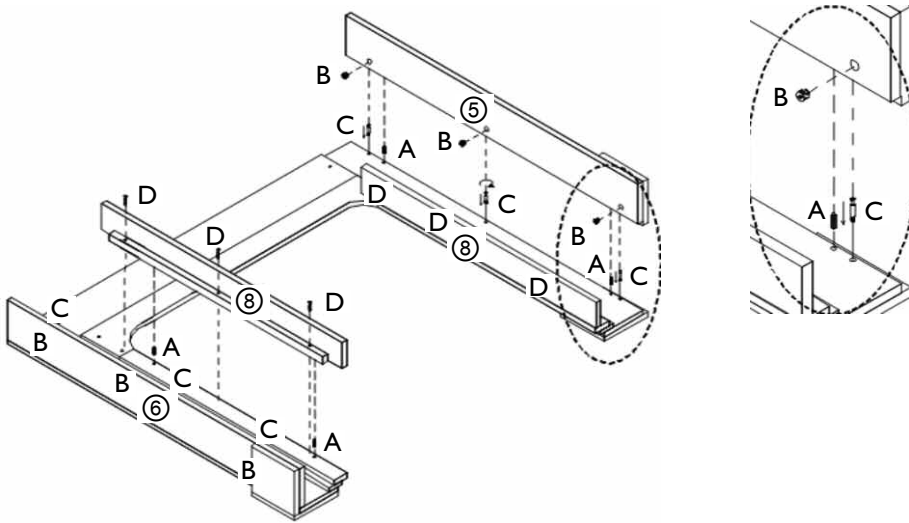
STEP 2



| Fixings | Parts |
|---------|-------|
| D x 4 | 2 |
| | 3 |
| | 4 |

With the front panel (2) now in the correct position, you are able to screw the front panel (2) to the left (3) and the right (4) hand legs using the 4x25mm screws (D).

STEP 3



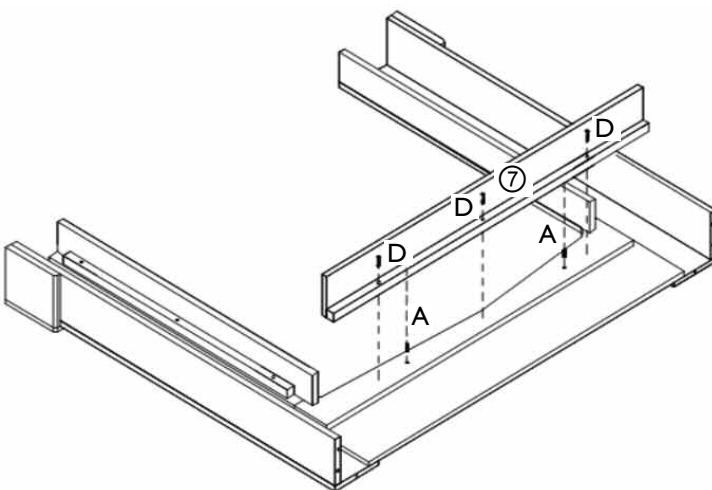
| Fixings | Parts |
|-----------|-------|
| A x 8 PCS | 8 |
| B x 6 PCS | 8 |
| C x 6 PCS | 5 |
| D x 6 PCS | 6 |

Insert 3x cam locks (B) into the left hand side panel (5), ensuring that the cross heads are facing outwards. So it can be tightened later on. Using a cross head screwdriver, screw the 3x cam bolts (C) into the left leg. Offer the side panel up to the leg to make sure the inserts are in the correct orientation. Making sure that the cam locks are facing into the right leg and the leg is not upside down. Next insert the wooden 20mm dowels (A) into the left leg, also using a small amount of glue (J) glue provided). With the glue on both ends of the dowel joints, insert the left panel onto the left leg. When in the correct position, you are able to tighten the cam locks with a PZ2 screw driver or the allen key supplied (I). To assemble the right side please follow the same method used to complete the left leg.

If using option A only. If rebates are not being used go to step 5.

Join both left and right inside panels (8) to the rear of the surround via 4 dowels (A), once glued into position screw 6x 25mm screws (D) to secure the surround together. Ensure the labels on the rebates are facing outwards.

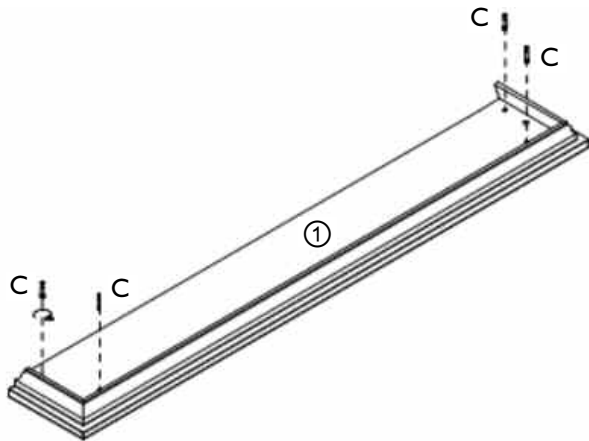
STEP 4



| Fixings | Parts |
|-----------|-------|
| A x 2 PCS | 7 |
| D x 3 PCS | |

Install top inside panel (7) by attaching 2x dowels (A) to the front panel with the use of glue. Next screw 3x 25mm screws securing the top inside panel to the front panel.

STEP 5

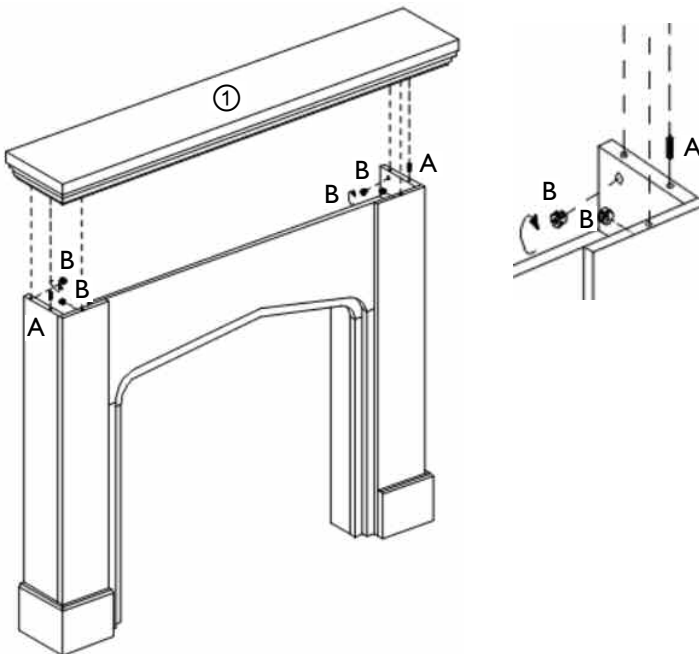


Fixings
C x 4 PCS

Parts
1

Prepare the top mantle (1) by screwing 4x cam bolts (C) into position.

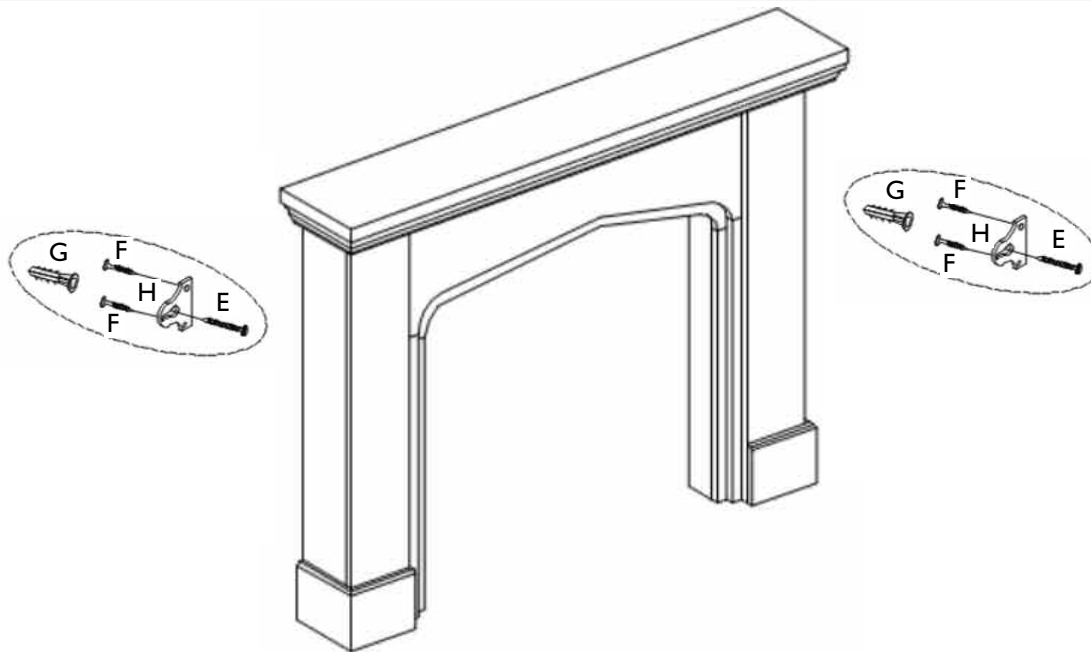
STEP 6



Fixings
A x 2 PCS
B x 4 PCS

Parts
1

Insert 2 cam locks (B) into each leg. The dowel joints (A) need to be glued in at each end of the surround. Connect the top mantle to the surround, making sure all 6 inserts are in their correct position. Once home, all 4 cam locks (B) can be tightened into position.



Fixings
 E x 2 PCS
 F x 4 PCS
 G x 2 PCS
 H x 2 PCS

With a pencil, mark out the desired height where you would like the mirror brackets (H) to be situated on the rear of the legs. To avoid splitting the leg, pre drill the bracket holes with a 2mm drill bit. Now attach the brackets to the legs using the 4x19mm screws (F). Once the brackets are in position, centre and level the hearth into its final fitting position. Position the surround on the hearth to correspond with the header/fireplace lintel, mark with a pencil on the wall where you wish to drill. Remove the surround and prepare the wall from the marked positions. If using the fixings supplied, drill a hole in the wall using a 6mm drill bit. If not, use a suitable drill bit for the wall plugs you are using. Insert the wall plugs (G) into position. Offering the surround back up into position against the wall, you are now able to secure the surround to the wall using the 2x38mm screws (E).

6.0 CLEANING/ FINISHING

Before carrying out any of the following operations, ensure that the appliance is OFF and completely cold. Regularly clean around the appliance to ensure that dust, fluff, pet hair etc, are kept to a minimum. There are no other specific requirements for care, other than regular cleaning of the general surround.

A wipe with a dry cloth is normally sufficient. **DO NOT** use abrasive cleaners as they can damage the finish. Test on a hidden part before cleaning. Clean only in the direction of the grain. Regularly check the surround is securely fixed in position.

7.0 GUARANTEE - TERMS AND CONDITIONS

The 3 year guarantee commences from the date of purchase, provided that the terms and conditions are adhered to:

Registration is not required.

1. For any claim to be made within the 3 years from date of purchase you will be required to provide and supply us with your proof of purchase.

Making a claim is easy.

If you wish to make a claim under our 3 year guarantee and all the terms and conditions for your product have been met then please submit the following information for the attention of the 3G Service Department at the address below. Alternatively, you can email or fax. Please note that this does not affect your statutory rights.

Focal Point Fires plc, 3G Service Department, Reid Street, Christchurch, Dorset, BH23 2BT.
 Alternatively email: 3g@focalpointfires.co.uk or fax. 01202 499326.

Details required:

1. Name, full address including post code and contact telephone number.
2. Receipt of purchase or credit card statement.