

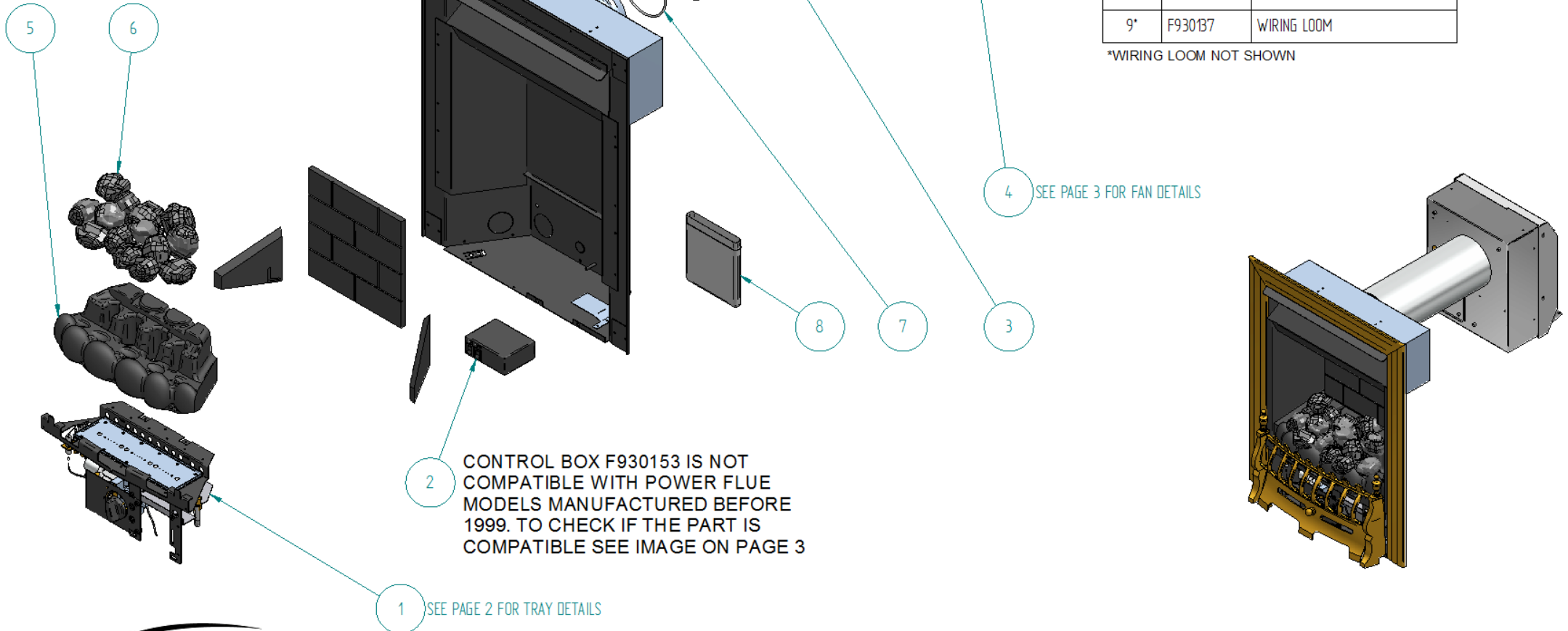
IMPORTANT: PLEASE NOTE IF YOUR FAN FLUE FIRE HAS A SQUARE FLUE PIPE THEN ALL SPARE PARTS ARE OBSOLETE

SLIMLINE POWERFLUE

Item Number	FPF Part No.	Title
1	TRAY003	BURNER TRAY ASSY
2	F930130	CONTROL BOX - PEKTRON - P-FLUE
3	F720085	FLUE PIPE - FANFLUE
4	FAN001	FAN BOX ASSY
5		S/L COAL MATRIX
6	F780094	COAL SET (15) - SLIMLINE
7	F760223	O-RING 100mm x 3mm
8	KIT020	INSTRUCTION KIT - POWAFLUE
9*	F930137	WIRING LOOM

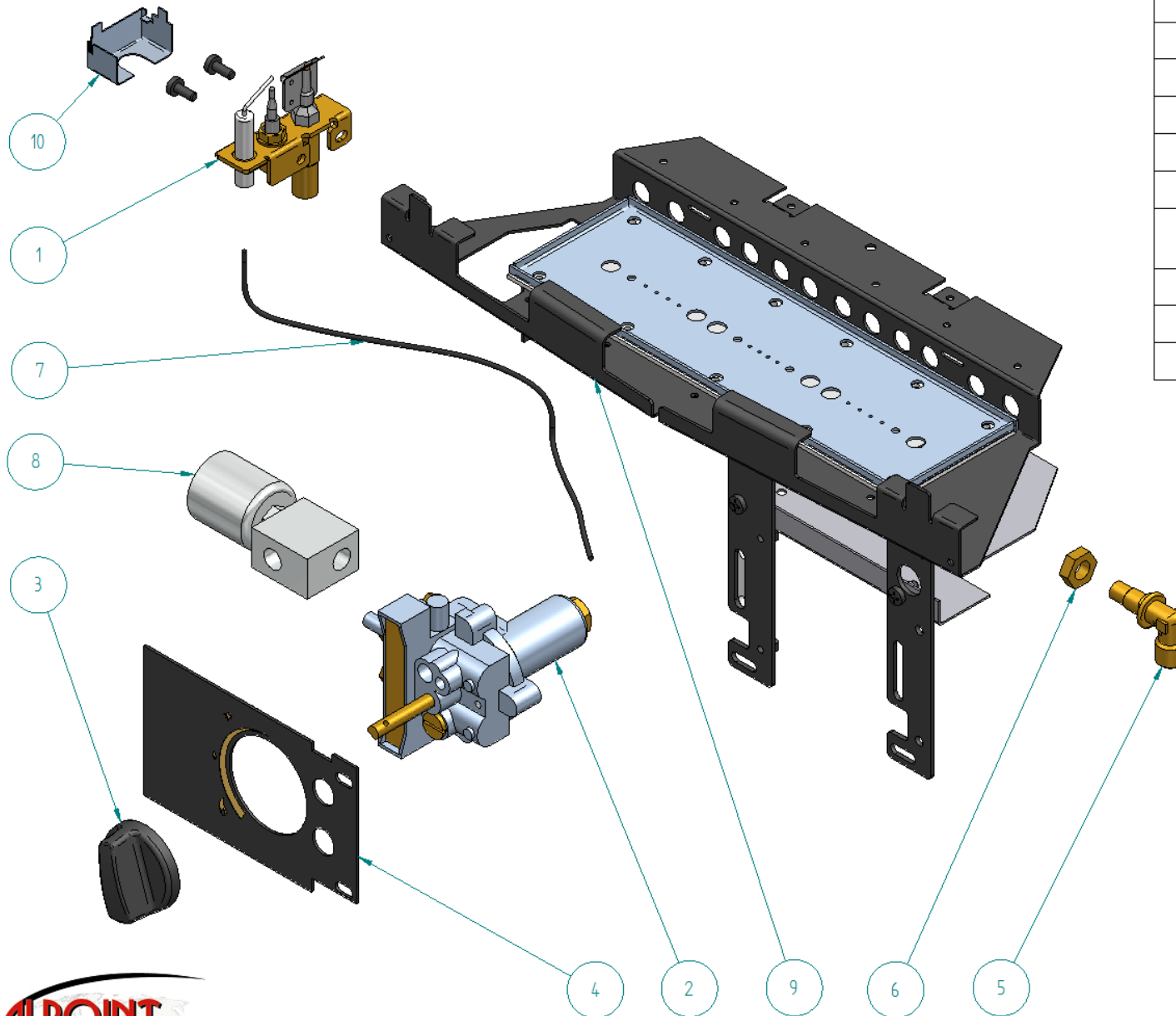
*WIRING LOOM NOT SHOWN

FOR ALL CERAMIC COAL SPARES OPTIONS ETC. SEE PAGE 4



TRAY003 SLIMLINE POWERFLUE TRAY ASSEMBLY

Item Number	FPF Part No.	Title
1	F730057	ODS - OP9090 - NG
2	F730076	VALVE NGC SIDE 750mm LEAD
3	F870022	REDUCED HEIGHT KNOB
4	F710404	DATA PLATE - SLIMLINE
5	F730062	INJECTOR 0.78
6	F760168	LOCKNUT 1/8" BSP ZINC PLATE
7	F750081	HT LEAD 350mm - FRONT FACING
8	F730017	SOLENOID VALVE - RFF/02 HI FLOW
9	TRAY001	SLIMLINE TRAY
10	F710961	LINT ARRESTOR
11*		MAYON TOP PLATE



FAN001 COMPLETE FAN - FULL DEPTH

Item Number	FPF Part No.	Title
1	F711367	POWER FLUE FAN BOX ASSY
2	F711366	FAN FLUE COVER
3	F930154	PRESSURE SWITCH
4	F930153	FAN
5	F930015	RESISTOR LOOM - SLIMLINE
6	F700065	SILICON TUBING
7	F930125	THERMAL TRIP SWITCH

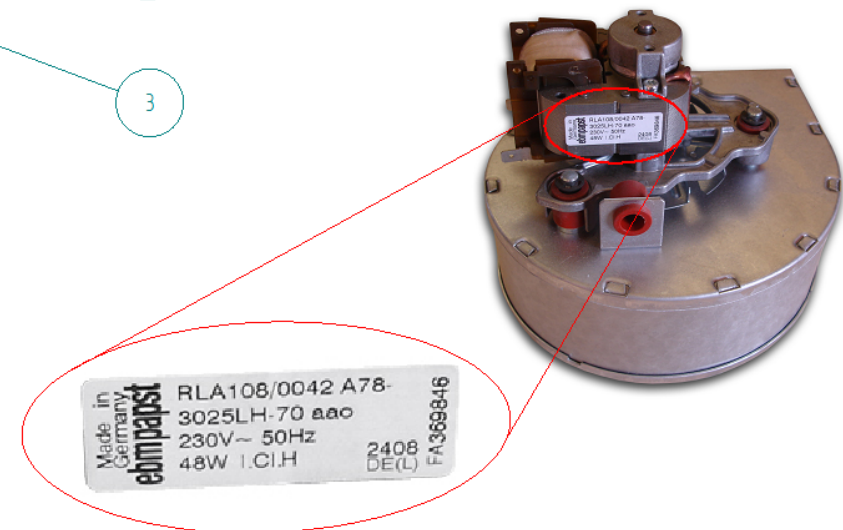
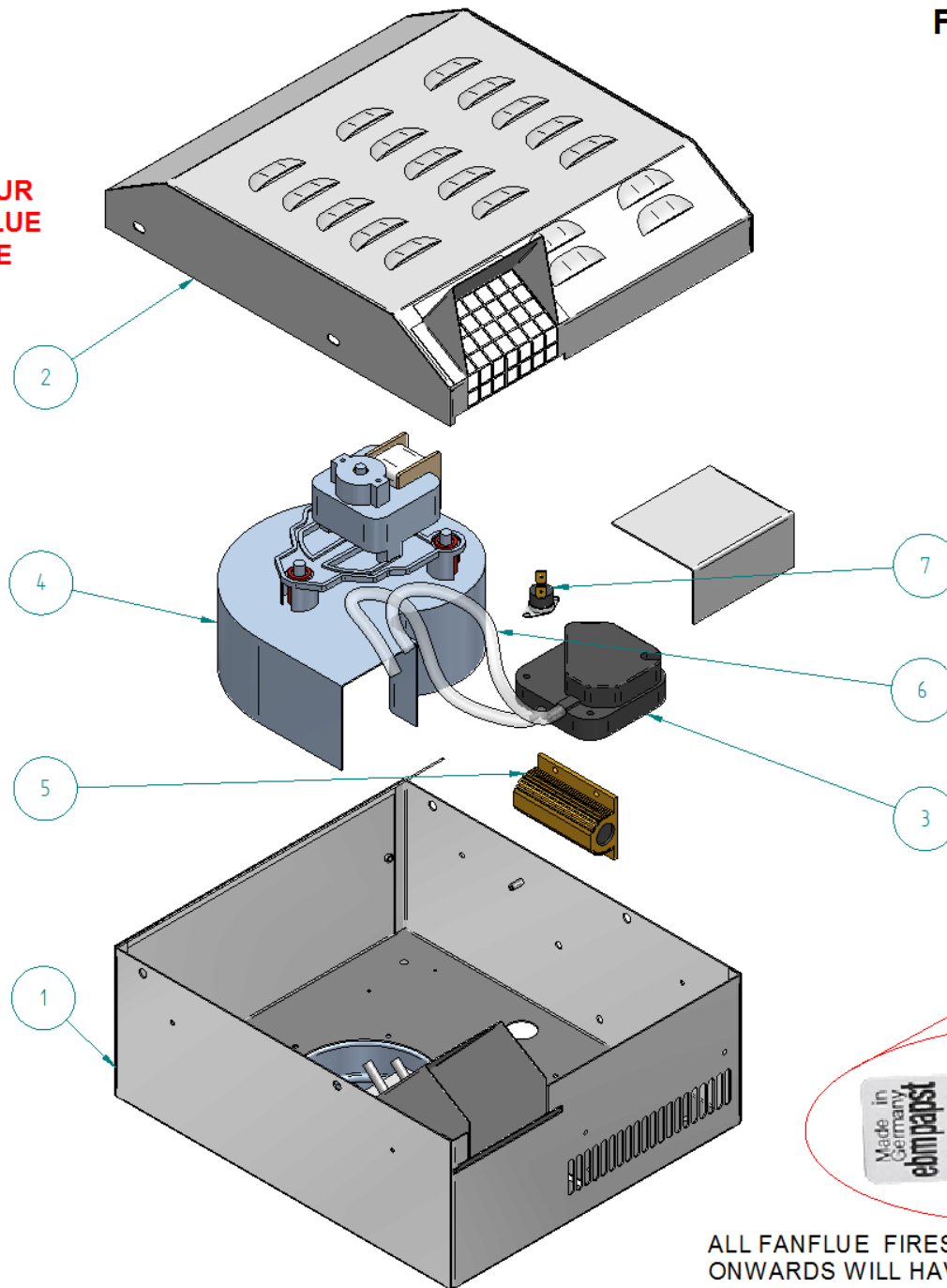
IMPORTANT: PLEASE NOTE IF YOUR FAN FLUE FIRE HAS A SQUARE FLUE PIPE THEN ALL SPARE PARTS ARE OBSOLETE

FAN COVER F711366 IS NOT COMPATIBLE WITH POWER FLUE MODELS MANUFACTURED BEFORE 1999. TO CHECK IF THE PART IS COMPATIBLE SEE IMAGE BELOW

FAN F930153 (EBM) IS NOT COMPATIBLE WITH POWER FLUE MODELS MANUFACTURED BEFORE 1999. TO CHECK IF THE PART IS COMPATIBLE SEE IMAGE BELOW

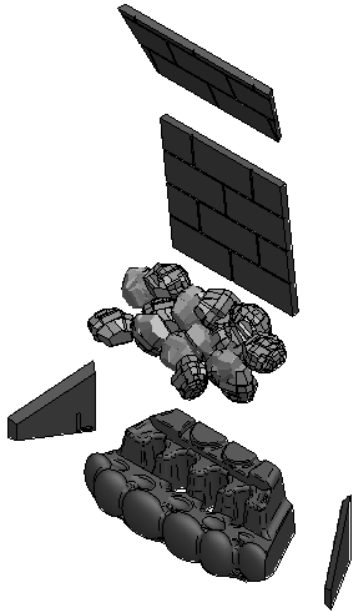
RESISTOR LOOM F930015 IS NOT COMPATIBLE WITH POWER FLUE MODELS MANUFACTURED BEFORE 1999. TO CHECK IF THE PART IS COMPATIBLE SEE IMAGE BELOW

FAN BOX F711367 IS NOT COMPATIBLE WITH POWER FLUE MODELS MANUFACTURED BEFORE 1999. TO CHECK IF THE PART IS COMPATIBLE SEE IMAGE BELOW



ALL FANFLUE FIRES MANUFACTURED FROM 1999 ONWARDS WILL HAVE AN EBM FAN CHECK LABEL TO ENSURE PARTS WILL BE CORRECT

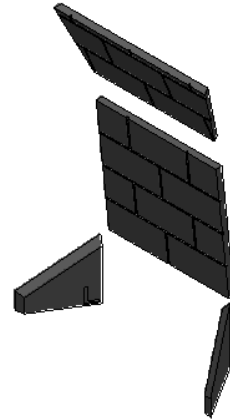
CERAMICS FOR SLIMLINE TRAY



**PART NO. COAL001 (481153)
CERAMIC SET SLIMLINE COAL**

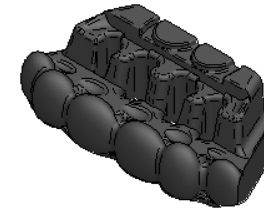
COMPRISES OF THE FOLLOWING:-

- 1. P/N F780093 (481071) MATRIX SLIMLINE COAL**
- 2. P/N F550208 (481065) PANELSET**
- 3. P/N F780094 (481044) COAL - SLIMLINE (15)**

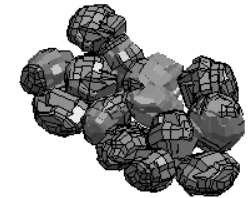


**PART NO. F550208 (481065)
PANELSET - SLIMLINE**

**NOTE:- USED ON COAL AND
PEBBLE MODELS**



**PART NO. F780093 (481071)
MATRIX - SLIMLINE - COAL**



**PART NO. F780094 (481044)
COAL SET - SLIMLINE (15
INDIVIDUAL COALS)**