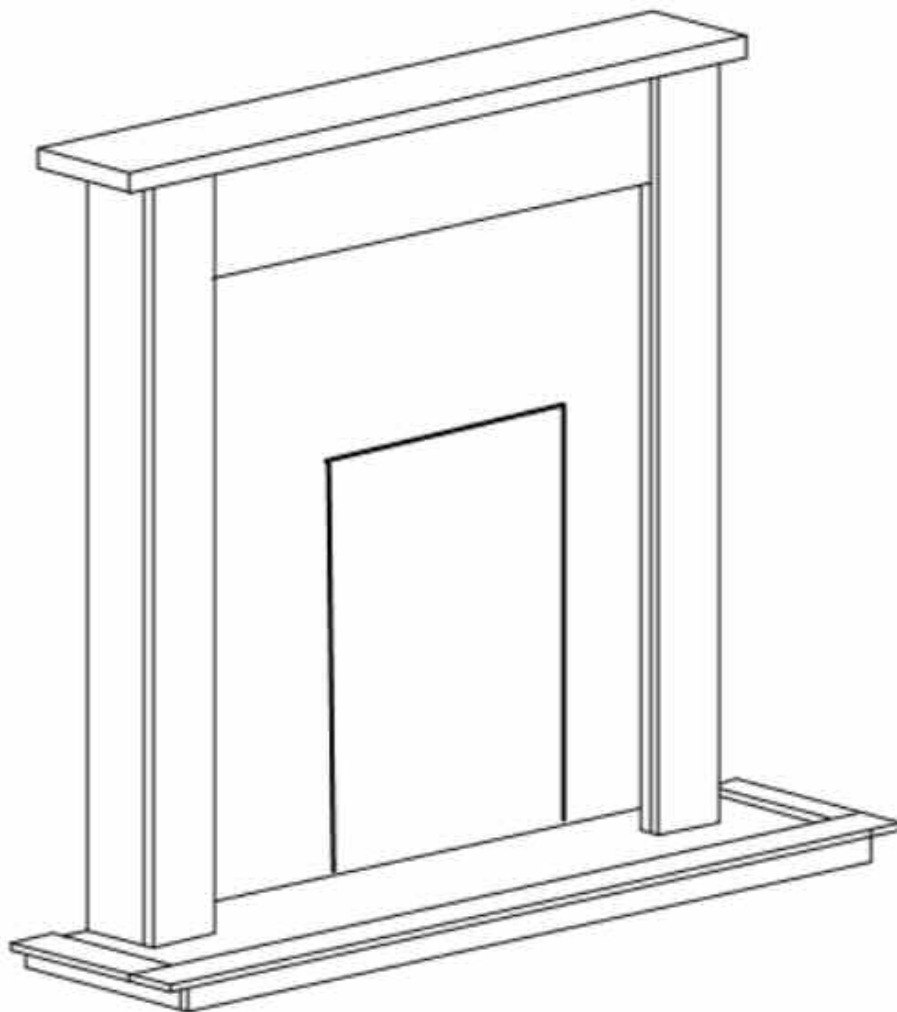


ASSEMBLY & INSTALLATION INSTRUCTIONS



MODELS COVERED BY THESE INSTRUCTIONS KINGSWOOD

Focal Point Fires plc.
Christchurch, Dorset BH23 2BT
Tel: 01202 499330
Fax: 01202 499326
www.focalpointfires.co.uk
e : sales@focalpointfires.co.uk



Questions or problems with your appliance?
Don't take it back to the store

just give us a call on **01202 588601** we're here to help
lines open between 9am and 5pm, Monday to Friday

3 YEAR GUARANTEE

SUBJECT TO TERMS & CONDITIONS

For details please see: www.focalpointfires.co.uk/tandcs or telephone
01202 588635 Option 7

Please note : Except where otherwise stated, all rights, including copy-right in the text, images and layout of this booklet is owned by Focal Point Fires plc. You are not permitted to copy or adapt any of the content without the prior written permission of Focal Point Fires plc.

All instructions must be handed to the user for safekeeping.

Revision B - 10/13

© 2013 Focal Point Fires plc.

Section	Contents	Page No.
1.0	Important notes	2
2.0	Tools required	2
3.0	Hardware & parts list	2
4.0	Assembly	3
5.0	Installation	8
6.0	Cleaning/finishing	9
7.0	Guarantee - terms and conditions	9

1.0 IMPORTANT NOTES

To ensure safe and stable installation:

1. The assembled Fire Surround can be fixed / secured to wall.
2. The wall must be sturdy and in good repair.
3. Some walls require alternative fixings (not included).
4. When drilling into the wall, check for hidden pipes and cables.
5. There are two options for construction of this surround:

A - with rebates - If you are installing this surround with a gas fire, or an electric fire where there is space in the wall to recess the fire, use parts 7. This means the laminate is up against the wall.

B - without rebates - If using this surround with an electric fire and a flat wall, do not use with rebates, instead use the spacer frame from the fire.

2.0 TOOLS REQUIRED

Cross head screwdriver PZ2 (3 inches in length or greater)







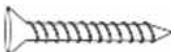

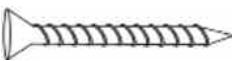

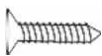



Drill, 6mm and a 2mm suitable drill bit

Pencil

Tape measure

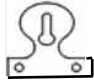

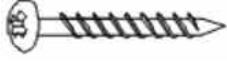









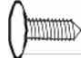





Jigsaw or fine tooth saw

3.0 HARDWARE & PARTS LIST

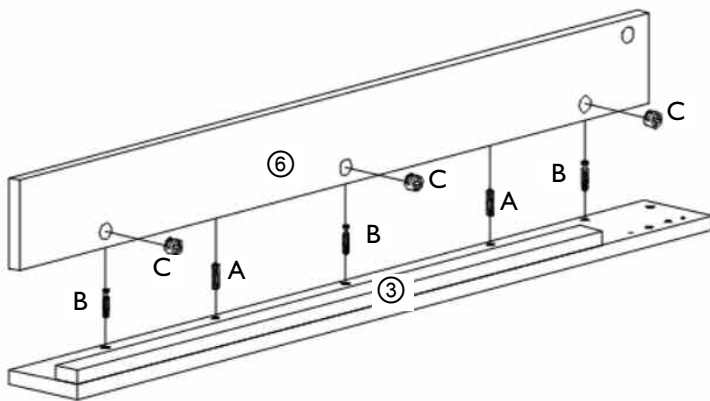
CODE	NAME	ITEM	QUANTITY	CODE	NAME	ITEM	QUANTITY
A	WOOD DOWELS (8X20mm)		16PCS	①	MANTLE TOP		1PC
B	CAM BOLTS (6X30mm)		10PCS	②	LEFT LEG		1PC
C	CAM LOCKS (15X12mm)		10PCS	③	RIGHT LEG		1PC
D	SCREWS (8X25mm)		4PCS	④	FRONT PANEL		1PC
E	SCREWS (8X38mm)		2PCS	⑤	LEFT SIDE PANEL		1PC
F	SCREWS (3X20mm)		4PCS	⑥	RIGHT SIDE PANEL		1PC
G	WALL PLUGS (6X25mm)		2PCS	⑦	INSIDE PANELS		3PC

3.0 HARDWARE & PARTS LIST - CONTINUED

GB IE

CODE	NAME	ITEM	QUANTITY	CODE	NAME	ITEM	QUANTITY
H	MIRROR PLATES (45X43mm)		2PCS	⑧	TOP PANEL		IPC
I	SCREWS (8X44mm)		9PCS	⑨	FRONT FACE PANEL		IPC
J	GLUE (10g)		1PCS	⑩	LEFT FACE PANEL		IPC
K	ALLEN KEY (4X57mm)		1PCS	⑪	RIGHT FACE PANEL		IPC
L	WOOD DOWELS (8X30mm)		20PCS	⑫	FRONT BOTTOM PANEL		IPC
M	SCREWS (3X32mm)		15PCS	⑬	LEFT BOTTOM PANEL		IPC
N	ROUND HEAD SCREWS 15mm		9PCS	⑭	RIGHT BOTTOM PANEL		IPC
				⑮	BACK PANEL		IPC
				⑯	TRIANGLE PANELS		4PCS
				⑰	LAMINATE BACK PANEL		IPC
				⑱	LAMINATE HEARTH PANEL		IPC

4.0 ASSEMBLY

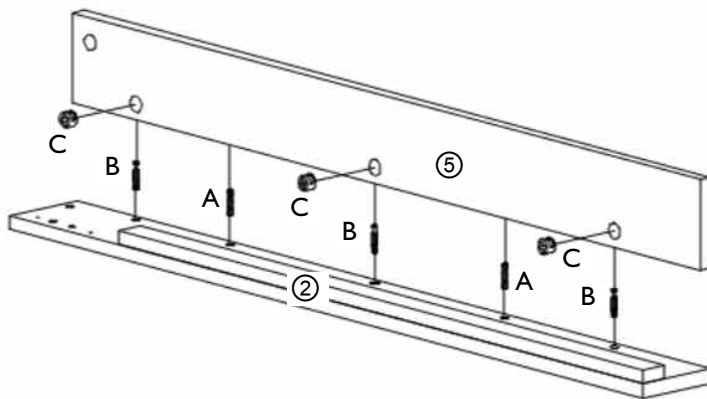


STEP 1

Fixings	Parts
A x 2 PCS	3
B x 3 PCS	6
C x 3 PCS	

Insert 3x cam locks (C) into the right hand side panel (6), ensuring that the cross heads are facing outwards so it can be tightened later on. Using a cross head screwdriver, screw the 3x cam bolts (B) into the right leg. Offer the side panel up to the leg to make sure the inserts are in the correct orientation making sure that the cam locks are facing into the right leg and the leg is not upside down. Next insert the wooden 20mm dowels (A) into the right leg, using a small amount of glue (C). With the glue on both ends of the dowel joints, insert the right panel onto the right leg. When in the correct position, you are able to tighten the cam locks with a PZ2 screw driver or the allen key supplied (K).

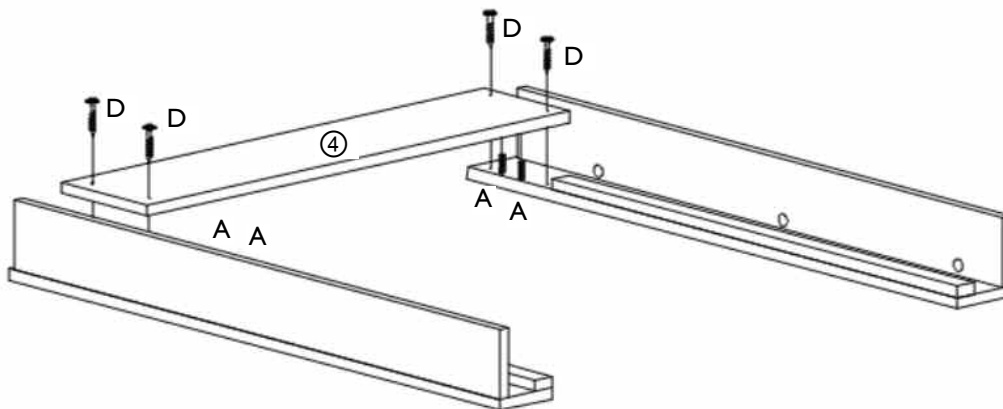
STEP 2



Fixings	Parts
A x 2 PCS	2
B x 3 PCS	5
C x 3 PCS	

To assemble the left side please follow the same method used to complete the right hand side in the previous section.

STEP 3



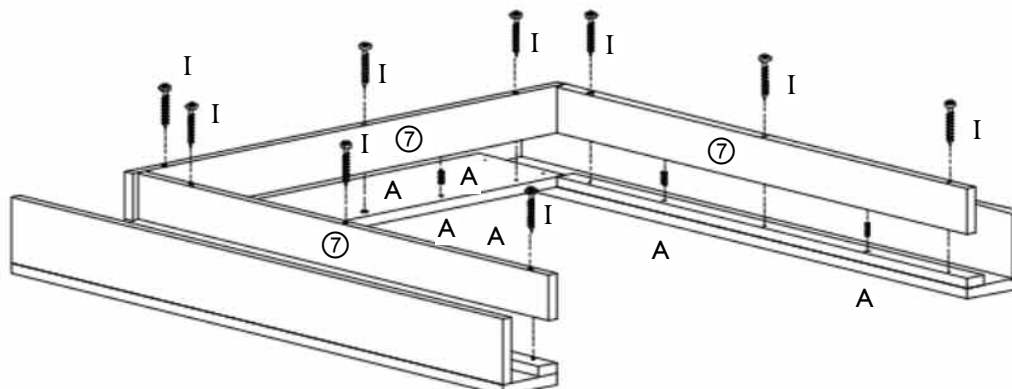
Fixings	Parts
A x 4 PCS	4
D x 4 PCS	

Gently lay both legs you have prepared onto a suitable protected surface. Be extremely careful not to scratch the front edges of the legs. **DO NOT DRAG THE LEGS!** Make sure that the legs are lifted everytime they are moved to avoid them from being damaged.

Now lay the left hand leg on your right and the right hand leg on your left, both facing downwards. Insert 2x 20mm dowels with glue (A) into the left and right hand legs. Now position the front panel onto the dowel joints in the legs to ensure the legs are at the correct distance apart also checking that the front panel is the correct way around with the 4 holes positioned on the bottom edge. Next glue the dowels into position. Once in you are then able to screw the 4 x25mm screws (D) into position.

STEP 4

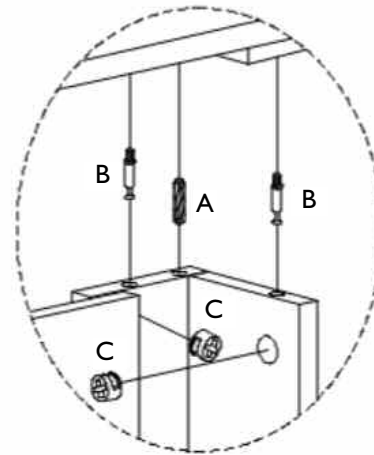
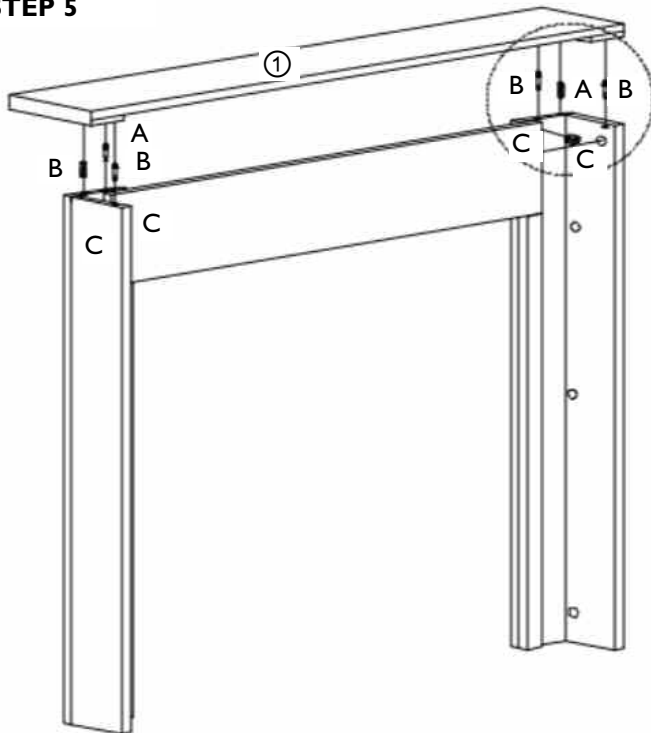
If fitting with a rebate. If rebates are not being used go to step 5



Fixings	Parts
A x 6 PCS	7
I x 9 PCS	

Now join all 3 inside panels (7) to the rear of the surround via 6 dowels. Once glued into position screw 9x 44mm screws (I) to secure the surround together. Ensure the labels on the rebates are facing outwards.

STEP 5

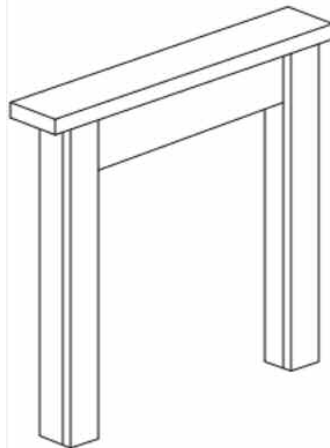
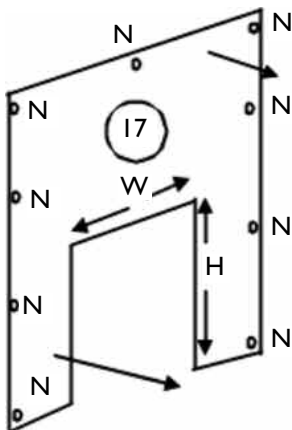


Fixings
 A x 2 PCS
 B x 4 PCS
 C x 4 PCS

Parts
 1

Insert 2 cam locks (C) into each leg. Next prepare the mantle top (1) by screwing all 4 cam bolts (B) into position. The dowel joints (A) need to be glued in at both ends of the top mantle. Connect the top mantle to the surround, making sure all 6 inserts are in their correct position. Once home, all 4 cam locks (C) can be tightened into position.

STEP 6



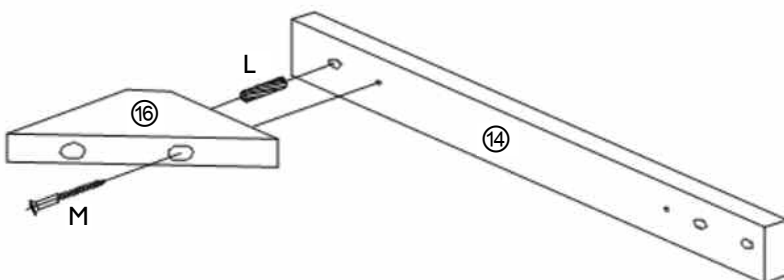
Fixings
 N x 9 PCS

Parts
 17

Cutting & Fitting the Laminate Backpanel

Using a pencil, mark out a rectangular shape on the Backpanel (17) to 570mm H x 419mm W (sizes indicated may vary depending on the fire being used - please check) and then cut out the aperture with a fine toothed saw or jigsaw. Drill the laminate panel at the edges to enable to attach to the back of the cleats/surround. The holes should be 1-2mm oversized, (larger than the screws to be used) to allow for expansion. Gently, screw the panel into position with the 9x15mm Round Headed Screws (N) **DO NOT OVERTIGHTEN!**

STEP 7

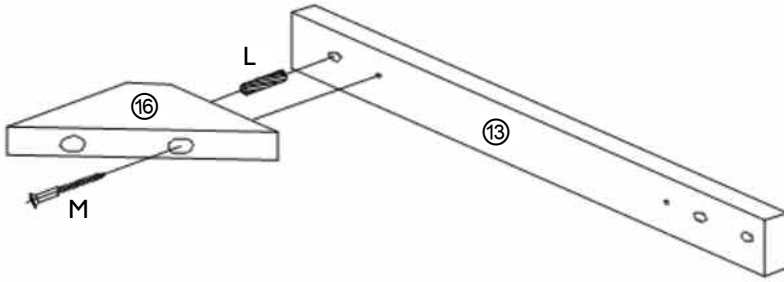


Fixings
 L x 1 PC
 M x 1 PC

Parts
 16
 14

Connect a triangular panel (16) to the right bottom panel (14) with a dowel joint (L) and glue (J). Next screw the two pieces together with a 32mm screw (M).

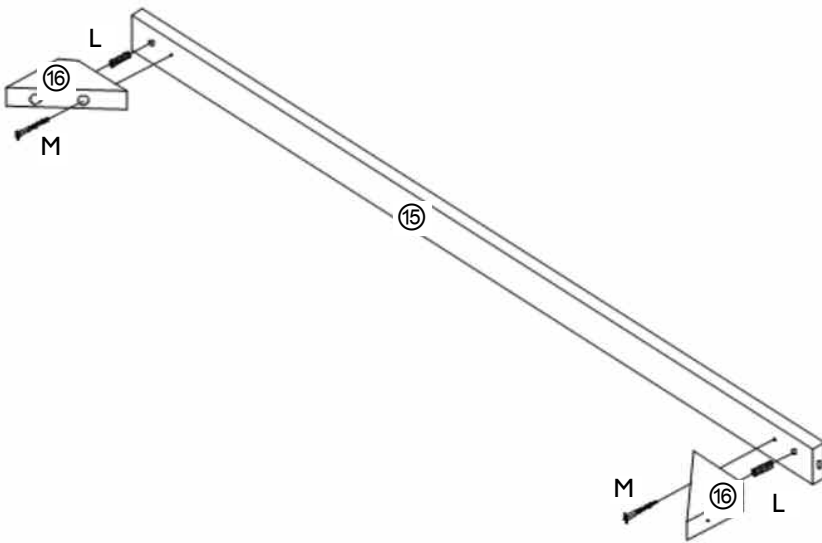
STEP 8



Fixings	Parts
L x 1 PC	13
M x 1 PC	16

Prepare the left bottom in the same way.

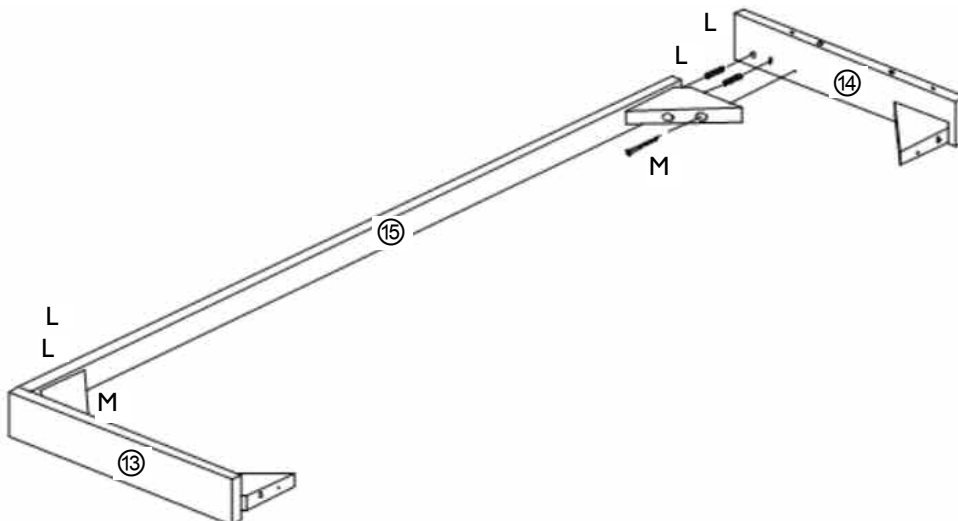
STEP 9



Fixings	Parts
L x 2 PCS	15
M x 2 PCS	16

Join 2 triangle panels (16) to both ends of the back panel (15). Again glue the dowels (L) into position and then screw the two components together with 2x 32mm screws (M).

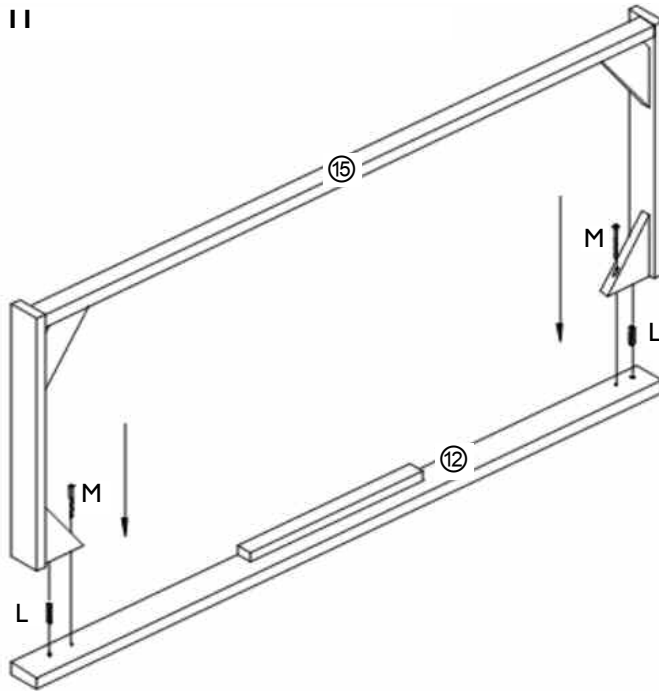
STEP 10



Fixings	Parts
L x 4 PCS	13
M x 2 PCS	14
	15

Connect both ends of the hearth to the back panel with 2 dowel joints (L) in each end and 1x 32mm screw (M).

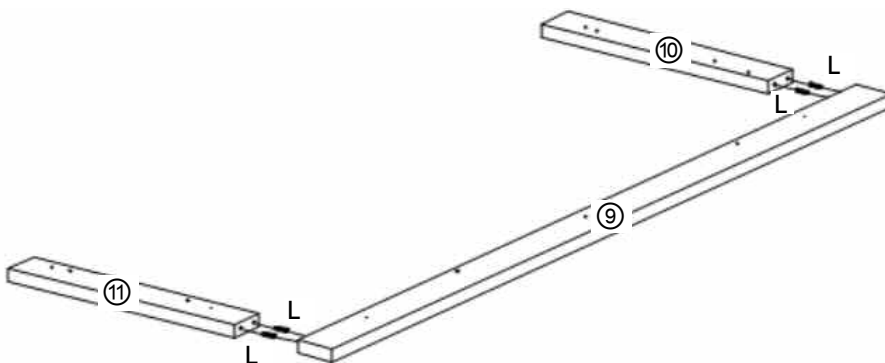
STEP 11



Fixings	Parts
L x 2 PCS	12
M x 2 PCS	15

Next join the front bottom panel (12) to the rest of the hearth using the same method as previously. Ensure that the front bottom panel is connected the correct way up with all the screw holes facing upwards.

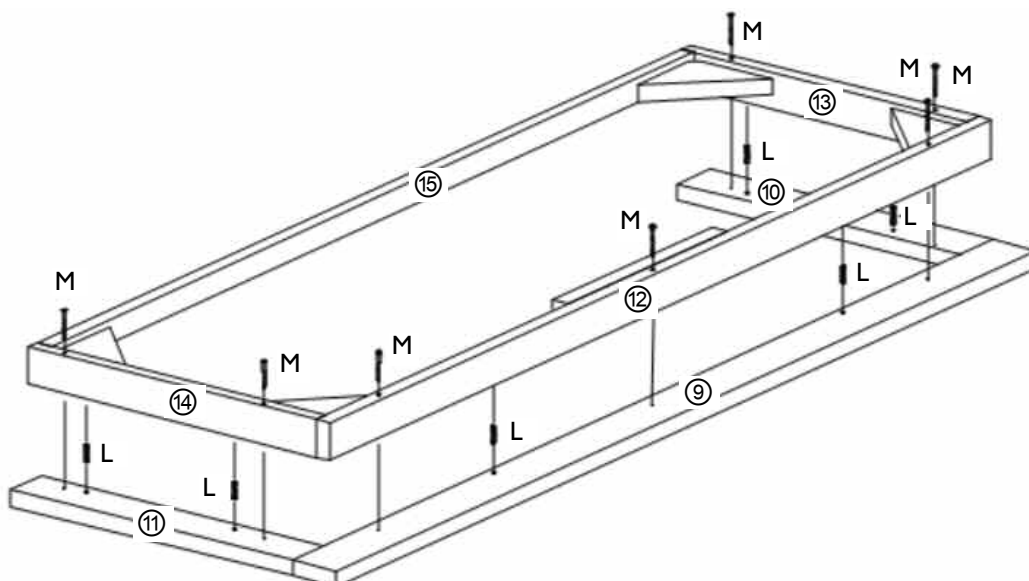
STEP 12



Fixings	Parts
L x 4 PCS	9
	10
	11

Connect both left (10) and right hand face panels (11) to the front face panel (9) via 2x dowel joints (L) with glue at both ends.

STEP 13



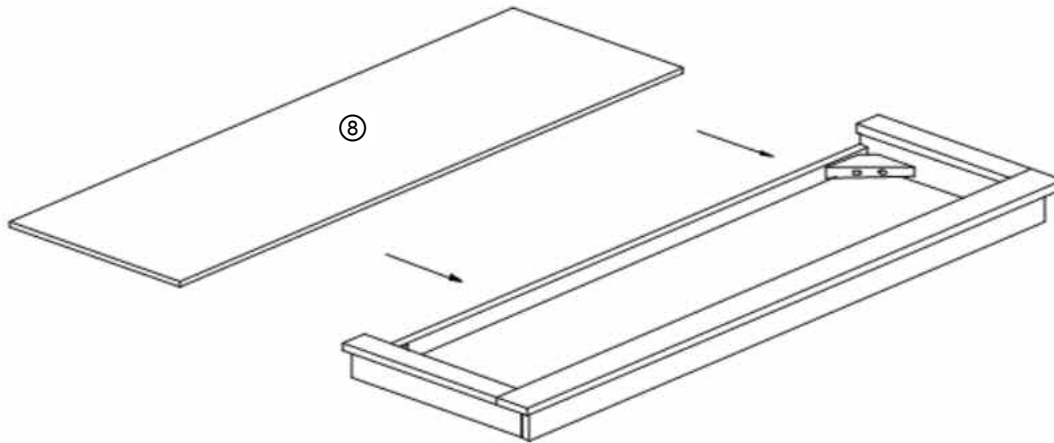
Fixings	Parts
L x 6 PCS	9
M x 7 PCS	10
	11
	12
	13
	14
	15

With the face panels upside down insert 6x dowel pins (L) with glue (J). Next install the hearth on top, so you are able to screw through the hearth and into the face panel with 7x 32mm screws (M).

4.0 ASSEMBLY - CONTINUED

GB IE

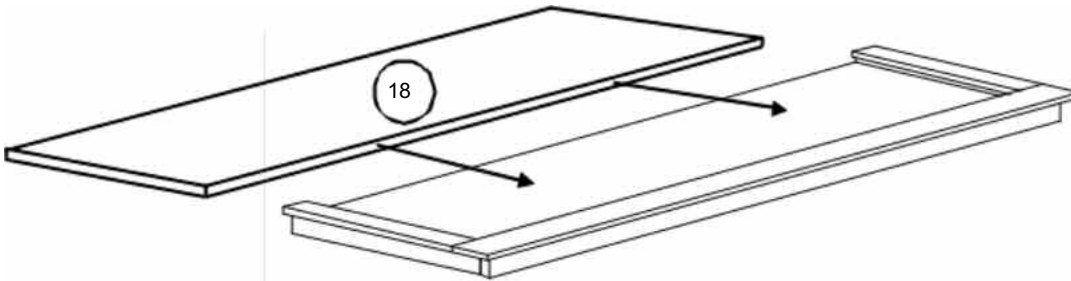
STEP 14



Parts
8

Lay the hearth tray on the floor and slide the top panel (8) into position.

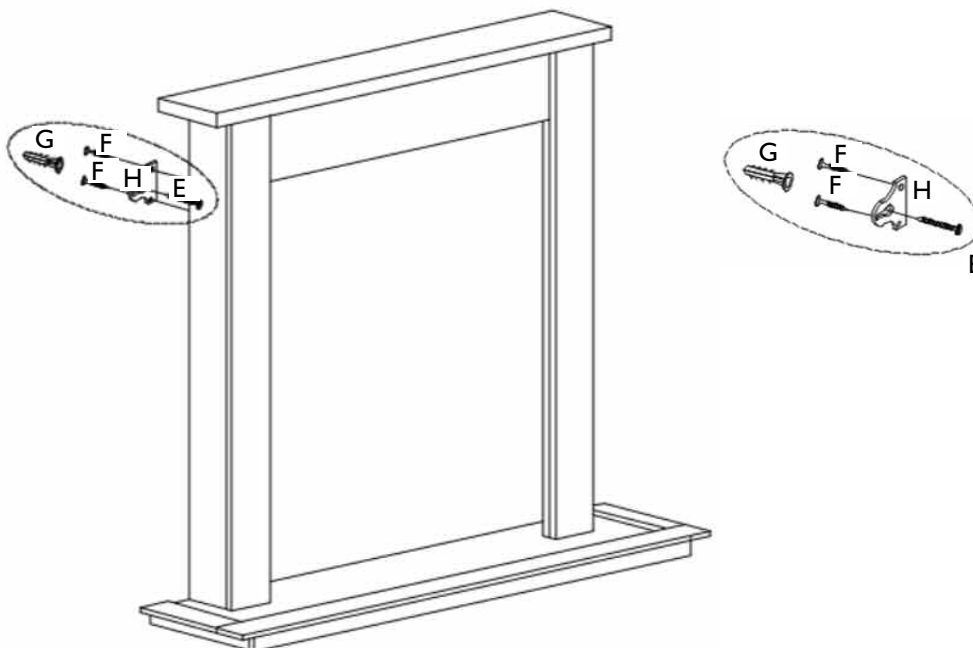
STEP 15



Parts
18

Slide the hearth laminate (18) in to sit on top of the top panel.

5.0 INSTALLATION



Fixings
E x 2 PCS
F x 4 PCS
G x 2 PCS
H x 2 PCS

With a pencil mark out the desired height in which you would like the mirror brackets (H) to be situated on the rear of the legs. To avoid splitting the leg, pre drill the bracket holes with a 2mm drill bit. Now attach the brackets to the legs using the 3x20mm screws (F). Once the brackets are in position, centre and level the hearth into its final fitting position. Position the surround on the hearth to correspond with the header/fireplace lintel, mark with a pencil on the wall where you wish to drill. Remove the surround from the position and prepare the wall from the marked positions. If using the fixings supplied, drill a pilot hole in the wall using a 6mm drill bit. If not, use a suitable drill bit for the wall plugs you are using. Insert the wall plugs into position offering the surround back up into position against the wall. You are now able to secure the surround to the wall using the 8x38mm screws (E).

6.0 CLEANING/ FINISHING

GB IE

Before carrying out any of the following operations, ensure that the appliance is OFF and completely cold. Regularly clean around the appliance to ensure that dust, fluff, pet hair etc, are kept to a minimum. There are no other specific requirements for care, other than regular cleaning of the general appliance.

A wipe with a dry cloth is normally sufficient. **DO NOT** use abrasive cleaners as they can damage the finish. Test in a hidden part before cleaning. Clean only in the direction of the grain. Regularly check the surround is securely fixed in position.

7.0 GUARANTEE - TERMS AND CONDITIONS

The 3 year guarantee commences from the date of purchase, provided that the following 3 terms and conditions are adhered to:

Registration is not required.

1. For any claim to be made within the 3 years from date of purchase you will be required to provide and supply us with your proof of purchase.
2. Your gas fire must have been commissioned by a CORGI/Gas Safe* registered installer, evidence of which you must provide together with the CORGI/Gas Safe* registration number.
3. Your appliance must have been serviced annually, irrespective of use, by a CORGI/Gas Safe* registered installer, evidence of which must be provided, such as the receipt.

Please note all consumable items such as any ceramics including: coals, pebbles, the matrix, front strips, side cheeks, rear panels and tapered rear panels are not covered by the 3 year guarantee. For all Electric fires purchased the 3 year guarantee commences from the date of purchase, providing that you can supply the proof of purchase. This does not cover consumable items such as pebbles, coals or light bulbs.

Making a claim is easy.

If you wish to make a claim under our 3 year guarantee and all the terms and conditions for your product have been met then please submit the following information for the attention of the 3G Service Department to the address below. Alternatively, you can email or fax. Please note that this does not affect your statutory rights.

Focal Point Fires plc, 3G Service Department, Reid Street, Christchurch, Dorset, BH23 2BT.
Alternatively email: 3g@focalpointfires.co.uk or fax. 01202 499326.

Details required:

1. Name, full address including post code and contact telephone number.
2. Receipt of purchase or credit card statement.
3. Original installers CORGI/Gas Safe* registration number (gas fires only).
4. Annual service receipt for every 12 months (gas fires only).

*Gas Safe Register replaced CORGI as the gas registration body in Great Britain and the Isle of Man on 1st April 2009.

Disclaimer:

The components of this mantle are ash veneered MDF. As such, it is likely that there will be variations in the appearance, texture, grain structure and colour etc., of the individual components.

Caution: Wood products may produce splinters, so care should be taken during assembly.

Warning: This mantle is not designed for heavy use. Care should be taken to distribute weight evenly.

Note: Wall plugs supplied are for masonry or solid wall fixing only. For any other type of wall seek professional advice.

As our policy is one of continuous improvement and development, we hope therefore you understand we must retain the right to amend details and/or specifications without prior notice.