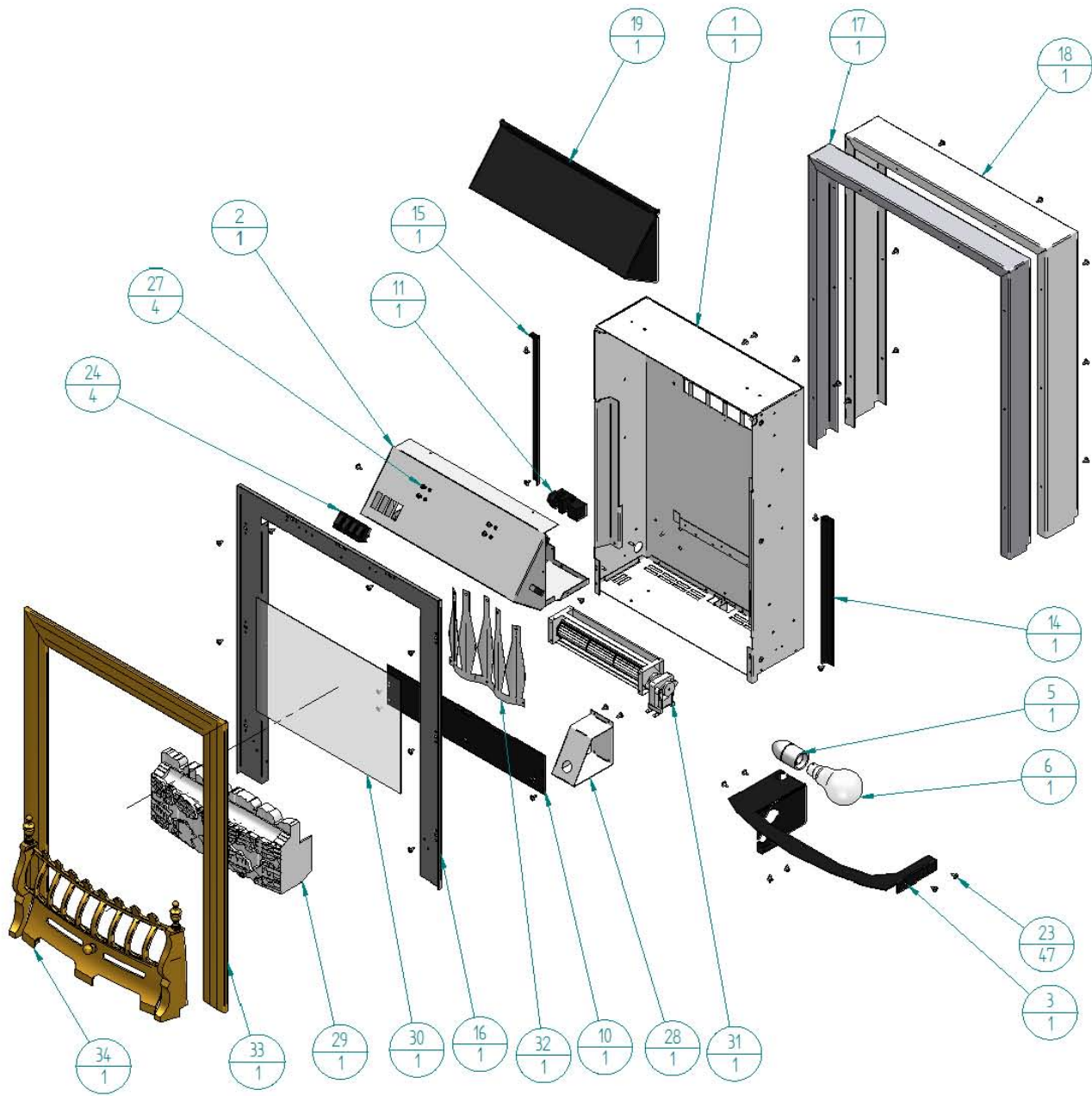


D  
C  
B  
A



Item Number	Document Number	Title	Quantity
1	F550037	FIREBOX ASSY LULWORTH ELECTRIC	1
2	F550036	HEATER HOOD ASSY.	1
3	F710169	BED SUPPORT	1
5	F930007	BULB HOLDER UK	1
6	F930053	100W CLEAR BULB	1
10	F710170	FRONT PANEL	1
11	F930064	PLUG CONNECTOR CLAMP	1
14	F710205	LH SCREEN CLAMP	1
15	F710206	SCREEN CLAMP RH	1
16	F710053	ELEC FRAME CARRIER	1
17	F710261	50mm Spacer Frame	1
18	F710262	75mm Spacer Frame	1
19	F710159	VOGUE ELEC. HOOD	1
23	F760167	SCREW No8x3/8" WASHER FACED NIBBED S/TAP BLACK	47
24	F930004	SWITCHES	4
27	F760100	SCREW No8 x 3/8 POZI PAN HD ST BLACK	4
28	F710168	MOTOR SHROUD	1
29	F780004	FUEL BED	1
30	F940029	DIFFUSER SCREEN	1
31	F930003	FAN BLOWER	1
32	F940028	RIBBON FLAMES	1
33	F800064	TRIM SET 3 PIECE BRASS - CLIP ON	1
34	F800045	BLENHIM FRET ASSY	1

ALL DIMS IN MM DO NOT SCALE

ALL COMPONENTS TO BE FREE FROM SILICONE CONTAMINATION AND BURRS. TOLERANCES +/- 0.5 UNLESS OTHERWISE STATED. ORIGINAL PAGE SIZE A3

ALL INFORMATION REMAINS THE PROPERTY OF FOCAL POINT FIRES PLC. THE COPYING AND DISSEMINATION TO ANY OTHER PARTIES IS NOT PERMITTED WITHOUT EXPRESS PERMISSION OF THE ABOVE



LOC. CHANGE & ACTIONED BY	DATE	ISS.
USED ON VOGUE - RIBBON ELECTRIC		DRWN:
SCALE:	MATL:	CHKD:
DATE: 24/12/2010	FIN: SEE BOM	
PART NO: F500113	SHT 2 OF 2	
DESC: MAIN ASSY	A	