

ALL DIMS IN MM  
DO NOT SCALE

ALL COMPONENTS TO BE FREE FROM SILICONE CONTAMINATION AND BURRS.  
TOLERANCES +/- 0.5 UNLESS OTHERWISE STATED. ORIGINAL PAGE SIZE A3

ALL INFORMATION REMAINS THE PROPERTY OF FOCAL POINT FIRES PLC.  
THE COPYING AND DISSEMINATION TO ANY OTHER PARTIES IS NOT PERMITTED WITHOUT EXPRESS PERMISSION OF THE ABOVE.



|                           |               |                  |       |
|---------------------------|---------------|------------------|-------|
| FIRST ISSUE               |               | 18/04/07         | A     |
| LOC. CHANGE & ACTIONED BY |               | DATE             | ISS.  |
| USED ON LULWORTH & HALIOS |               | DRWN: UStevens   |       |
| SCALE: 1:5                | MATL: SEE BOM | CHKD:            |       |
| DATE: 24/12/2010          | FIN:          | PART No: F500011 |       |
| DESC: MAIN ASSY           |               | SHT 1 OF 2       | ISS A |

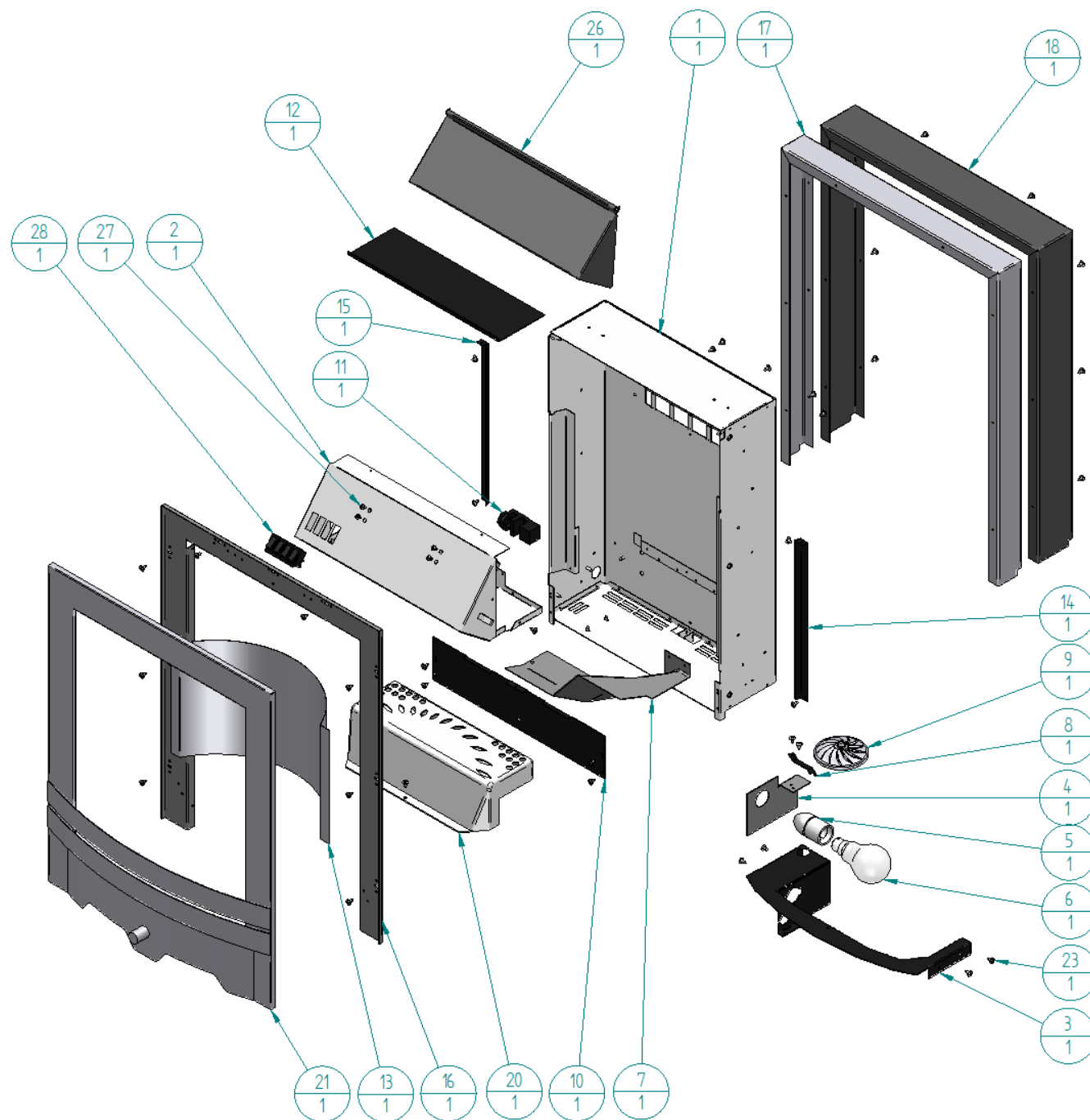
1

2

3

4

D  
C  
B  
A



| Item Number | Document Number | Title  | Quantity |
|-------------|-----------------|--|----------|
| 1           | F550037         | FIREBOX ASSY LULWORTH ELECTRIC                 | 1        |
| 2           | F550036         | HEATER HOOD ASSY.                              | 1        |
| 3           | F710169         | BED SUPPORT                                    | 1        |
| 4           | F710504         | HALIOS/LUL BODY SPIN BRKT                      | 1        |
| 5           | F930007         | BULB HOLDER UK                                 | 1        |
| 6           | F930146         | 60W CLEAR BULB                                 | 1        |
| 7           | F830034         | HALIOS REFLECTOR                               | 1        |
| 8           | F710503         | SPINNER BRKT                                   | 1        |
| 9           | F711351         | SPINNER DOME - WHITE                           | 1        |
| 10          | F710170         | FRONT PANEL                                    | 1        |
| 11          | F930064         | PLUG CONNECTOR CLAMP                           | 1        |
| 12          | F710507         | HALIOS FINGER GUARD                            | 1        |
| 13          | F710420         | ELEC CURVED BACK                               | 1        |
| 14          | F710205         | LH SCREEN CLAMP                                | 1        |
| 15          | F710206         | SCREEN CLAMP RH                                | 1        |
| 16          | F710053         | ELEC FRAME CARRIER                             | 1        |
| 17          | F710261         | 50mm Spacer Frame                              | 1        |
| 18          | F710262         | 75mm Spacer Frame                              | 1        |
| 20          | F780056         | FUEL BED - LULWORTH ELECTRIC                   | 1        |
| 21          | F820016         | FRAME ASSY - STAINLESS STEEL                   | 1        |
| 23          | F760167         | SCREW No8x3/8" WASHER FACED NIBBED S/TAP BLACK | 1        |
| 27          | F760100         | SCREW No8 x 3/8 POZI PAN HD ST BLACK           | 1        |
| 28          | F930121         | SWITCH - ON / OFF                              | 1        |
| 29*         | F710159         | VOGUE ELEC. HOOD                               | 1        |



ALL DIMS IN MM  
DO NOT SCALE

ALL COMPONENTS TO BE FREE FROM SILICONE CONTAMINATION AND BURRS.  
TOLERANCES +/- 0.5 UNLESS OTHERWISE STATED. ORIGINAL PAGE SIZE A3

ALL INFORMATION REMAINS THE PROPERTY OF FOCAL POINT FIRES PLC.  
THE COPYING AND DISSEMINATION TO ANY OTHER PARTIES IS NOT PERMITTED WITHOUT EXPRESS PERMISSION OF THE ABOVE.



|                           |               |                  |
|---------------------------|---------------|------------------|
| LOC. CHANGE & ACTIONED BY | DATE          | ISS.             |
| USED ON LULWORTH & HALIOS |               | DRWN: <i>IST</i> |
| SCALE: DATE: 24/12/2010   | MATL: SEE BOM | CHKD:            |
| FIN:                      |               |                  |
| PART No: F500011          |               | ISS              |
| DESC: MAIN ASSY           | SHT 2 OF 2    | A                |

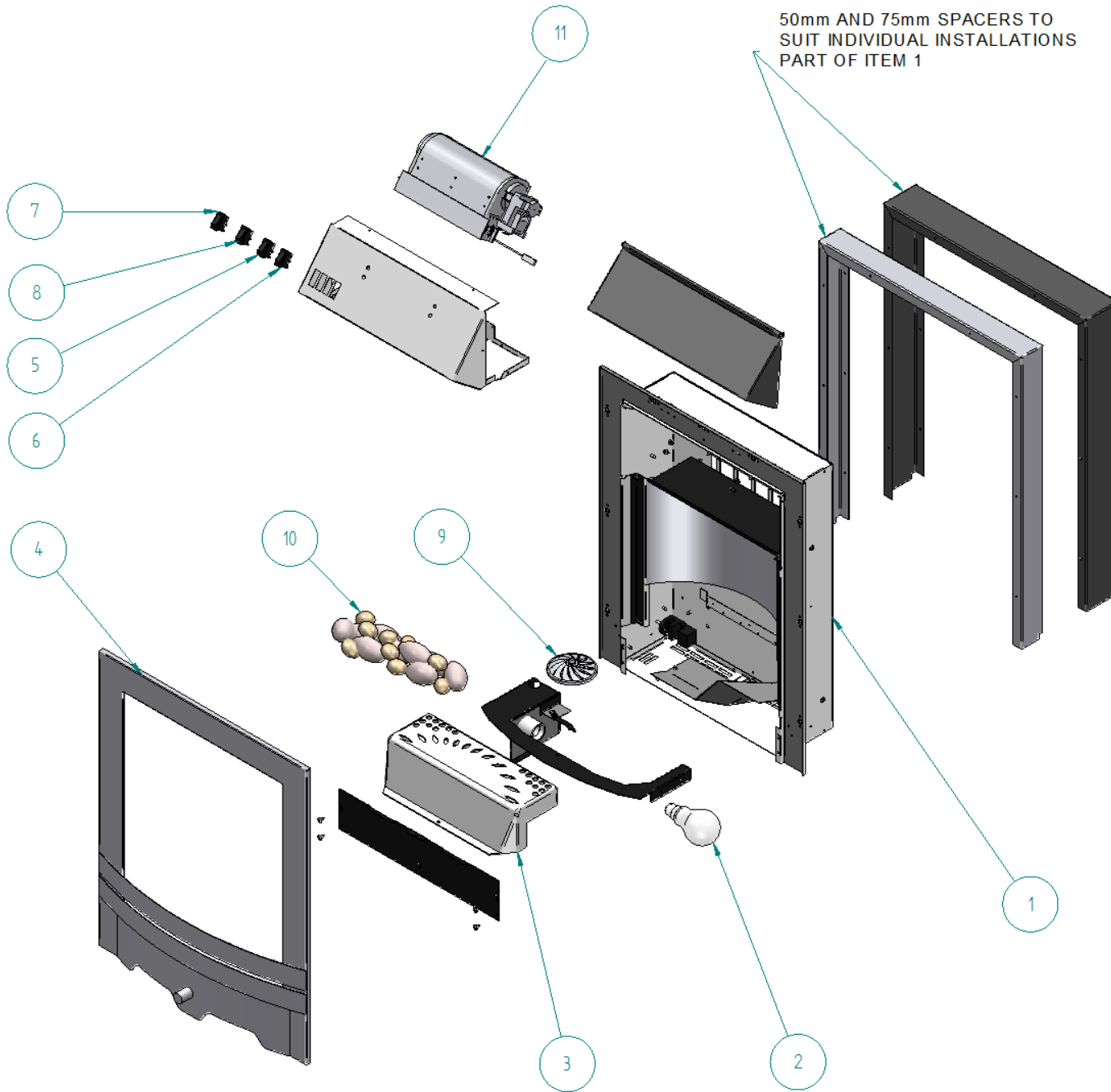
1

2

3

4

# LULWORTH ELECTRIC FIRE



| Item Number | FPF Part No. | Title                             |
|-------------|--------------|-----------------------------------|
| 1           | BOX037       | FIREBOX ASSY LULWORTH ELECTRIC    |
| 2           | F930146      | 60W CLEAR BULB                    |
| 3           | F780056      | FUEL BED - LULWORTH ELECTRIC      |
| 4           | F820016      | FRAME ASSY - STAINLESS STEEL      |
| 5           | F930123      | SWITCH - I - RED                  |
| 6           | F930124      | SWITCH - II - RED                 |
| 7           | F930121      | SWITCH - ON / OFF                 |
| 8           | F930122      | SWITCH - FAN                      |
| 9           | F71B51       | SPINNER DOME - WHITE              |
| 10          | F550089      | PEBBLES - HALIOS SET (25)         |
| 11          | F930150      | HEATER & ELEMENT - FER GAS 74-013 |

