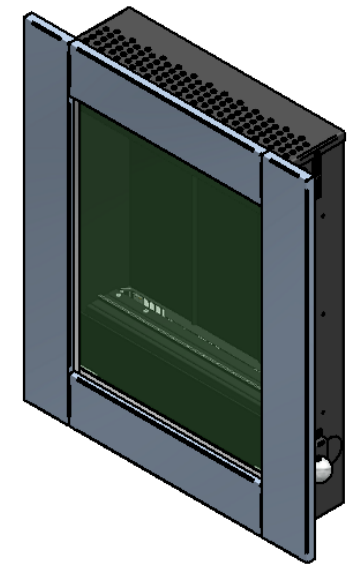
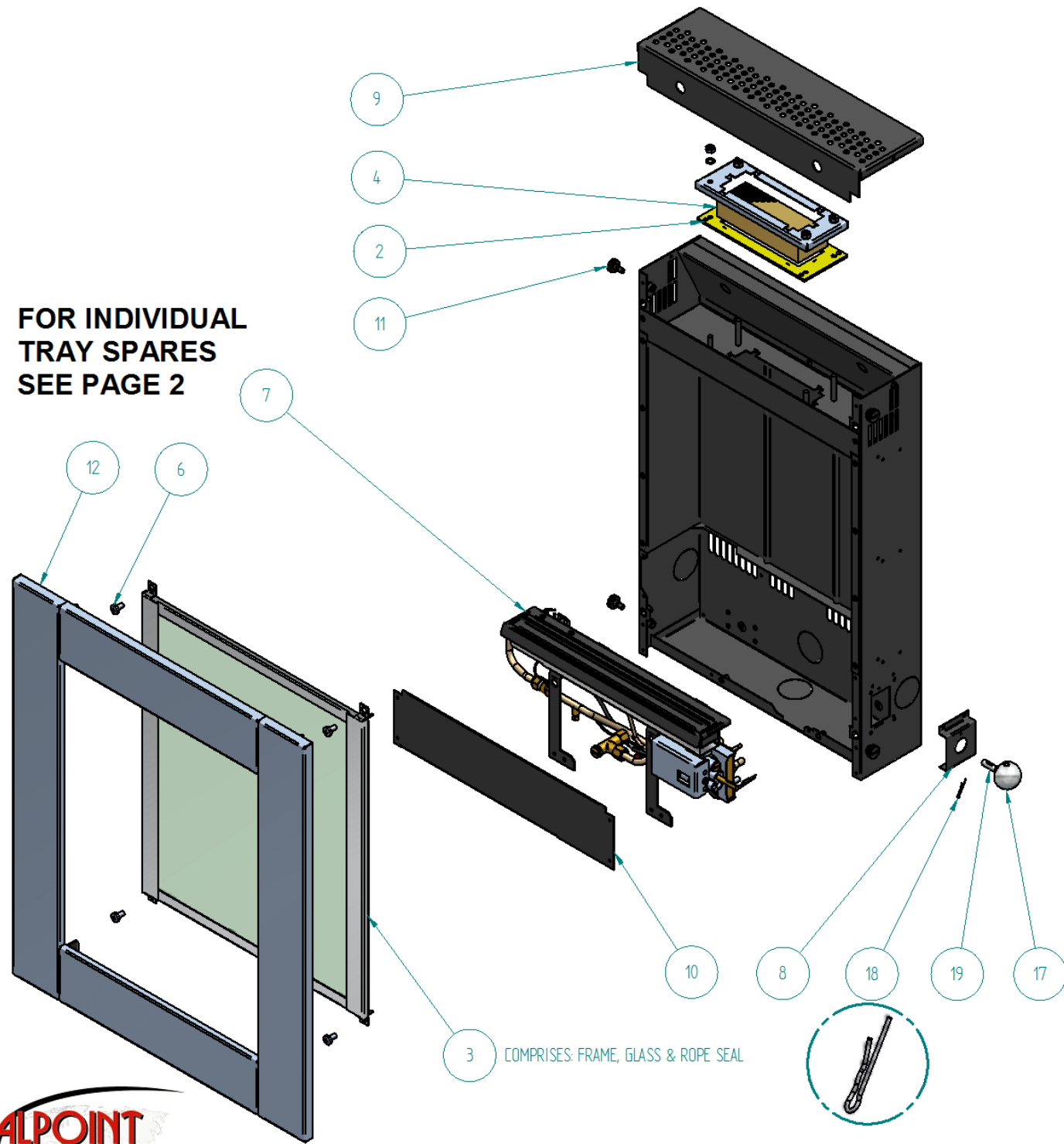


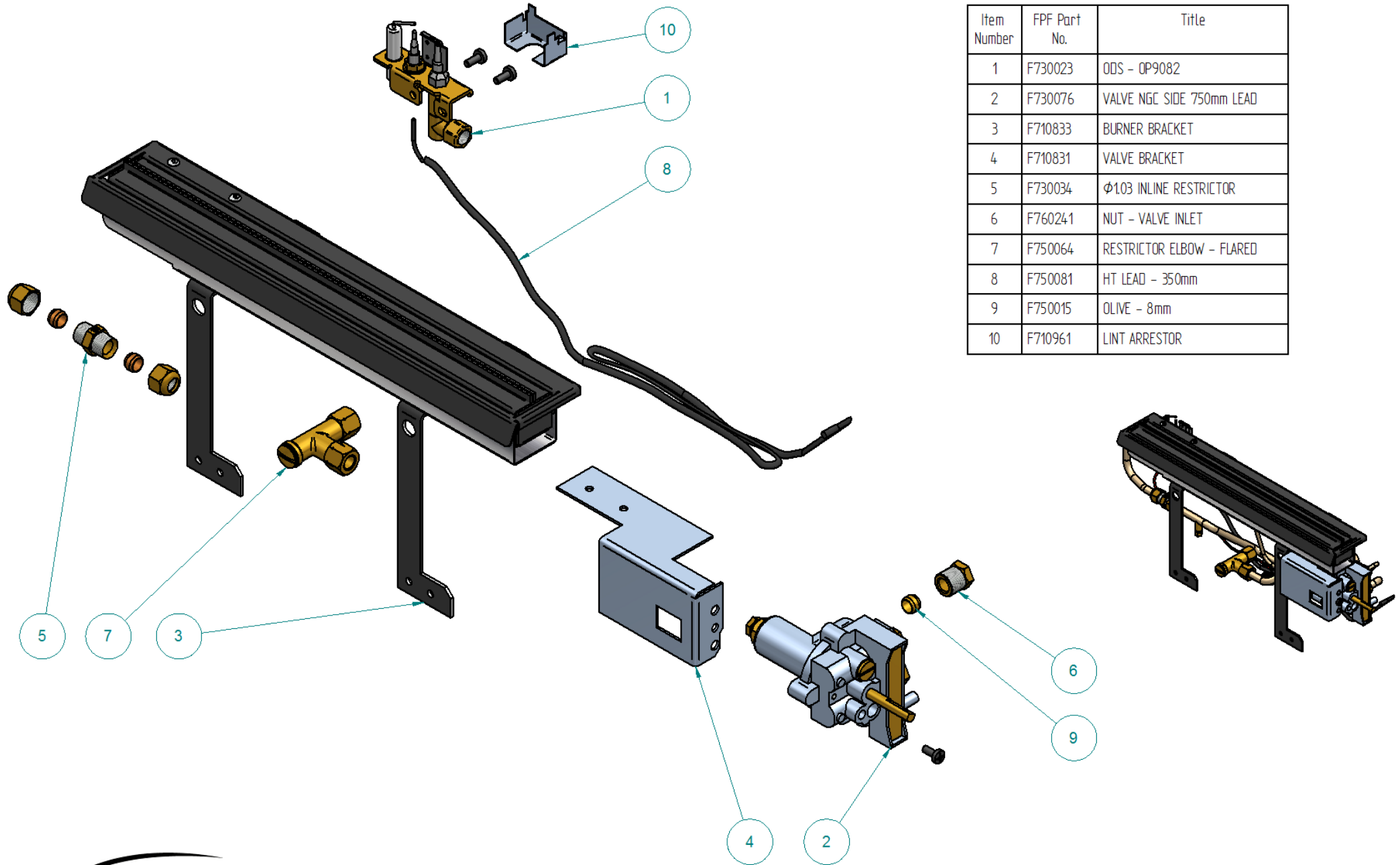
MONET FLUELESS GAS FIRE P23

Item Number	FPF Part No.	Title
2	F940136	CAT GASKET
3	F960001	GLASS FRAME ASSEMBLY - P23
4	F780079	CATALYST
6	F760076	M6x12 PAN HEAD POZI BZP
7	TRAY054	INTEGRAL BURNER
8	F710832	DATA PLATE
9	F710980	GRILLE - P23
10	F710843	BLANKING PANEL
11	F760086	M6 SHOULDER BOLT
12	F820054	TRIM FRAME ASSEMBLY
17	F870009	ROUND KNOB
18	F760019	CLEVIS PIN
19	F770047	SPINDLE - P23 - FORMED

FOR INDIVIDUAL TRAY SPARES SEE PAGE 2



TRAY054 FLUELESS GAS BURNER TRAY P23 SIDE CONTROL



Item Number	FPF Part No.	Title
1	F730023	OOS - OP9082
2	F730076	VALVE NGC SIDE 750mm LEAD
3	F710833	BURNER BRACKET
4	F710831	VALVE BRACKET
5	F730034	Ø1.03 INLINE RESTRICTOR
6	F760241	NUT - VALVE INLET
7	F750064	RESTRICTOR ELBOW - FLARED
8	F750081	HT LEAD - 350mm
9	F750015	OLIVE - 8mm
10	F710961	LINT ARRESTOR