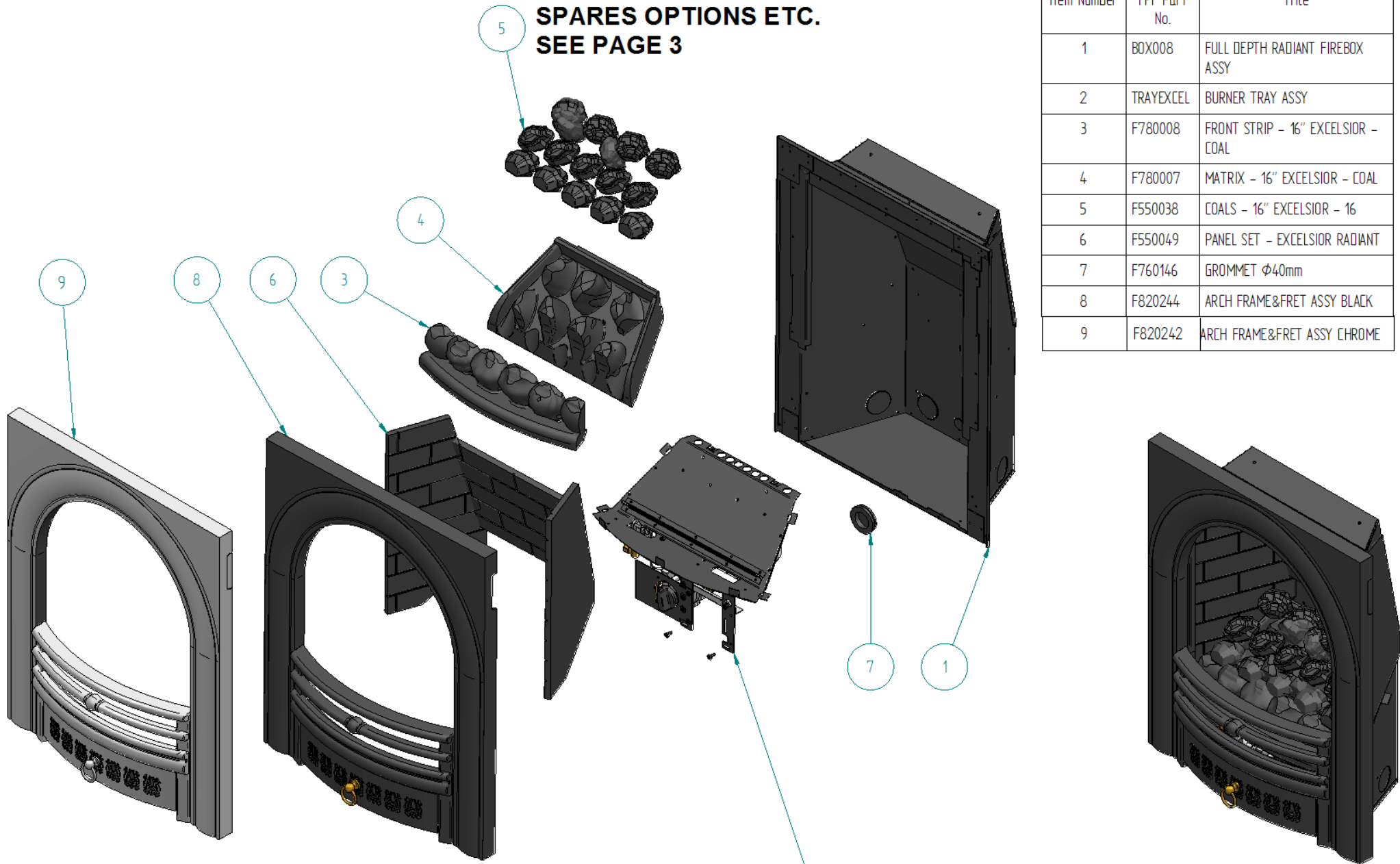


## ARCH FULL DEPTH

Item Number	FPF Part No.	Title
1	BOX008	FULL DEPTH RADIANT FIREBOX ASSY
2	TRAYEXCEL	BURNER TRAY ASSY
3	F780008	FRONT STRIP - 16" EXCELSIOR - COAL
4	F780007	MATRIX - 16" EXCELSIOR - COAL
5	F550038	COALS - 16" EXCELSIOR - 16
6	F550049	PANEL SET - EXCELSIOR RADIANT
7	F760146	GROMMET $\phi$ 40mm
8	F820244	ARCH FRAME&FRET ASSY BLACK
9	F820242	ARCH FRAME&FRET ASSY CHROME

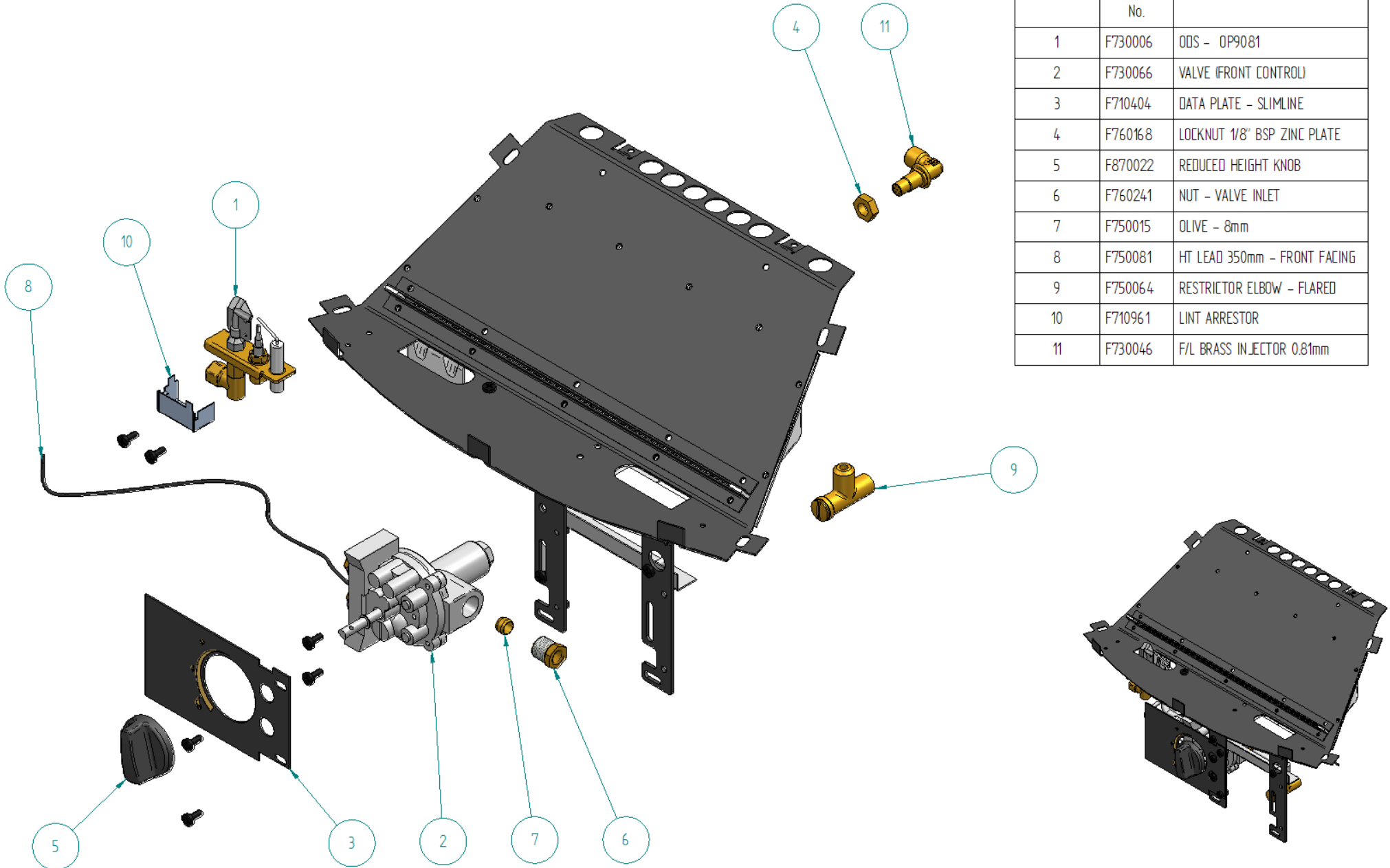
**FOR ALL CERAMIC COAL SPARES OPTIONS ETC. SEE PAGE 3**



**FOR INDIVIDUAL TRAY SPARES SEE PAGE 2**

# FULL DEPTH TRAY ASSEMBLY

Item Number	FPF Part No.	Title
1	F730006	ODS - OP9081
2	F730066	VALVE (FRONT CONTROL)
3	F710404	DATA PLATE - SLIMLINE
4	F760168	LOCKNUT 1/8" BSP ZINC PLATE
5	F870022	REDUCED HEIGHT KNOB
6	F760241	NUT - VALVE INLET
7	F750015	OLIVE - 8mm
8	F750081	HT LEAD 350mm - FRONT FACING
9	F750064	RESTRICTOR ELBOW - FLARED
10	F710961	LINT ARRESTOR
11	F730046	F/L BRASS INJECTOR 0.81mm



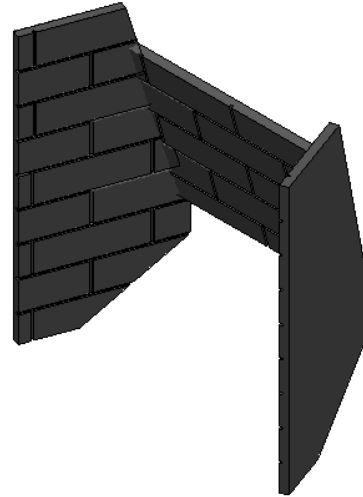
## CERAMICS FOR FULL DEPTH RADIANT AND FULL DEPTH CONVECTOR



**PART NO. COAL016 (481168)  
CERAMIC SET FULL DEPTH COAL**

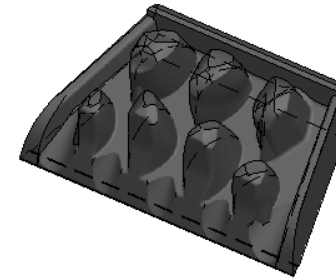
**COMPRISES OF THE FOLLOWING:-**

- 1. PT NO. F780007 (481064) MATRIX FULL DEPTH COAL**
- 2. PT NO. F780008 (481056) FRONT STRIP FULL DEPTH COAL**
- 3. PT NO. F550038 (481046) COALS(16)**



**PART NO. F550049 (481047)  
PANELSET - EXCELSIOR RADIANT  
(FULL DEPTH)**

**NOTE:- USED ON COAL AND  
PEBBLE MODELS**



**PART NO. F780007 (481064)  
MATRIX - FULL DEPTH COAL**



**PART NO. F550038 (481046)  
COAL SET - FULL DEPTH (16  
INDIVIDUAL COALS)**