

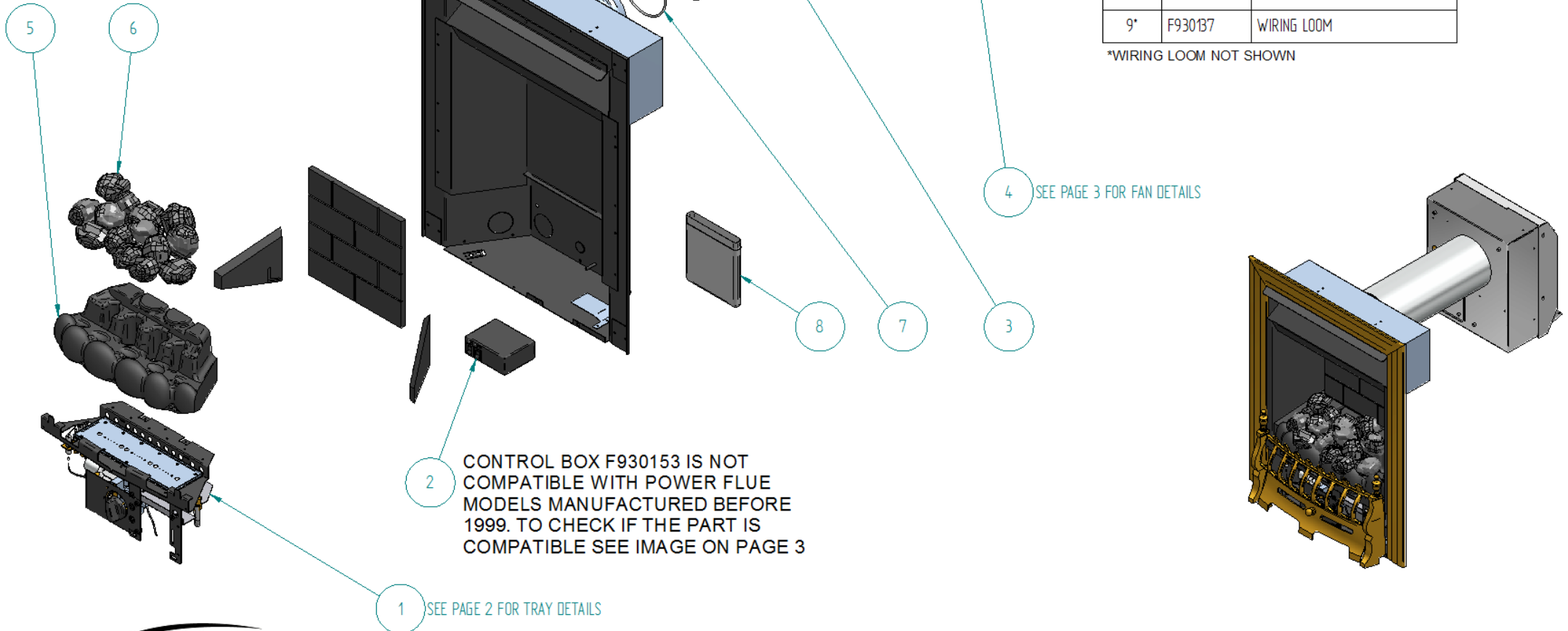
**IMPORTANT: PLEASE NOTE IF YOUR FAN FLUE FIRE HAS A SQUARE FLUE PIPE THEN ALL SPARE PARTS ARE OBSOLETE**

## SLIMLINE POWERFLUE

| Item Number | FPF Part No. | Title                          |
|-------------|--------------|--------------------------------|
| 1           | TRAY003      | BURNER TRAY ASSY               |
| 2           | F930130      | CONTROL BOX - PEKTRON - P-FLUE |
| 3           | F720085      | FLUE PIPE - FANFLUE            |
| 4           | FAN001       | FAN BOX ASSY                   |
| 5           |              | S/L COAL MATRIX                |
| 6           | F780094      | COAL SET (15) - SLIMLINE       |
| 7           | F760223      | O-RING 100mm x 3mm             |
| 8           | KIT020       | INSTRUCTION KIT - POWAFLUE     |
| 9*          | F930137      | WIRING LOOM                    |

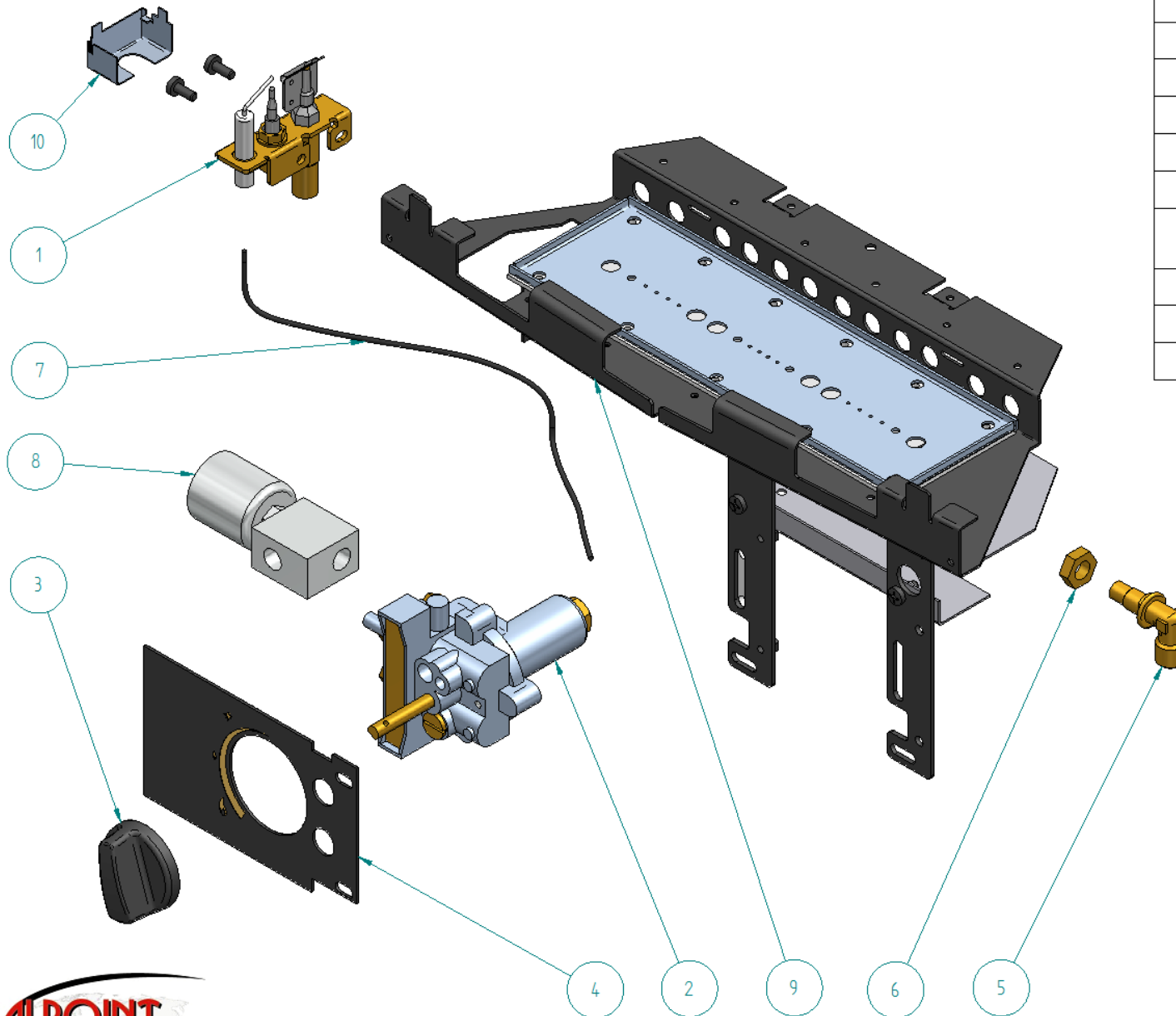
\*WIRING LOOM NOT SHOWN

**FOR ALL CERAMIC COAL SPARES OPTIONS ETC. SEE PAGE 4**



# TRAY003 SLIMLINE POWERFLUE TRAY ASSEMBLY

| Item Number | FPF Part No. | Title                           |
|-------------|--------------|---------------------------------|
| 1           | F730057      | ODS - OP9090 - NG               |
| 2           | F730076      | VALVE NGC SIDE 750mm LEAD       |
| 3           | F870022      | REDUCED HEIGHT KNOB             |
| 4           | F710404      | DATA PLATE - SLIMLINE           |
| 5           | F730062      | INJECTOR 0.78                   |
| 6           | F760168      | LOCKNUT 1/8" BSP ZINC PLATE     |
| 7           | F750081      | HT LEAD 350mm - FRONT FACING    |
| 8           | F730017      | SOLENOID VALVE - RFF/02 HI FLOW |
| 9           | TRAY001      | SLIMLINE TRAY                   |
| 10          | F710961      | LINT ARRESTOR                   |
| 11*         |              | MAYON TOP PLATE                 |



# FAN001 COMPLETE FAN - FULL DEPTH

| Item Number | FPF Part No. | Title                    |
|-------------|--------------|--------------------------|
| 1           | F711367      | POWER FLUE FAN BOX ASSY  |
| 2           | F711366      | FAN FLUE COVER           |
| 3           | F930154      | PRESSURE SWITCH          |
| 4           | F930153      | FAN                      |
| 5           | F930015      | RESISTOR LOOM - SLIMLINE |
| 6           | F700065      | SILICON TUBING           |
| 7           | F930125      | THERMAL TRIP SWITCH      |

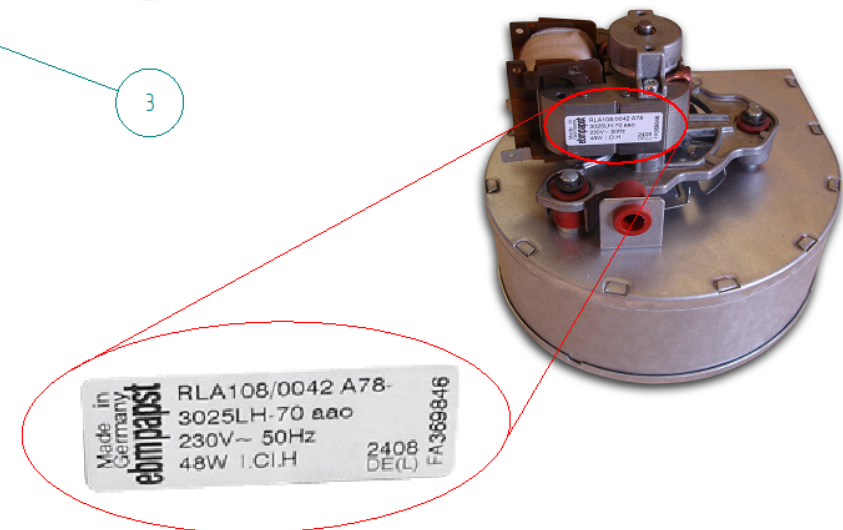
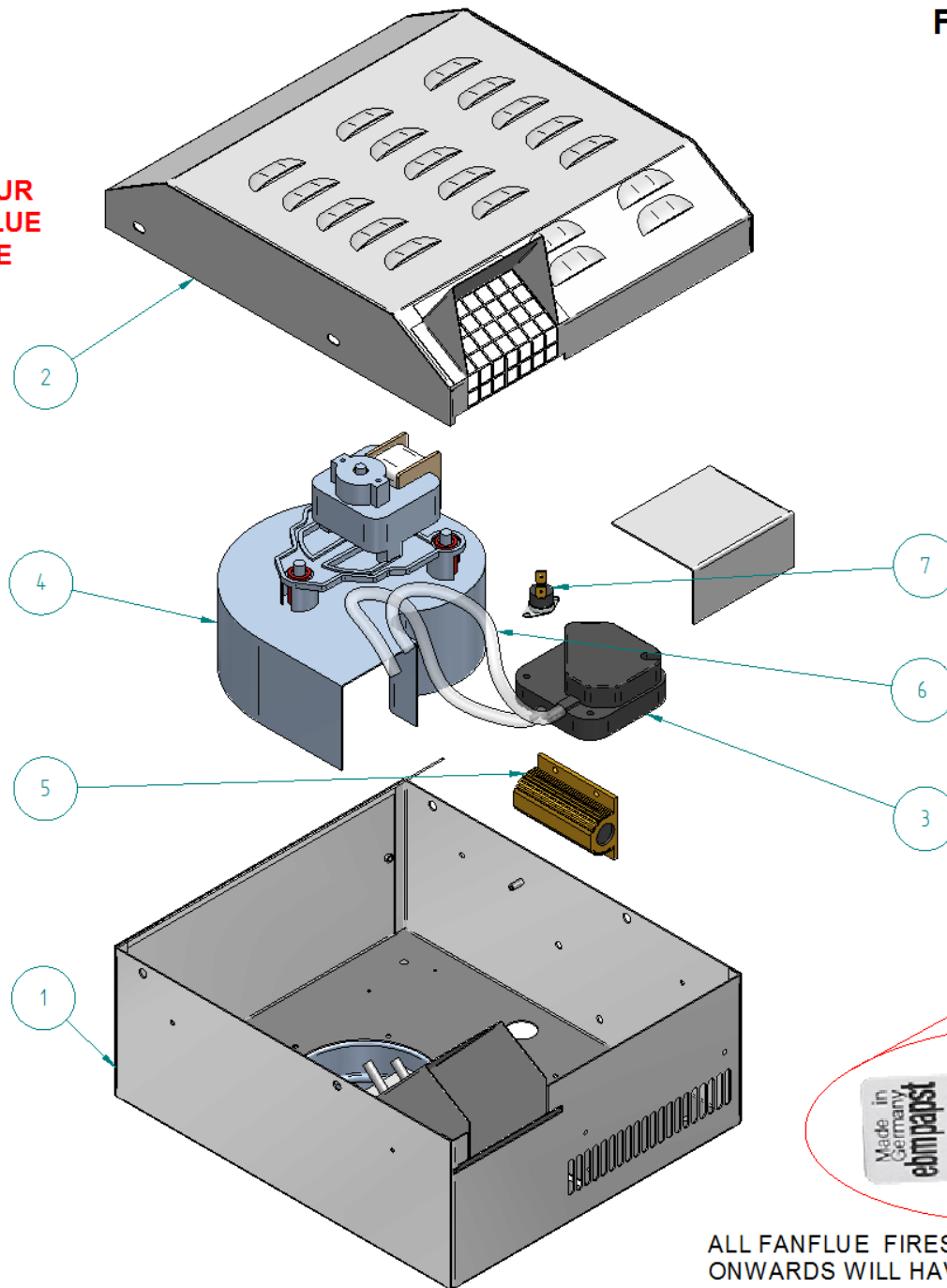
**IMPORTANT: PLEASE NOTE IF YOUR FAN FLUE FIRE HAS A SQUARE FLUE PIPE THEN ALL SPARE PARTS ARE OBSOLETE**

FAN COVER F711366 IS NOT COMPATIBLE WITH POWER FLUE MODELS MANUFACTURED BEFORE 1999. TO CHECK IF THE PART IS COMPATIBLE SEE IMAGE BELOW

FAN F930153 (EBM) IS NOT COMPATIBLE WITH POWER FLUE MODELS MANUFACTURED BEFORE 1999. TO CHECK IF THE PART IS COMPATIBLE SEE IMAGE BELOW

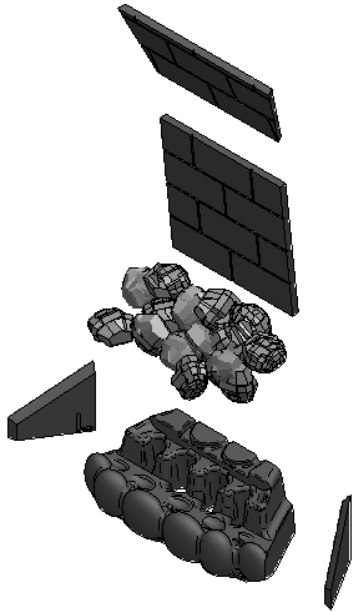
RESISTOR LOOM F930015 IS NOT COMPATIBLE WITH POWER FLUE MODELS MANUFACTURED BEFORE 1999. TO CHECK IF THE PART IS COMPATIBLE SEE IMAGE BELOW

FAN BOX F711367 IS NOT COMPATIBLE WITH POWER FLUE MODELS MANUFACTURED BEFORE 1999. TO CHECK IF THE PART IS COMPATIBLE SEE IMAGE BELOW



ALL FANFLUE FIRES MANUFACTURED FROM 1999 ONWARDS WILL HAVE AN EBM FAN CHECK LABEL TO ENSURE PARTS WILL BE CORRECT

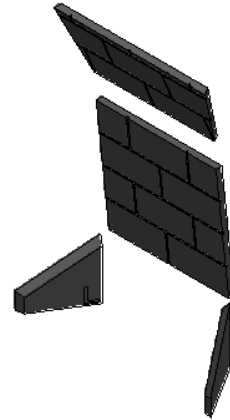
## CERAMICS FOR SLIMLINE TRAY



**PART NO. COAL001 (481153)  
CERAMIC SET SLIMLINE COAL**

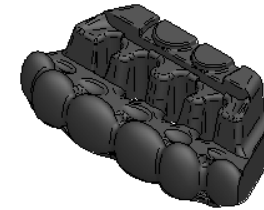
**COMPRISES OF THE FOLLOWING:-**

- 1. P/N F780093 (481071) MATRIX SLIMLINE COAL**
- 2. P/N F550208 (481065) PANELSET**
- 3. P/N F780094 (481044) COAL - SLIMLINE (15)**



**PART NO. F550208 (481065)  
PANELSET - SLIMLINE**

**NOTE:- USED ON COAL AND  
PEBBLE MODELS**



**PART NO. F780093 (481071)  
MATRIX - SLIMLINE - COAL**



**PART NO. F780094 (481044)  
COAL SET - SLIMLINE (15  
INDIVIDUAL COALS)**