

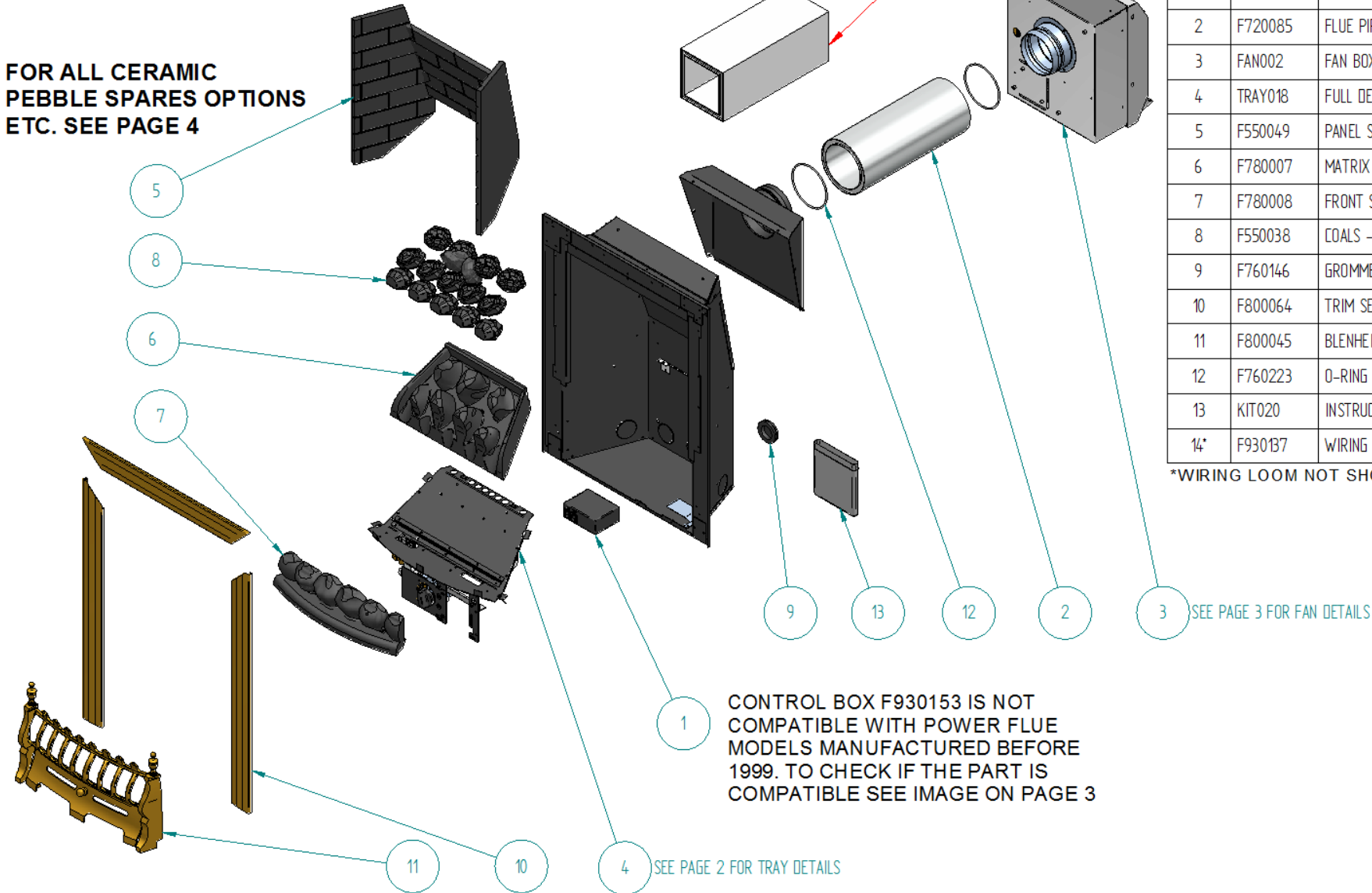
IMPORTANT: PLEASE NOTE IF YOUR FAN FLUE FIRE HAS A SQUARE FLUE PIPE THEN ALL SPARE PARTS ARE OBSOLETE

BLENHEIM BRASS FULL DEPTH POWERFLUE

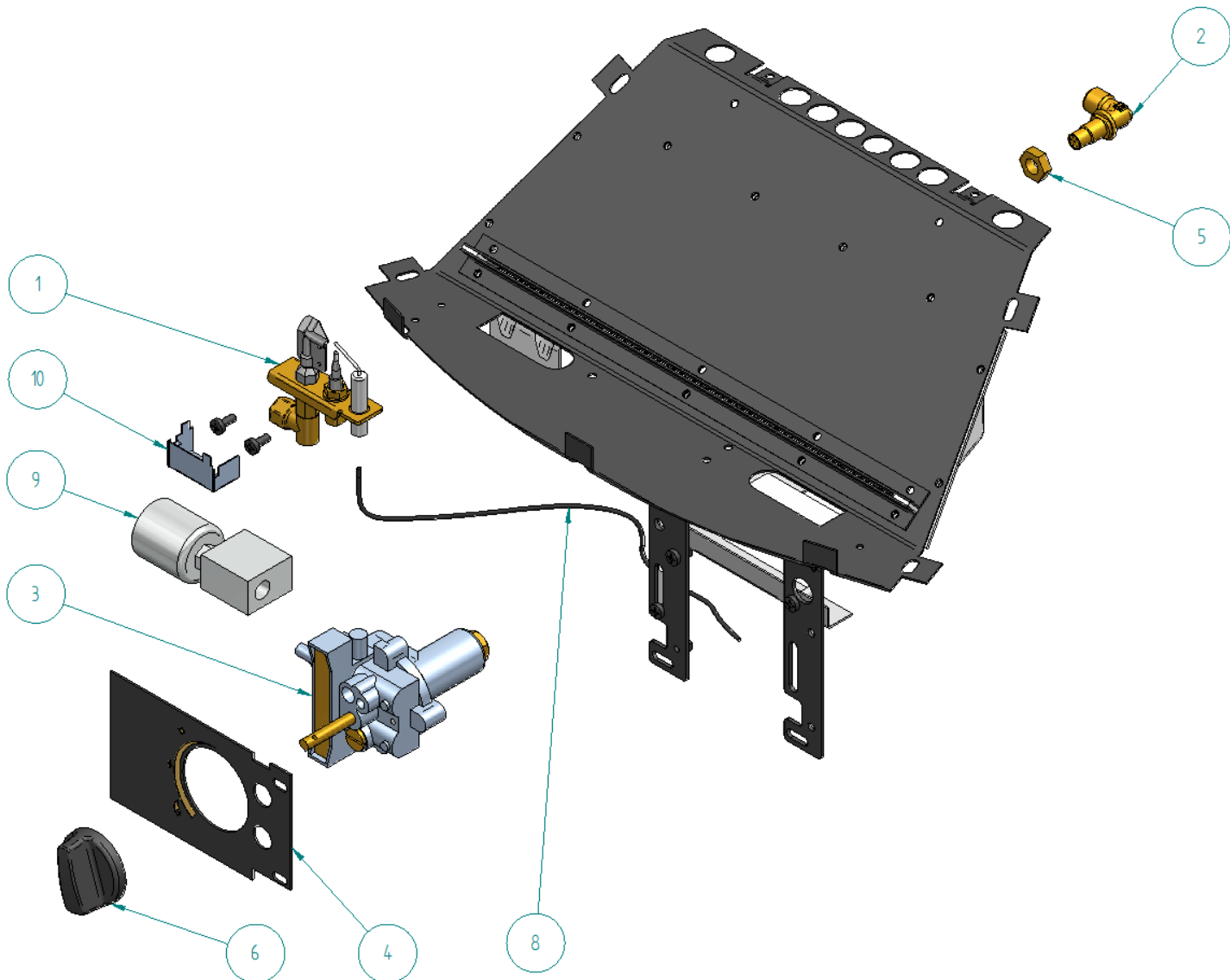
Item Number	FPF Part Number	Title
1	F930130	CONTROL BOX - PEKTRON - P-FLUE
2	F720085	FLUE PIPE - FANFLUE
3	FAN002	FAN BOX ASSY (FAN002)
4	TRAY018	FULL DEPTH POWERFLUE BURNER TRAY
5	F550049	PANEL SET - EXCELSIOR RADIANT
6	F780007	MATRIX - 16" EXCELSIOR - COAL
7	F780008	FRONT STRIP - 16" EXCELSIOR - COAL
8	F550038	COALS - 16" EXCELSIOR - 16
9	F760146	GROMMET ϕ 40mm
10	F800064	TRIM SET 3 PIECE BRASS - CLIP ON
11	F800045	BLENHEIM FRET ASSY
12	F760223	O-RING 100mm x 3mm
13	KIT020	INSTRUCTION KIT - POWAFLUE
14*	F930137	WIRING LOOM

*WIRING LOOM NOT SHOWN

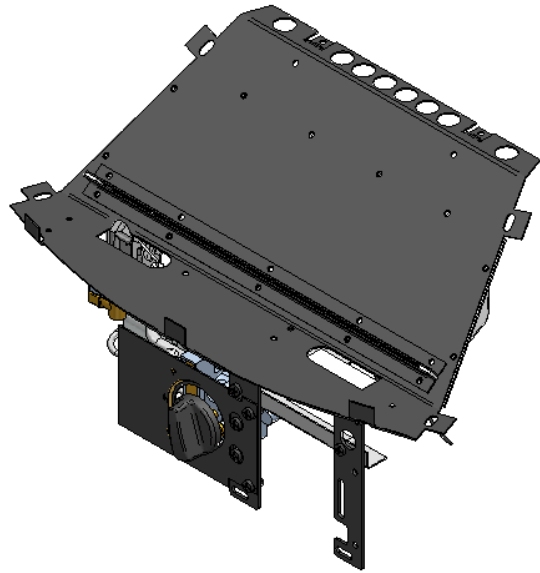
FOR ALL CERAMIC PEBBLE SPARES OPTIONS ETC. SEE PAGE 4



TRAY018 FULL DEPTH POWERFLUE TRAY ASSEMBLY



Item Number	FPF Part Number	Title
1	F730006	ODS - OP9081
2	F730046	F/L BRASS INJECTOR 0.81mm
3	F730076	VALVE NGC SIDE 750mm LEAD
4	F710404	DATA PLATE - SLIMLINE
5	F760168	LOCKNUT 1/8" BSP ZINC PLATE
6	F870022	REDUCED HEIGHT KNOB
7	F750015	OLIVE - 8mm
8	F750081	HT LEAD 350mm - FRONT FACING
9	F730017	SOLENOID VALVE - RFF/02 HI FLOW
10	F710961	LINT ARRESTOR



FAN002 COMPLETE FAN - FULL DEPTH

Item Number	FPF Part Number	Title
1	F711367	POWER FLUE FAN BOX ASSY
2	F711366	FAN FLUE COVER
3	F930154	PRESSURE SWITCH
4	F930153	FAN
5	F930016	RESISTOR LOOM - FULL DEPTH
6	F700065	SILICON TUBING
7	F930125	THERMAL TRIP SWITCH

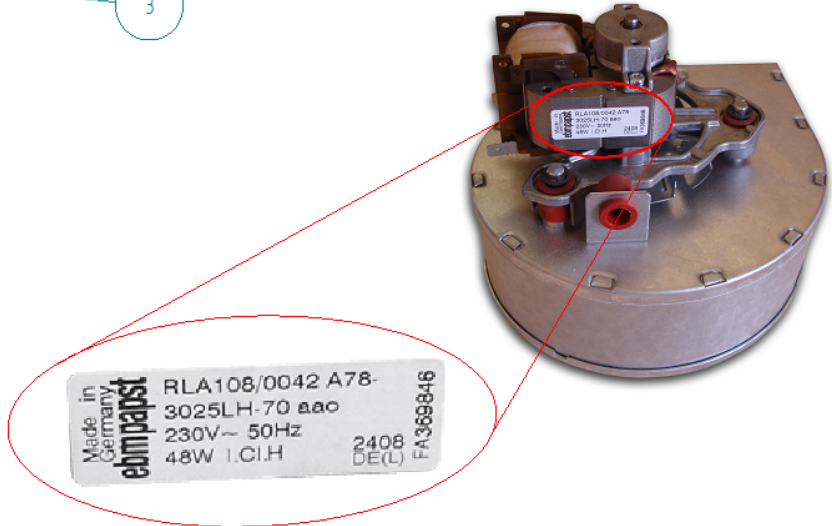
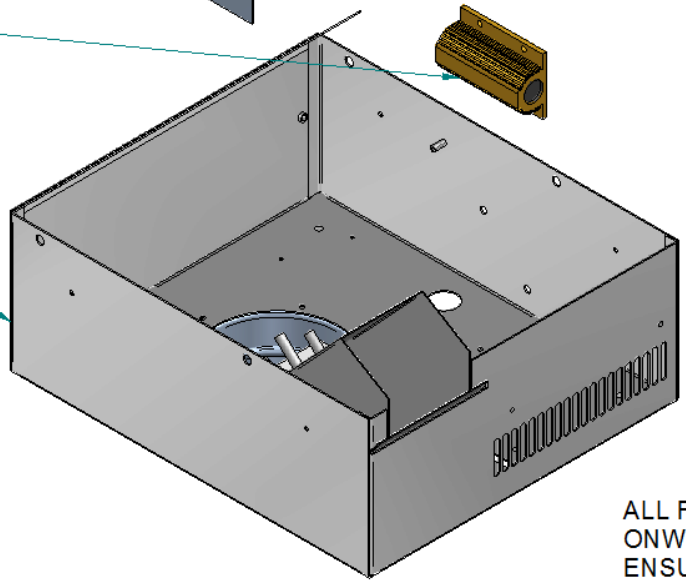
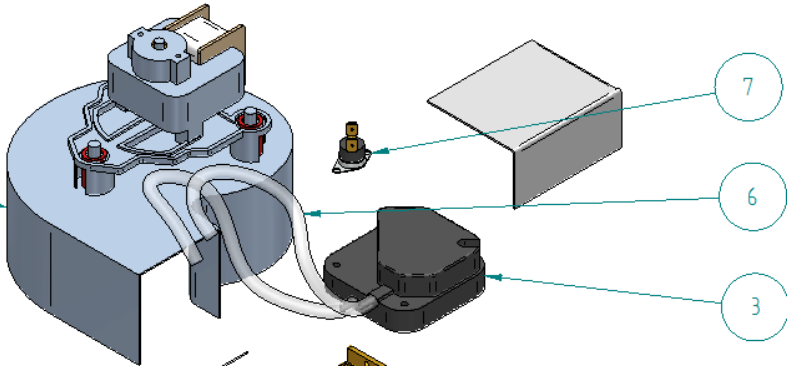
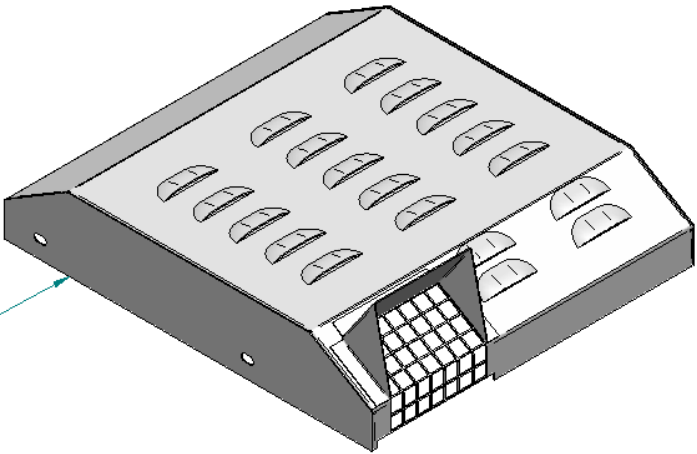
IMPORTANT: PLEASE NOTE IF YOUR FAN FLUE FIRE HAS A SQUARE FLUE PIPE THEN ALL SPARE PARTS ARE OBSOLETE

FAN COVER F711366 IS NOT COMPATIBLE WITH POWER FLUE MODELS MANUFACTURED BEFORE 1999. TO CHECK IF THE PART IS COMPATIBLE SEE IMAGE BELOW

FAN F930153 (EBM) IS NOT COMPATIBLE WITH POWER FLUE MODELS MANUFACTURED BEFORE 1999. TO CHECK IF THE PART IS COMPATIBLE SEE IMAGE BELOW

RESISTOR LOOM F930016 IS NOT COMPATIBLE WITH POWER FLUE MODELS MANUFACTURED BEFORE 1999. TO CHECK IF THE PART IS COMPATIBLE SEE IMAGE BELOW

FAN BOX F711367 IS NOT COMPATIBLE WITH POWER FLUE MODELS MANUFACTURED BEFORE 1999. TO CHECK IF THE PART IS COMPATIBLE SEE IMAGE BELOW



ALL FANFLUE FIRES MANUFACTURED FROM 1999 ONWARDS WILL HAVE AN EBM FAN CHECK LABEL TO ENSURE PARTS WILL BE CORRECT



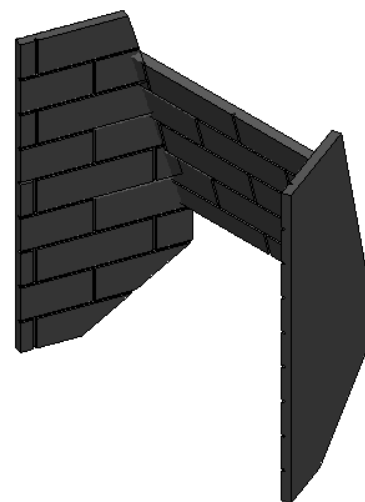
CERAMICS FOR FULL DEPTH RADIANT AND FULL DEPTH CONVECTOR



**PART NO. COAL016 (481168)
CERAMIC SET FULL DEPTH COAL**

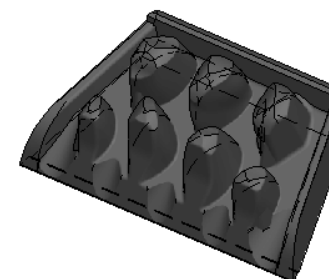
COMPRISES THE FOLLOWING:-

1. P/N F780007 (481064) MATRIX FULL DEPTH COAL
2. P/N F780008 (481056) FRONT STRIP FULL DEPTH COAL
3. P/N F550049 (481047) PANELSET
4. P/N F550038 (481046) COALS(16)



**PART NO. F550049 (481047)
PANELSET - EXCELSIOR RADIANT
(FULL DEPTH)**

**NOTE:- USED ON COAL AND
PEBBLE MODELS**



**PART NO. F780007 (481064)
MATRIX - FULL DEPTH COAL**



**PART NO. F550038 (481046)
PEBBLE SET - FULL DEPTH
(16 INDIVIDUAL COALS)**