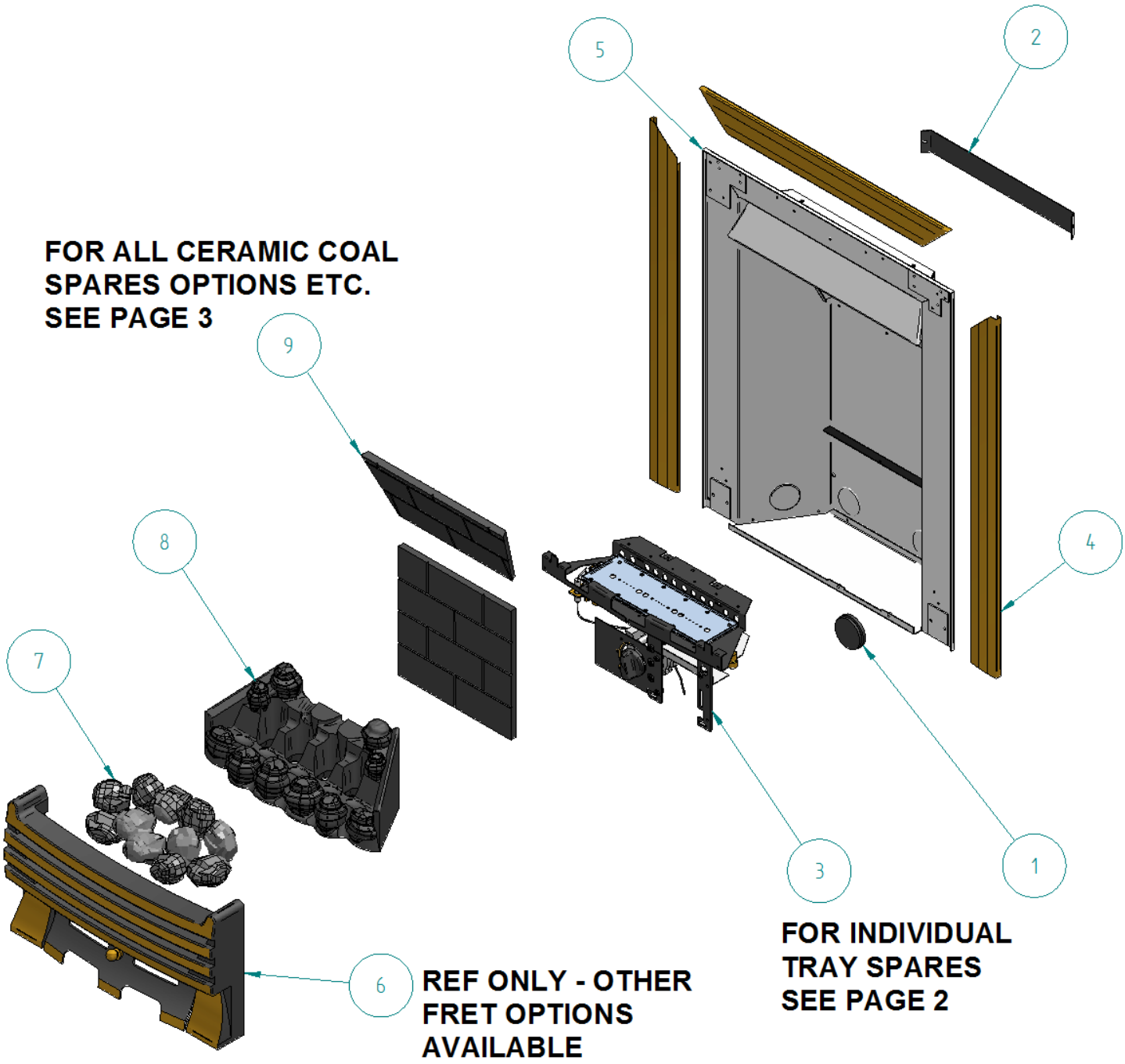


EXCELSIOR SLIMLINE

| Item Number | FPF Part No. | Title |
|-------------|--------------|----------------------------------|
| 1 | F760146 | GROMMET ϕ 40mm |
| 2 | F711371 | SPIGOT RESTRICTOR - SLIMLINE |
| 3 | TRAYSLIM | COMPLETE TRAY - SLIMLINE |
| 4 | F800064 | TRIM SET 3 PIECE BRASS - CLIP ON |
| 5 | BOX004 | VOGUE FIREBOX ASSY |
| 6 | F800037 | ELYSEE FRET - BRASS |
| 7 | F550059 | COALS EXL SLIM - 11 |
| 8 | F780034 | MATRIX EXL - SLIM COAL |
| 9 | F550208 | PANEL SET - SLIMLINE |

FOR ALL CERAMIC COAL SPARES OPTIONS ETC. SEE PAGE 3



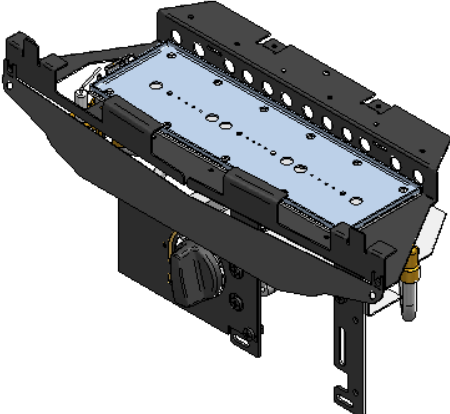
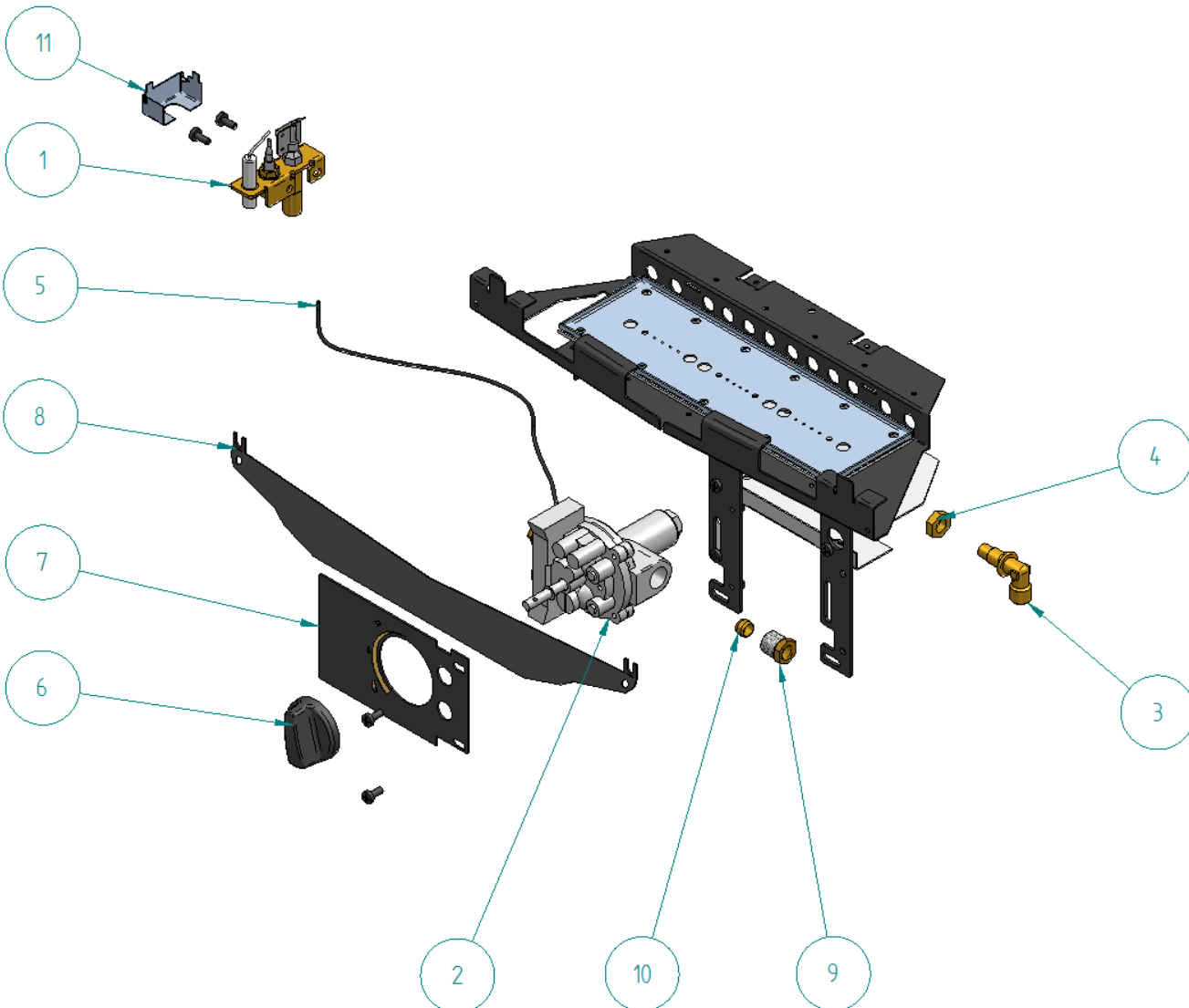
6 REF ONLY - OTHER FRET OPTIONS AVAILABLE

FOR INDIVIDUAL TRAY SPARES SEE PAGE 2

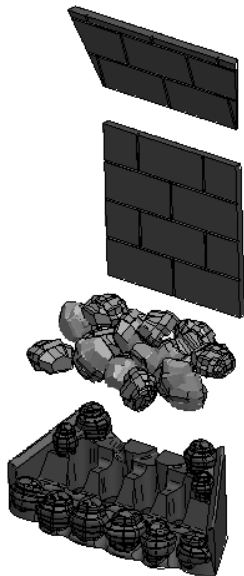


SLIMLINE TRAY ASSEMBLY

| Item Number | FPF Part No. | Title |
|-------------|--------------|------------------------------|
| 1 | F730057 | ODS - OP9090 - NG |
| 2 | F730066 | VALVE (FRONT CONTROL) |
| 3 | F730047 | INJECTOR - BRASS - 0.77mm |
| 4 | F760168 | LOCKNUT 1/8" BSP ZINC PLATE |
| 5 | F750081 | HT LEAD 350mm - FRONT FACING |
| 6 | F870022 | REDUCED HEIGHT KNOB |
| 7 | F710404 | DATA PLATE - SLIMLINE |
| 8 | F711326 | HEAT DEFLECTOR - SLIMLINE |
| 9 | F760241 | NUT - VALVE INLET |
| 10 | F750015 | OLIVE - 8mm |
| 11 | F710961 | LINT ARRESTOR |



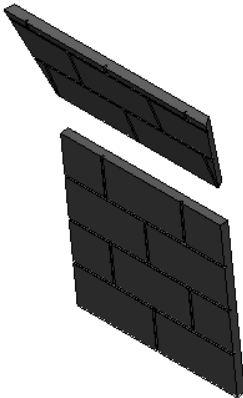
CERAMICS FOR EXCELSIOR SLIMLINE



**PART NO. COAL018 (481170)
CERAMIC SET EXL SLIM COAL**

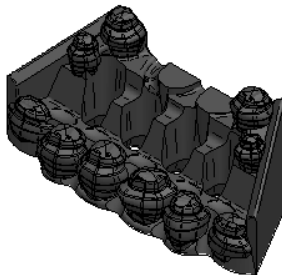
COMPRISES OF THE FOLLOWING:-

- 1. P/N F780034 (481059) MATRIX EXL - SLIM COAL**
- 2. P/N F550208 (481065) PANELSET**
- 3. P/N F550059 (481050) COALS EXL - SLIM (11)**

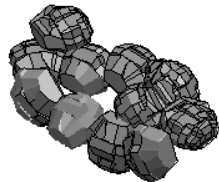


**PART NO. F550208 (481065)
PANELSET - SLIMLINE**

**NOTE:- USED ON COAL AND
PEBBLE MODELS**



**PART NO. F780034 (481059)
MATRIX - EXL SLIM - COAL**



**PART NO. F550059 (481050)
COAL EXL SLIM
(11 INDIVIDUAL COALS)**