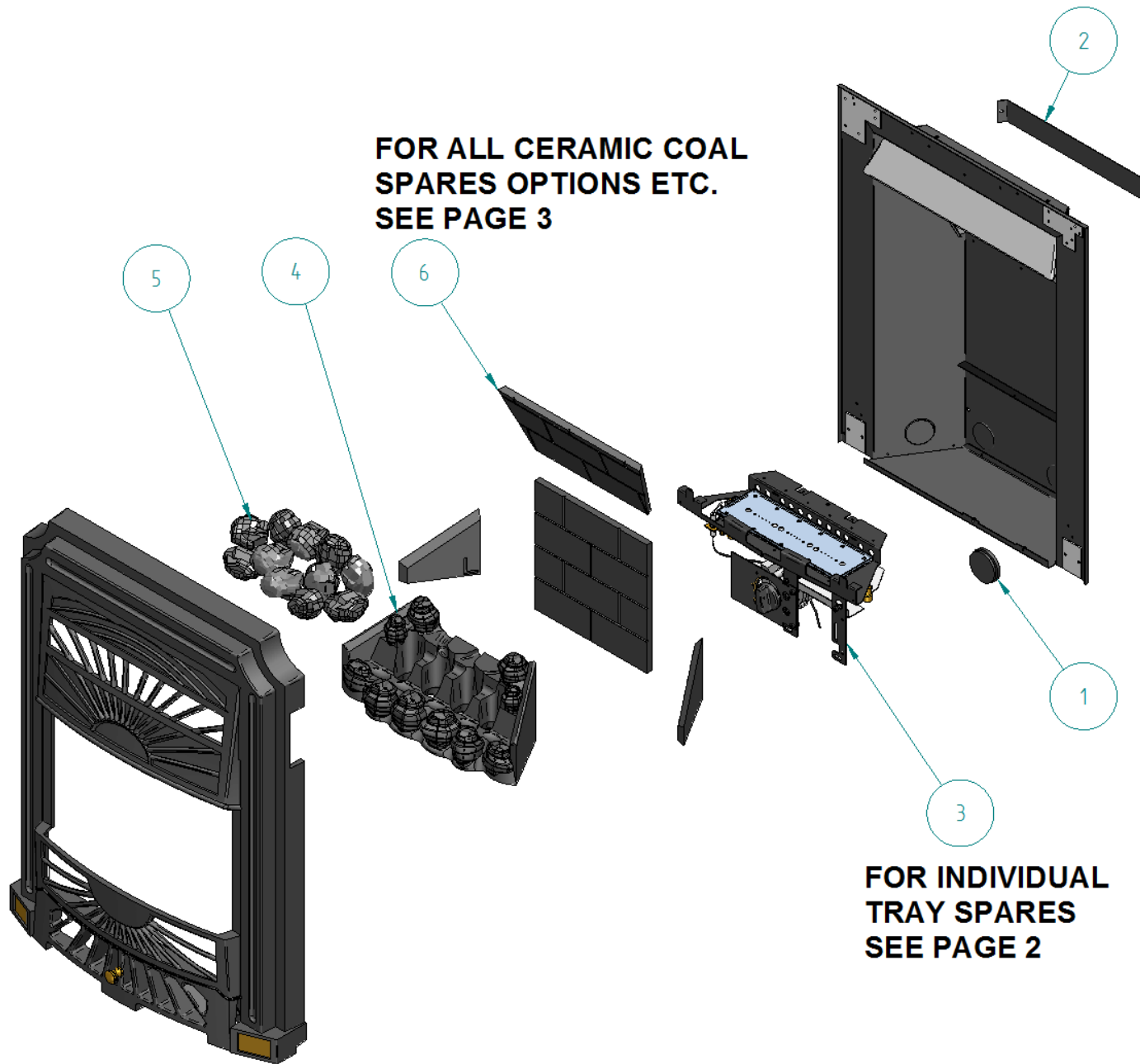


OREGON / REALITY / KENSINGTON MULTIFLUE

**FOR ALL CERAMIC COAL
SPARES OPTIONS ETC.
SEE PAGE 3**



Item Number	FPF Part No.	Title
1	F760146	GROMMET ϕ 40mm
2	F711371	SPIGOT RESTRICTOR - SLIMLINE
3	TRAYSLIM	COMPLETE TRAY - SLIMLINE
4	F780034	MATRIX EXL - SLIM COAL
5	F550059	COALS EXL SLIM - 11
6	F550208	PANEL SET - SLIMLINE

**KENSINGTON CAST FRONT
FPF PART NO. F800080
PARTS CENTER NO. 496719**

**OREGON CAST FRONT
FPF PART NO. F830022**

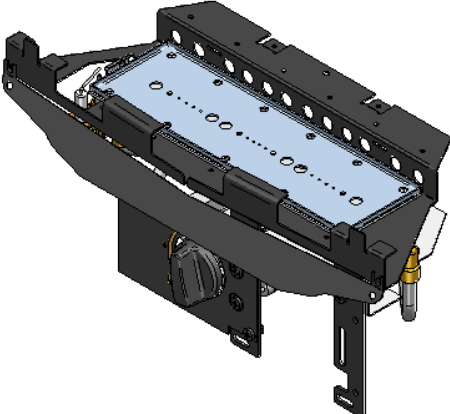
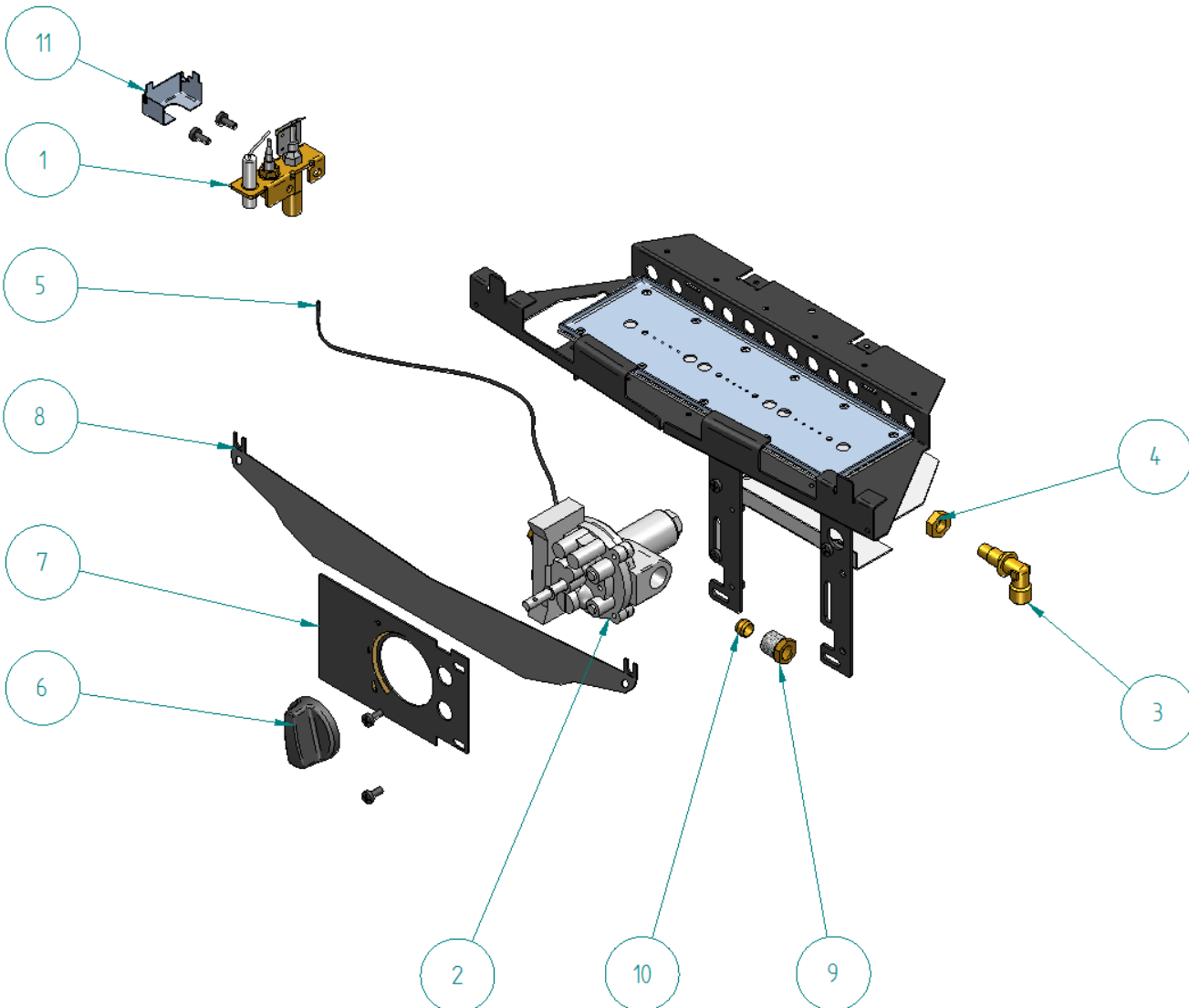
**REALITY CAST FRONT
FPF PART NO. F800022**



**FOR INDIVIDUAL
TRAY SPARES
SEE PAGE 2**

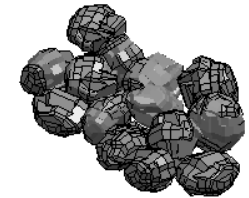
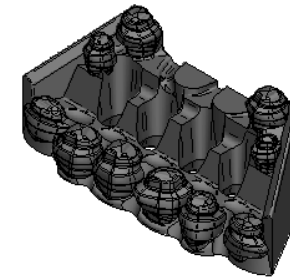
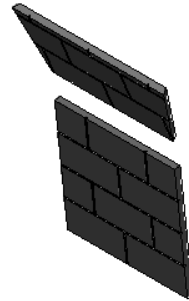
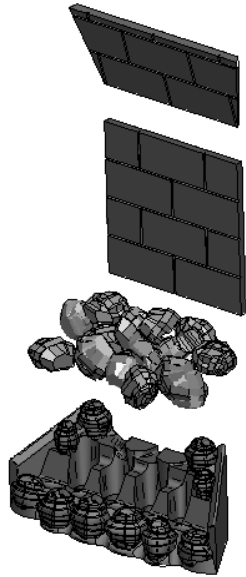
SLIMLINE TRAY ASSEMBLY

Item Number	FPF Part No.	Title
1	F730057	ODS - OP9090 - NG
2	F730066	VALVE (FRONT CONTROL)
3	F730047	INJECTOR - BRASS - 0.77mm
4	F760168	LOCKNUT 1/8" BSP ZINC PLATE
5	F750081	HT LEAD 350mm - FRONT FACING
6	F870022	REDUCED HEIGHT KNOB
7	F710404	DATA PLATE - SLIMLINE
8	F711326	HEAT DEFLECTOR - SLIMLINE
9	F760241	NUT - VALVE INLET
10	F750015	OLIVE - 8mm
11	F710961	LINT ARRESTOR



Focal Point, the logo, and the product name are trademarks of Focal Point Fires plc. Drawings copyright © 2009

CERAMICS FOR MULTIFLUE



PART NO. COAL018 (481170)
CERAMIC SET EXCELSIOR SLIMLINE COAL

COMPRISES OF THE FOLLOWING:-

- 1. P/N F780034 (481059) MATRIX EXCEL SLIMLINE COAL**
- 2. P/N F550208 (481065) PANELSET**
- 3. P/N F550059 (481050) COAL -EXCEL SLIMLINE (11)**

PART NO. F550208 (481065)
PANELSET - SLIMLINE

**NOTE:- USED ON COAL AND
PEBBLE MODELS**

PART NO. F780034 (481059)
MATRIX - EXCEL SLIMLINE - COAL

PART NO. F550059 (481050)
**COAL SET - EXCEL SLIMLINE
(11 INDIVIDUAL COALS)**