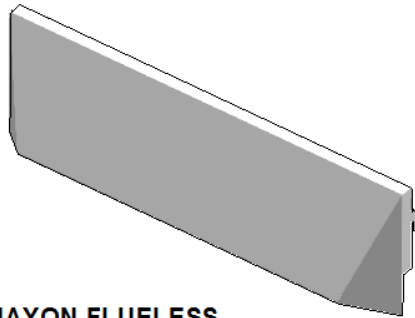


EXCELSIOR FLUELESS INSET / MAYON FLUELESS INSET

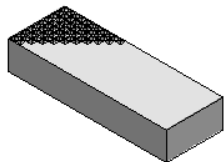
THIS PRODUCT IS DISCONTINUED, THE FOLLOWING SPARES ARE STILL AVAILABLE FOR THIS PRODUCT:-

1



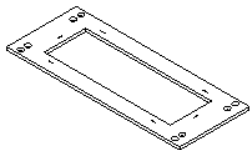
HOOD - MAYON FLUELESS
FPF PART No. F550087 PARTS
CENTER PART No. 481108

2



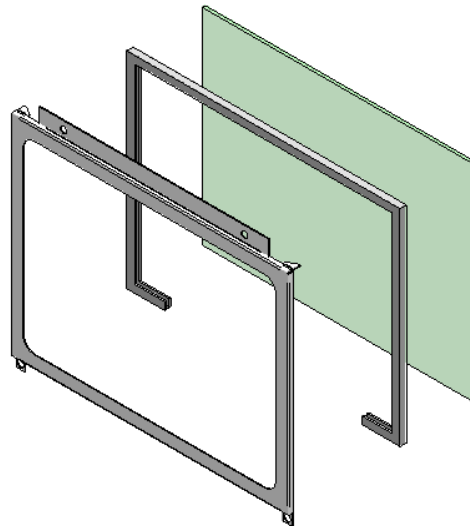
CATALYST
FPF PART No. F780079
PARTS CENTER PART No. 496943
QUANTITY - 1

3



GASKET CATALYST
FPF PART No. F940136
PARTS CENTER PART No. 496583
QUANTITY - 1

4



GLASS ASSEMBLY COMPLETE (4 HOLE)
FPF PART No. F550290
PARTS CENTER PART No. 481143

COMPRISES OF THE FOLLOWING:-

1. P/N F710041 DOOR FRAME - FLUELESS
2. P/N F920069 - (481126) GLASS MAYON - FLUELESS
3. P/N F760252 - (496683) THERMOTAPE SEAL

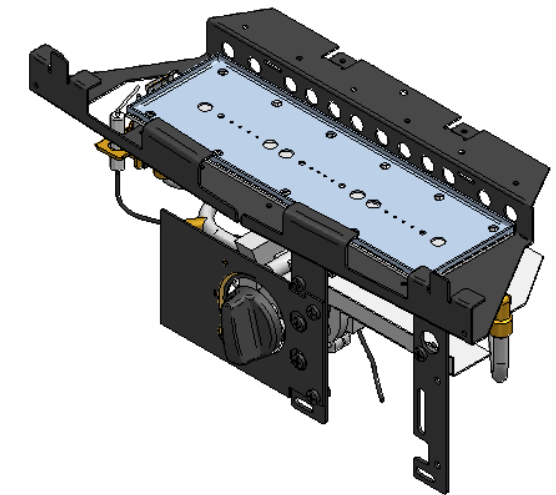
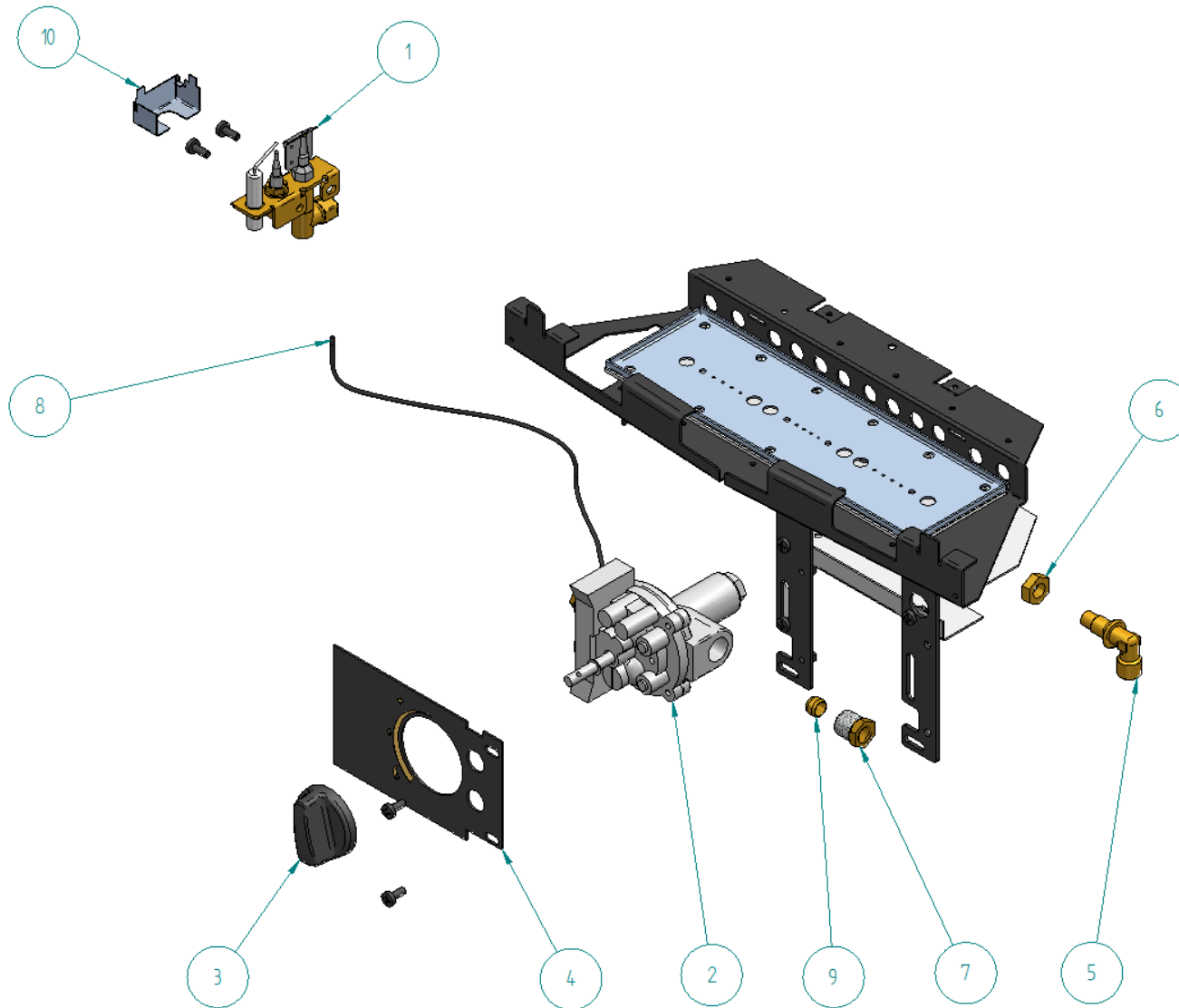


- FOR INDIVIDUAL BURNER TRAY SPARES SEE PAGE 2
- FOR CERAMIC SPARES OPTIONS SEE PAGE 3

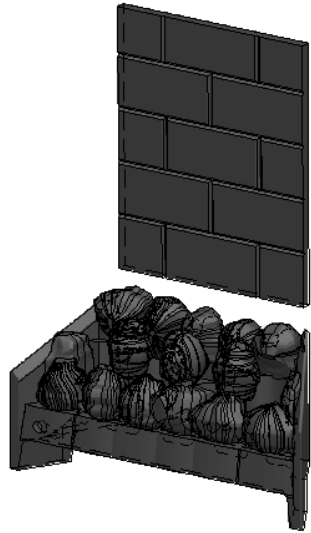
TRAY 032 (FLUELESS) ASSEMBLY

Item Number	FPF Part No.	Title
1	F730023	ODS - OP9082
2	F730066	VALVE (FRONT CONTROL)
3	F870022	REDUCED HEIGHT KNOB
4	F710404	DATA PLATE - SLIMLINE
5	F730061	INJECTOR SIZE 0.60
6	F760168	LOCKNUT 1/8" BSP ZINC PLATE
7	F760241	NUT - VALVE INLET
8	F750081	HT LEAD 350mm - FRONT FACING
9	F750015	OLIVE - 8mm
10	F710961	LINT ARRESTOR

PARTS LISTED ABOVE ARE AVAILABLE AS SPARES ALL OTHER PARTS ARE OBSOLETE



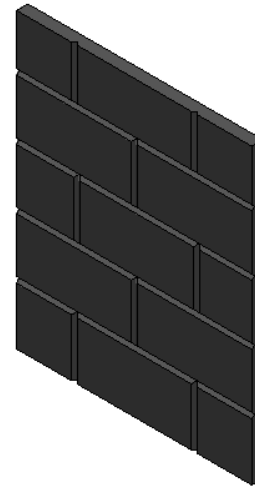
CERAMICS FOR EXCELSIOR FLUELESS INSET & MAYON FLUELESS INSET



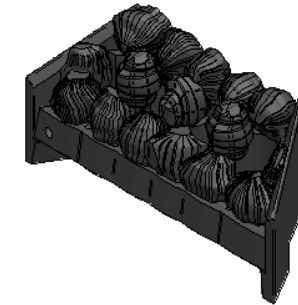
**PART NO. COAL031 (481183)
CERAMIC SET FLUELESS**

COMPRISES OF THE FOLLOWING:-

- 1. P/N F780054 (481063) MATRIX COAL**
- 2. P/N F790005 (481139) PANEL**



**PART NO. F790005 (481139)
PANEL**



**PART NO. F780054 (481063)
MATRIX - FLUELESS
FOR MODELS YEAR 2003 ONWARDS**