

INSTALLATION & USER INSTRUCTIONS

WALL MOUNTED ELECTRIC FIRE



Focal Point Fires plc.
Christchurch, Dorset BH23 2BT
Tel: 01202 499330
Fax: 01202 499326
www.focalpointfires.co.uk
e : sales@focalpointfires.co.uk

MODELS COVERED BY THESE INSTRUCTIONS

LIBRA ELECTRIC

F500427/# EF451S-3B



LIBRA

Please note : Except where otherwise stated, all rights, including copyright in the text, images and layout of this booklet is owned by Focal Point Fires plc. You are not permitted to copy or adapt any of the content without the prior written permission of Focal Point Fires plc.

All instructions must be handed to the user for safekeeping.

Revision A - 10/11

© 2011 Focal Point Fires plc.

Section	Contents	Page No.	Section	Contents	Page No.
1.0	Important Notes	2	8.0	Fixing the Appliance	3
2.0	Installation Requirements	2	9.0	Fitting the Frame and Fuel Bed	4
3.0	Appliance Data	2	10.0	Operating the Appliance	4
4.0	Unpacking the Appliance	2	11.0	Safety Cut-Out System	4
5.0	Component Checklist	2	12.0	Replacing the Lamps	4
6.0	Site Requirements	3	13.0	Cleaning and Maintenance	5
7.0	Clearances to Combustibles	3	14.0	Spares	5

1.0 IMPORTANT NOTES

IMPORTANT: THESE INSTRUCTIONS SHOULD BE READ CAREFULLY AND RETAINED FOR FUTURE REFERENCE.

When using this electrical appliance, basic precautions should be followed to reduce the risk of fire, electric shock and injury to person, including the following:

- This heater must be used on an AC supply only and the voltage marked on the heater's rating label must correspond to the supply voltage.
- Do not switch the appliance on until it is properly installed as described in this manual.
- The heater must not be located immediately below a socket outlet.
- Keep furniture, curtains and other fabric material at least 1 metre away from the appliance.
- Do not leave the appliance unattended during use.
- This appliance is intended for household use and should not be used for industrial purposes.
- From time to time, check the cord for damage. Never use the appliance if the cord or any part of the appliance shows signs of damage. A damaged cord must only be replaced by a qualified person.
- Do not operate this appliance with a damaged plug or cord, after a malfunction or after being dropped or damaged in any way.
- Repairs to electrical appliances should only be performed by a qualified electrician. Improper repairs may place the user at serious risk.
- Do not run the mains cable under carpets, rugs etc.
- Do not cover or obstruct the heater in any way. Overheating will result if it is accidentally covered.
- Never immerse the product in water or any other liquids.
- Do not use this heater where it may come into contact with water e.g. in bathrooms, shower rooms etc.
- Do not use the appliance outdoors.
- Before cleaning the appliance, ensure it is unplugged from the power and that it is completely cool.
- Do not clean the appliance with abrasive chemicals.
- Never use accessories that are not recommended or supplied by the manufacturer. It could cause danger to the user or damage to the appliance.
- The only user replacement parts are the bulbs. There are no other user replacement parts. All other servicing should be referred to a qualified engineer.
- This appliance is not intended for use by persons (including children) with reduced physical, sensory or mental capabilities, or lack of experience and knowledge unless they have been given supervision or instruction concerning use of the appliance by a person responsible for their safety.
- Children should be supervised to ensure that they do not play with the appliance.
- Do not lift the appliance by the front panel.
- CAUTION! In order to avoid a hazard due to inadvertent resetting of the thermal cut out, this appliance must not be supplied through an external switching device such as a timer or connected to a circuit that is regularly switched on and off by the utility.
- Do not insert or allow foreign objects to enter the inlet or outlet vents as this may result in electric shock, fire or damage to the appliance.
- Do not install the fire using an extension cord.
- Unplug from the mains supply if the appliance is not to be used for long periods.
- WARNING! This heater is not equipped with a device to control the room temperature. Do not use this heater in small rooms when they are occupied by persons not capable of leaving the room on their own, unless constant supervision is provided.

2.0 INSTALLATION REQUIREMENTS

The appliance is supplied with a pre-wired three pin plug, (13Amp fuse rated), and 2 metres of electrical cable. It is therefore necessary for a suitable electrical socket to be located within this distance and be easily accessible.

This appliance is designed to be wall-hung, using the wall fixtures/fixings provided. DO NOT recess any part of appliance into the wall.

3.0 APPLIANCE DATA

Supply Voltage:	230/240V AC, 50Hz	Fuse Rating:	13 Amp
Heating Elements:	2 x 900W	Lighting:	2 x 40W G9 Halogen Bulbs

4.0 UNPACKING THE APPLIANCE

Read **all** the instructions before continuing to unpack or install this appliance. Carefully remove the appliance from its packaging and lay on the floor with its back surface downward. Note: DO NOT stand the appliance on its frame as this may cause distortion. Check that the remaining packaging contents correlate with the component checklist below. Please dispose of all packaging with care at your local recycling centre.

5.0 COMPONENT CHECKLIST

QUANTITY	DESCRIPTION
1	Wall Heater
1	Decorative Facia
1	Instruction Booklet
1	Remote Control
1	Pack of Fixing Screws and Wall Plugs
1	Wall Mounting Bracket
1	Pack of Pebbles

6.0 SITE REQUIREMENTS

GB IE

This appliance is designed to be wall mounted using the mounting bracket and fixings provided. The wall should be relatively flat and not interfere with any of the ventilation slots in the rear panel.

The wall must be structurally sound and of a material capable of withstanding moderate heat. Finished plaster, conventional wallpaper, dry-lined plaster board are examples of suitable materials. Materials such as flock, blown vinyl, embossed paper and cloth wall coverings which are sensitive to even small amounts of heat should be avoided, as some discolouration may occur.

It should be noted that the appliance creates warm convected air currents. These currents move heat from the room surroundings to, and up the wall surfaces adjacent to the heater.

Installing the heater next to these types of wall coverings or operating the heater where impurities in the air, (such as tobacco smoke) exist, may slightly discolour wall finishing.

If the appliance is to be mounted on a dry lined or timber framed construction then the integrity and ability of the wall to carry the weight of the appliance must be confirmed. It is important in these circumstances that any vapour barrier and/or structural members of the house frame are not damaged.

If you are unsure of the ability of the wall to carry the weight and/or which type of wall fixing to use, you should take professional advice and obtain the correct fixings. Alternatively, find a more suitable wall location.

DO NOT

- mount on a ceiling or floor.
- recess any part of the appliance into the wall.
- site any electrical equipment e.g. plasma screen TV sets etc, on the wall above the appliance.
- site in a position where curtains or drapes could cover the appliance.
- site in a position where other soft materials could cover e.g. below a coat rack.
- site behind an opening door where mechanical impact/damage could occur.
- site where the supply cable would become a trip hazard.
- sit, stand or forcefully pull on the appliance.
- obstruct, cover or force items into the openings.
- use the heater to dry clothes.
- site/use in an outdoor location(s).
- run the supply cable under carpets.

7.0 CLEARANCES TO COMBUSTIBLE MATERIALS

It is important that the following clearances are maintained from the appliance to combustible materials. These clearances are dependant on the mounting location as defined below:

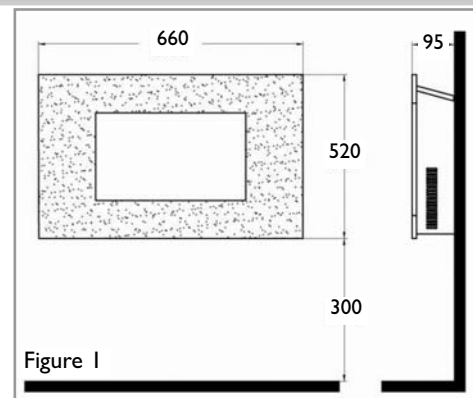
The minimum distance from the top of the appliance to a ceiling is 1000mm.

The minimum distance from the bottom of the appliance to the floor is 300mm.

The minimum distance to the sides of the appliance is 100mm.

The minimum distance to the front of the appliance is 500mm.

CAUTION: DO NOT CONNECT THE APPLIANCE TO THE ELECTRICAL SUPPLY AT THIS TIME.



8.0 FIXING THE APPLIANCE

Focal Point Fires plc. assumes absolutely no responsibility for injuries and damages that may occur due to improper installation or handling. The appliance should not be installed until all wet plastering and/or dry wall sanding and wall painting has been completed. Do not block the ventilation holes of the appliance. The wall onto which the appliance is installed must be flat. Install only on a vertical surface. Avoid sloped surfaces. Installation onto anything other than a vertical wall may result in fire, damage or injury.

For optimum viewing, mark the top four screws fixing positions on wall in accordance with the recommend fixing dimensions- see figure 2.

NOTE: Ensure that the bracket is level by using a Spirit level whilst marking out the hole positions.

Drill holes with a 5mm drill bit. Fix the wall bracket using the plugs and screws provided.

Attach the lower fixing bracket to the base of the fire using the two small black screws supplied; ensure the bracket is fitted so that it is level with the back.

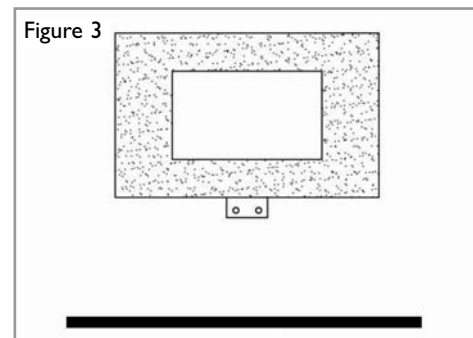
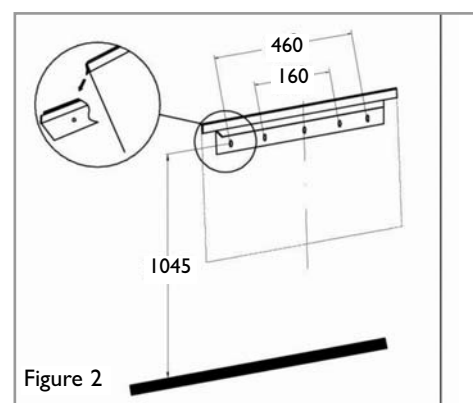
Carefully lift the heater up ensuring that the top rear ledge of heater engages with the wall bracket (see figure 2 in circle) and is sitting centrally. This process should be carried out by two people to avoid injury or damage to property or the appliance.

Gently bring the heater down against the wall.

Mark the lower fixing bracket two fixing hole positions on the wall (see figure 3), remove the heater.

Drill the wall and insert the wall plugs.

Refit the heater to the wall and fasten the bottom fixing bracket to the wall using the screws provided to permanently fix the heater in place.



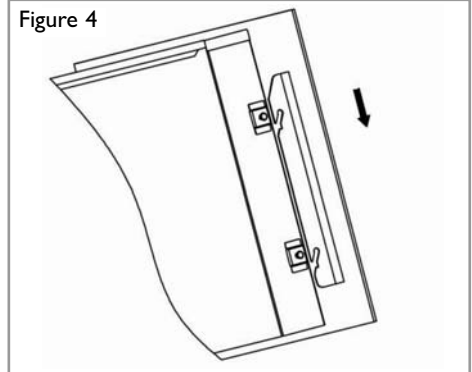
9.0 FITTING THE FRAME AND FUEL BED

GB IE

Unpack the pebbles from the bag and place them along the light unit in the desired position.

Place the front surround over the front of the fire aligning the slots in the brackets at each side of the front panel with the lugs on the sides of the fire. See figure 4.

Again two people will be required for this operation.



10.0 OPERATING THE APPLIANCE

READ ALL INSTRUCTIONS BEFORE USE!

Check that the heater outlet grille, mounted at the top of the appliance, is not covered or obstructed in any way, and ensure the power to the fire is switched on.

Manual Operation

This is done by operating the switches located at the top right hand side of the fire. The standby rocker switch must first be switched on, the fire will beep to indicate that it is powered up.

Press the O/I button once to turn on the appliance and fire effect. A red indicator light will show to indicate that the fire is ON.

Press the POWER button once for the low heat setting 900W; press twice for the high heat setting 1800W; press three times to switch off the heat setting.

Press the LED button to adjust the colours of LED decoration, 7 colours are available.

Remote Operation

The standby rocker switch located at the top right hand side of the fire must first be switched on; the fire will beep to indicate that it is powered up.

It takes a little time for the receiver to respond to the transmitter. Do not press the buttons more than once within two seconds for the fire to operate normally.

Press the ON/OFF button once to turn on the appliance and fire effect.

Press the 900W button once for the low heat setting; press twice to switch off the heat setting.

Press the 1800W button once for the high heat setting; press twice to switch off the heat setting.

Press the LED button to adjust the colours of LED decoration, 7 colours available.

11.0 SAFETY CUT-OUT SYSTEM

This appliance is fitted with a safety cut-off which will operate if the fire overheats (e.g. due to blocked air vents). For safety reasons, the fire will NOT automatically reset.

To reset the appliance, disconnect the appliance from the mains supply for at least 15 minutes. Reconnect to the mains supply and switch on the appliance.

12.0 REPLACING THE LAMPS

ALWAYS DISCONNECT THE APPLIANCE FROM THE MAINS SUPPLY OUT-LET SOCKET BEFORE UNDERTAKING ANY MAINTENANCE!

Excluding the lamps and fuse, use only genuine spare parts available from your supplier. Replacement lamps must be of the same wattage and specification as those stated in Section 3.0 Appliance Data/Specifications.

WARNING : THE LAMPS WILL REACH A HIGH TEMPERATURE DURING OPERATION

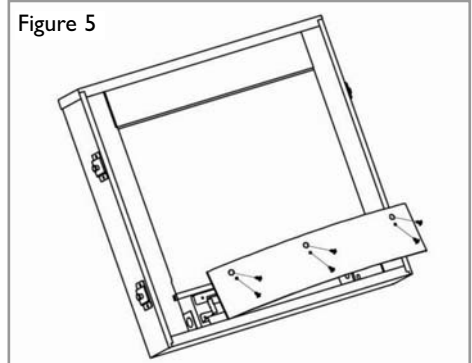
Allow the bulbs to cool down after switching off the appliance before replacing.

NOTE: Two people will be required for this process.

It is recommended that the fire is carefully removed from the wall and laid on its back in order to replace the lamps.

Gently slide the front panel towards the top of the fire and remove. Store safely out of the way whilst the bulb is replaced so that it does not get damaged.

At the bottom of the fire there is a lamp cover fixed by six Philips head screws, remove the screws and lift off the lamp cover. See figure 5.



12.0 REPLACING THE LAMPS - CONTINUED

GB IE

For access to the bulbs, carefully slide the flexible reflector strip to one side ensuring that the rubber grommet is not lost. See figure 6.

Remove the light screen fixed by one screw (see figure 7).

Remove the defective bulb(s) by pulling them out of the holder.

Replace with a 40W G9 halogen bulb. Take care not to touch the bulb with bare hands and ensure that the bulb is pushed home.

Refit the light screen.

Refit the reflector strip making sure that the rubber grommet is carefully pushed into the slotted hole on the bracket.

Lift the fire back onto the wall and replace the glass front by lifting onto the lugs either side of the fire. Ensure that the lower bracket is screwed to the wall.

Figure 6

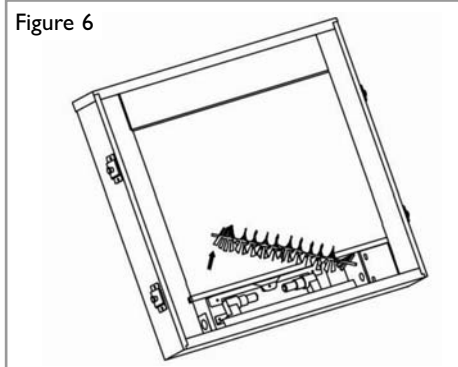
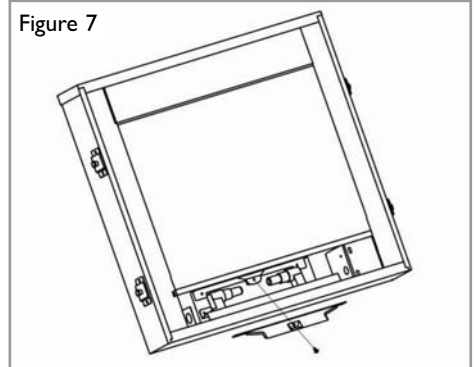


Figure 7



13.0 CLEANING AND MAINTENANCE

ALWAYS DISCONNECT THE APPLIANCE FROM THE MAINS SUPPLY OUTLET SOCKET BEFORE UNDERTAKING ANY CLEANING OR MAINTENANCE!

For general cleaning use a soft clean duster - never use harsh abrasive or cleaners.

The glass viewing screen should be cleaned carefully with a soft cloth. DO NOT use proprietary glass cleaners.

Electrical Connections - Plug Wiring Instruction

If the plug has to be changed, please follow the wiring instructions shown below.

The wires in the mains lead are coloured in accordance with the following code:

BROWN :	LIVE (L)
BLUE :	NEUTRAL (N)
GREEN/YELLOW :	EARTH (E)

If the colours of the wires in the mains lead of this appliance do not correspond with the coloured markings identifying the terminals in your plug, then wire the plug as follows:

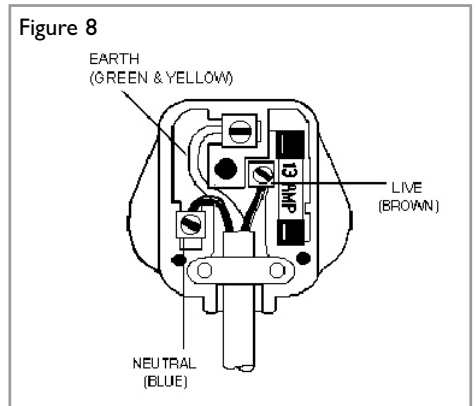
- The BLUE wire is the NEUTRAL and must be connected to the terminal which is marked with the letter N or coloured BLACK.
- The BROWN wire is the LIVE and must be connected to the terminal that is marked with the letter L or coloured RED.
- The wire which is coloured GREEN/YELLOW must be connected to the terminal which is marked E or the earth symbol or coloured GREEN or GREEN/YELLOW.
- Always ensure that the cord grip is positioned and securely fastened.

WARNING: THIS APPLIANCE MUST BE EARTHED.

If a 13A (BS1363) fused plug is used it must be fitted with a BS1362 13A fuse.

If in doubt consult a qualified electrician.

Figure 8



14.0 SPARES

Refer to Section 3.0 Appliance Data for lamp and fuse specification. Excluding lamps and fuses, use only genuine manufacturers spare parts available from your supplier.



Waste electrical products should not be disposed of with household waste. Please recycle where facilities exist. Check with your local authority or retailer for recycling advice.

As our policy is one of continuous improvement and development, we therefore hope that you will understand we must retain the right to amend details and/or specifications without prior notice.