

FOCALPOINT

OBLIQUE ELECTRIC

ELECTRIC WALL HEATER
MODEL P23E



FOCALPO

INSTALLATION AND USER INSTRUCTIONS

Read and understand these instructions completely before commencing any assembly or installation.

Check that all components are included in the pack.

Revision C - 09/07

Focal Point Fires plc, Christchurch, Dorset, BH23 2BT

Tel: 01202 499330 Fax: 01202 499326

www.focalpointfires.co.uk

e-mail: sales@focalpointfires.co.uk

FOCALPOINT



CONTENTS

| Section | Contents | Page No | Section | Contents | Page No |
|---------|--------------------------------------|---------|---------|--------------------------------|---------|
| 1.0 | Preliminary Notes | 1 | 8.0 | Preparing the Appliance | 3 |
| 2.0 | Appliance Data/Specifications | 1 | 9.0 | Fixing the Appliance | 4 |
| 3.0 | Electrical Installation Requirements | 1 | 10.0 | Operating the Appliance | 6 |
| 4.0 | Site Requirements | 2 | 11.0 | Safety Cut-Out System | 7 |
| 5.0 | Clearances to Combustible Materials | 2 | 12.0 | Maintenance - Lamp Replacement | 7 |
| 6.0 | Unpacking the Appliance | 3 | 13.0 | Cleaning | 8 |
| 7.0 | Component Checklist | 3 | 14.0 | Servicing | 8 |

1.0 PRELIMINARY NOTES

The Oblique electric wall heater provides convected heating in conjunction with a visual fuel effect display. The appliance is designed for indoor use, and can be flat wall mounted in the majority of wall positions anticipated. However as an alternative, it can be wall mounted in a corner location using the corner mounting bracket. The appliance can be located in any household room, with the exception of bathrooms. Read all of the instructions before commencing installation. Retain for future reference and pass on as necessary to subsequent owners of the appliance.

DO NOT use this appliance immediately below a fixed socket outlet.

DO NOT use this appliance in the immediate vicinity of a bath, shower, swimming pool or other area where water/moisture could present a hazard.

CAUTION: This appliance must not be used in conjunction with any timer, programmer or thermal control, or any other device that will switch on the appliance automatically, as a fire risk may occur if the heaters are accidentally covered or displaced. **Note:** The heater outlet is located on the top surface behind the front frame.

Do not allow the heater to be covered as this may cause overheating. Additionally, **DO NOT** place any items on top of this appliance. The appliance must not be placed near curtains or similar material. A clearance space of at least 500mm should be allowed in front of the appliance.

The electrical socket that the appliance uses **MUST** be easily accessible. Do not route the supply cord directly over or above the heater unit. If the cord is damaged, it must be replaced by a service agent or competent person.

2.0 APPLIANCE DATA

| | |
|-------------------|--|
| Weight (kg): | 11.2 kg (13.3kg including corner mounting bracket) |
| Dimensions (mm): | H 675 x W 546 x D 171(excluding corner mounting bracket) |
| Voltage (Volts): | 230-240V a.c. 50Hz |
| Heating Elements: | 2 x 900/1000 Watts |
| Supply Cord: | 2 metres |
| Supply Plug: | BS1363, (13A BS1362 Fused) |
| Location: | Indoor Use Flat or Corner Wall - Non Bathroom/Shower Rooms |
| Lighting: | 1 x 60W Amber "bayonet connection" lamp |

**This appliance conforms to European Directive:
73/23/EEC Low Voltage (Safety), and CE Marking Directive.**

3.0 ELECTRICAL INSTALLATION REQUIREMENTS

The appliance is supplied with a pre-wired 3-pin BS1363 plug (13 Amp fuse rated), and 2 metre cable. A standard switched outlet/wall socket, (including earth provision), must therefore be located within this distance, and be easily accessible in order to isolate the supply for maintenance and cleaning. This socket *must not* be mounted behind or above the appliance. Note: the pre-wired 3-pin plug should not be removed, as this may invalidate warranty.

It is recommended that the installation should be protected by a 30mA RCD, (Residual Circuit Device), either via the existing main consumer unit if fitted, or by a dedicated device as part of this installation.

IMPORTANT
THIS APPLIANCE MUST BE EARTHED
The manufacturer declines all liabilities for injury to persons, or damage to property, resulting from failure to observe this regulation, and/or failure to follow or observe these instructions.

4.0 SITE REQUIREMENTS

The appliance can be flat wall mounted via the brackets on the rear panel with the fixings provided. The wall should be relatively flat and not interfere with any of the ventilation slots in the rear panel. Alternatively, it can be mounted in a corner wall using the corner wall mounting bracket and fixings provided.

The wall must be structurally sound and of a material capable of withstanding moderate heat. Finished plaster, conventional wallpaper, dry-lined plaster board are examples of suitable materials. Materials such as flock, blown vinyl, embossed paper and cloth wall coverings which are sensitive to even small amounts of heat should be avoided, as some discolouration may occur.

It should be noted that the appliance creates warm convected air currents. These currents move heat from the room surroundings to, and up the wall surfaces adjacent to the heater. Installing the heater next to these types of wall coverings or operating the heater where impurities in the air, (such as tobacco smoke, soot from candles etc) may slightly discolour wall finishing.

If the appliance is to be mounted on a dry lined or timber framed construction then the integrity and ability of the wall to carry the weight of the appliance must be confirmed. It is important in these circumstances that any vapour barrier and/or structural members of the house frame are not damaged.

If you are unsure of the ability of the wall to carry the weight and/or which type of wall fixing to use, you should take professional advice and obtain the correct fixings. Alternatively, find a more suitable wall location.

- DO NOT**
- mount on a ceiling or floor or on any sloping surface.
 - recess any part of the appliance into the wall.
 - site any electrical equipment e.g. plasma screen TV sets etc, on the wall above the appliance.
 - site in a position where curtains or drapes could cover the appliance.
 - site in a position where other soft materials could cover e.g. below a coat rack.
 - site behind an opening door where mechanical impact/damage could occur.
 - site where the supply cable would become a trip hazard.
 - sit, stand or forcefully pull on the appliance.
 - obstruct, cover or force items into the openings.
 - use the heater to dry clothes.
 - site/use in an outdoor location(s).
 - run the supply cable under carpets or use if the plug/cable is damaged.

5.0 CLEARANCES TO COMBUSTIBLE MATERIALS

It is important that the following clearances are maintained from the appliance to combustible materials. These clearances are dependant on the mounting location as defined below:

Flat Wall Location:

The minimum distance from the top of the appliance to a ceiling is 700mm.

The minimum distance to the sides of the appliance is 100mm.

The minimum distance to the front of the appliance is 500mm.

The appliance can be wall mounted at floor level, providing it does not stand on a carpet or similar material. Allow clearance to carpets of 30mm.

A shelf may be mounted above the appliance provided it meets the requirements for shelves as detailed below.

| Shelf Depth (measured from wall) | Minimum Shelf Distance (measured from top of appliance, not the frame) |
|-------------------------------------|---|
| 50mm | 390mm |
| 100mm or 152mm | 490mm |

Note: the ability of any shelf to withstand prolonged moderate heat, eg 80°C must be assured.

Floor/Fireplace Flat Wall Location:

If mounted into a fireplace surround, ensure that the minimum clearance distances to mantles and/or any shelves fitted above the appliance are as specified above.

Note: the ability of any fireplace or surround to withstand prolonged moderate heat, eg 80°C must be assured.

Corner Wall Location:

The minimum distance from the top of the appliance to a ceiling is 700mm.

The minimum distance to the sides of the appliance is 100mm.

The minimum distance to the front of the appliance is 500mm.

The appliance can be wall mounted at floor level, providing it does not stand on a carpet or similar material. Allow clearance to carpets of 30mm.

Note: the manufacturer does not recommend fitting any shelves above the appliance when corner mounted.

6.0 UNPACKING THE APPLIANCE

Caution: This appliance is heavy. Always seek assistance whilst unpacking and/or during installation.

Read **all** the instructions before continuing to unpack or install this appliance. Carefully remove the appliance from its packaging and lay on the floor with its back surface downward.

Note: DO NOT stand the appliance on its front frame as this may cause distortion.

Check that the remaining packaging contents correlate with the component checklist below. Please dispose of all packaging with care at your local recycling centre.

7.0 COMPONENT CHECKLIST

| QUANTITY | DESCRIPTION |
|----------|--|
| 1 | Fire Appliance fitted with Decorative Frame and Corner Wall Bracket |
| 1 | Bag of Decorative Pebbles |
| 1 | Instruction Booklet |
| 1 | Screw Fixing Pack (6 x 37mm long round head screws and 6 plastic wall plugs) |
| 1 | Wall Mounting Template (for flat wall locations) |

8.0 PREPARING THE APPLIANCE

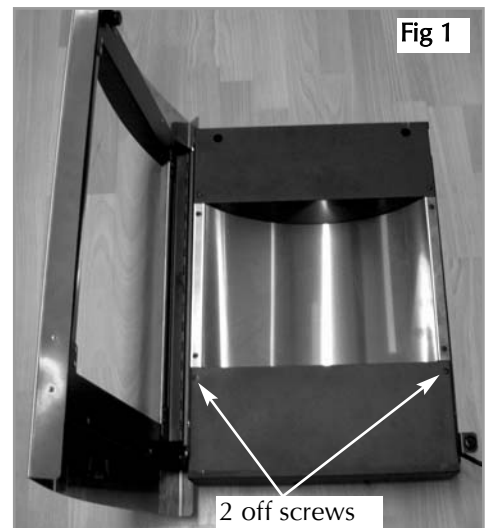
CAUTION: DO NOT connect the appliance to the supply at this stage.

1. With the appliance laying on its rear surface, ie with the front hinged door uppermost, carefully open the hinged door to its fully open position.

2. Now remove the 2 x No 8 Phillips self tapping screws, retaining the lower lamp cover plate, as shown in figure 1. Remove the cover plate by sliding towards the top of the appliance and then easing from its lower retaining slot.



Fig 2



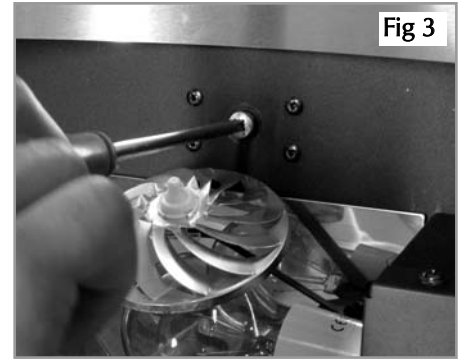
3. Carefully "ease" the white fuel bed from the appliance as shown in figure 2. Be careful not to damage the spinner or lamp during removal.

This allows access to the lower fixing position of the rear corner bracket attached to the back of the main case assembly.

4. Remove the lower rear corner bracket fixing screw by turning anti-clockwise, as shown in figure 3.

5. The front hinged door can now be carefully closed. Gently lift the appliance and remove the rear corner bracket by sliding the bracket downward slightly and remove completely from the appliance.

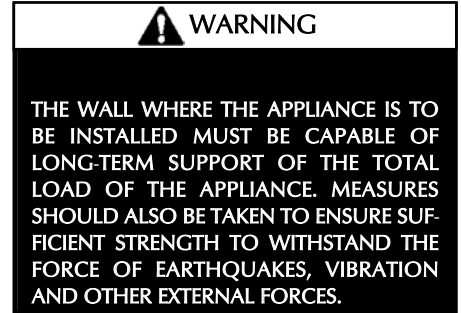
This completes the initial preparation stage.



9.0 FIXING THE APPLIANCE

Having selected the final mounting position for the appliance, taking into account the site requirements as detailed in sections 1.0 - 6.0, the heater can now be fixed to the wall.

Remove any protective film coatings from the finished/decorative surfaces of the appliance. To ensure customer safety, be sure to design the installation so that the strength of both the wall and any wall fixings used are sufficient.



Focal Point Fires plc. assumes absolutely no responsibility for injuries and damages that may occur due to improper installation or handling. The appliance should not be installed until all wet plastering and/or dry wall sanding and wall painting has been completed. Do not block the ventilation holes of the appliance. The wall onto which the appliance is installed must be flat. Install only on a vertical surface. Avoid sloped surfaces.

Installation onto anything other than a vertical wall may result in fire, damage or injury.

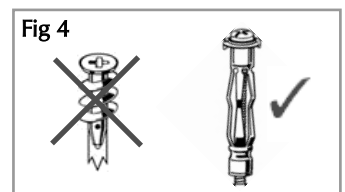


If the appliance is to be mounted on the inner leaf of a conventional cavity brick wall, or a solid wall, then the wall plugs and fixing screws provided may be used. Depending on the condition of the wall it may be necessary to use additional fixings. In this situation, any additional fixings and wall-plugs should be of the same size and type as the ones provided.



If the appliance is to be mounted on a dry lined wall or a timber framed construction wall then efforts should be made to fix in at least one positions vertically, into one of the wooden studs, or supporting wooden members of the wall using two of the fixing screw provided. If this is not possible then the wall should be strengthened using appropriate building materials.

If there is no alternative than to rely on *some* plasterboard fixings then special cavity screw fixings or hollow wall anchors will be required which are not supplied with this product. These should be constructed from metal and not plastic and of the design indicated in figure 4. If you are unsure, seek professional advice.



FIXING THE APPLIANCE (continued)

a) Flat Wall Location:

There are three fixing positions, two upper “hanging” positions”, and one lower position on the back-panel located behind the fuel bed. A template is provided to aid location of fixings. Use a spirit level to ensure that the template is level. This ensures that both upper and lower fixing positions are horizontally aligned.

Using the template in the required position on the wall, “mark through” the template and onto the wall at the three mounting locations designated “P23E” for this particular appliance. Now remove the template.

Wall Fixings:

If the appliance is to be mounted on the inner leaf of a conventional cavity wall or a solid wall, drill three holes using a 7.0mm masonry bit, to a depth equal to the wall plug, ie 37mm.

Insert the wall-plugs provided and ensure that they are flush with the wall. If the appliance is to be mounted on a dry lined wall or timber framed construction, then special cavity screw fixings will be required, that are not supplied with this product. Insert 2 x 37mm long fixing screws into the upper two wall-plugs, taking care to leave the screws protruding approximately 6mm from the wall.

The appliance can now be “hung” onto the two upper wall fixings, ensuring that the heads of the screws go through the keyhole shaped holes, and then drop down into the slot.

Ensure that the lower rear panel fixing hole aligns with the wall plug, and then insert 1 x 37mm long fixing screw and fully tighten.

Finally fully tighten the two upper fixing screws, through the two panel access holes at the front of the appliance.

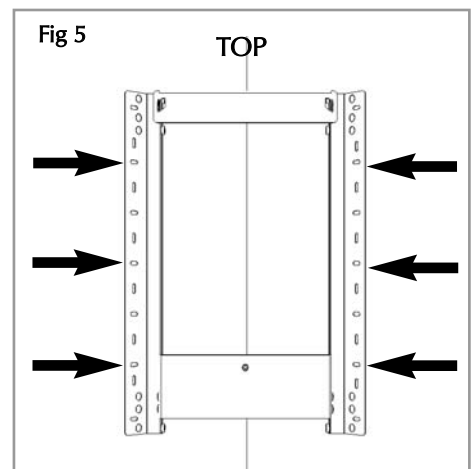
b) Corner Wall Location:

A fixing template is not provided for corner fixing as the corner fixing bracket itself may be used for the purposes of marking out. The corner that the appliance is to be installed into must be square and the walls must be flat. The corner fixing bracket is supplied pre-assembled.

Position the corner mounting bracket in the desired location, and using a spirit level, ensure the bracket is square and not twisted.

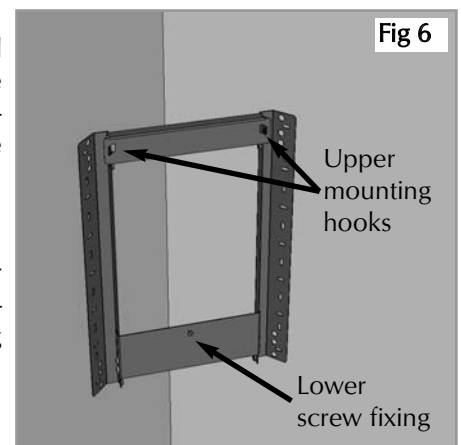
With the bracket held in position mark the required fixing positions on the wall. It is recommended that the bracket is fixed to the wall in at least six positions as shown in figure 5.

Note: Use of the horizontally slotted fixing holes may allow some fine adjustment before finally tightening the fixing screws.



Drill the wall as appropriate for the type of wall as previously described in this section, and insert the chosen type of wall fixings and attach the corner bracket to the walls, using the fixing screws. Before finally tightening the screws, use a spirit level again to check the bracket is square and not twisted.

With the corner mounting bracket in position, now hang the upper mounting brackets on the back panel of the appliance onto the two corresponding hooks on upper cross section of the corner mounting bracket (see figure 6).



Ensure that the lower retaining stud on the corner mounting bracket is visible and lines up with the hole in the lower back panel of the appliance, as previously shown in figure 3.

Refer to figure 3 and figure 6, fully open the door, and then re-insert the lower corner retaining screw through the hole in the rear of the appliance. Fully tighten the screw in a clockwise direction.

The appliance is now secured to the corner mounting bracket.

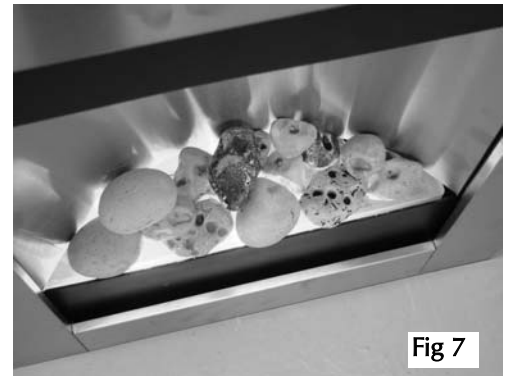
c) Re-assembly of Appliance for Either Wall or Corner Location:

Note: re-assembly is the reverse of disassembly as described in section 9.0

1. Refit the fuel bed, ensuring that the lamp spinner is free to rotate, see figure 2.
2. Refit the lower lamp cover plate, firstly inserting the bottom edge behind the lower firebox lip. Secure with the two screws previously removed, see figure 1.
3. Finally, peel off any remaining protective plastic coatings on the front frame, curved backpanel and the plastic fuel bed.

d) Placement of Pebbles:

Unpack the pebbles and arrange them over the fuel bed. The final pebble arrangement can only be done later when the lamp is switched on and light shines up through the transparent cover. The ideal pebble layout is shown in figure 7.



Ensure that all pebbles are placed such that they avoid any danger from falling off the appliance.

10.0 OPERATING THE APPLIANCE

Read All Instructions Before Use

Check that the heater outlet grille, mounted at the top of the appliance, is not covered or obstructed in any way, and ensure the power to the fire is switched on. The appliance is controlled using four switches mounted at the right hand side towards the top.

Note: Access to the switches is achieved by temporarily opening the door. Ensure door is closed following access. The door will hinge to the "fully open" position by gently pulling the right hand side away from the main appliance.

When mounted in the corner wall location be careful not to open such that the left hand side door edge interferes with the wall. The door is fitted with cushioned magnetic dampers that will hold the door in the closed position.

Control Switches:

The first switch towards the front, **marked (O1)**, controls the main power to the appliance and switches on the visual light display. This feature can be used independently of the heating features.

The next switch **marked (*)** operates the fan blower without heat, and can be used for cool air circulation. However for this feature, the main power switch (O1), must also be in the "on" position.

The next switch with a "single bar" **marked (I)** operates the low heat, (1kW), setting.

The switch with "two single bars" **marked (II)**, operates the high heat, (2kW) setting.



To operate the fire in any of the above modes, the front switch **marked (OI)** must be switched to the “on” position.

To operate the fire, the first switch must be turned on firstly, followed by the second switch to start the blower, if required. To obtain heat from the appliance, the I switch must then be operated for LOW heat, followed by the II switch for the HIGH heat setting.

The appliance can be switched off at any time, irrespective of the particular mode selected, by simply switching the first switch marked (OI) to the “off” position.

It is also recommended to unplug the power supply cable at the supply outlet when not in use.

11.0 SAFETY CUT-OUT SYSTEM

This appliance has a safety cut-out system fitted which will activate if the air inlets or heater outlets are obstructed. For safety reasons the fire **WILL NOT** switch on again automatically.

NOTE: The visual light effect will remain operational if the cut-out is activated, only the fan heater elements are prevented from operating.

The following procedure must be carried out before the fire can be operated again:

1. Unplug the power supply cable **at the outlet socket and place all switches to off at the appliance.**
2. Leave the fire OFF for a period of not less than 10 minutes, ensuring any obstructions are removed.
3. Plug in the power supply cable **at the outlet socket, and then switch on at the appliance.**

If the appliance fails to operate correctly, repeat the above procedure.

If an attempt to switch on is made before the safety cut-out has reset, the heaters may cut-out for a further period of time. If the sequence has been followed correctly and the heaters still fail to function, check the power supply cable plug is plugged in at the outlet socket. If this is not the cause, call an electrician.

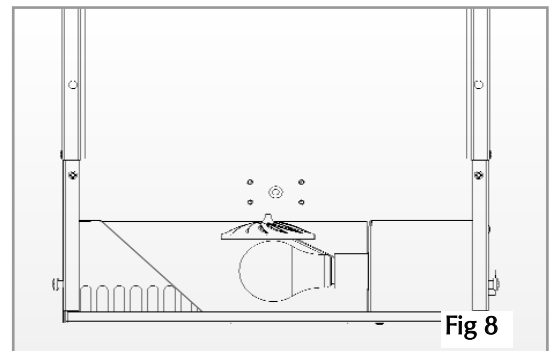
12.0 MAINTENANCE and LAMP REPLACEMENT

ALWAYS DISCONNECT/ISOLATE THE APPLIANCE AT THE SUPPLY/OUTLET SOCKET AND ALLOW TO COOL BEFORE UNDERTAKING ANY MAINTENANCE.

Excluding the lamp and fuse, use only genuine spare parts available from your supplier. Replacement lamps must be of the same wattage and specification as those stated in Section 2.0 Appliance Data/Specifications.

Replacing the Light Bulb.

1. Switch off at the appliance, and then disconnect the plug from the outlet socket.
2. Fully open the door and remove the lower lamp cover plate (2 x screws), as described in section 8.0 to gain access to the bulb. Note: the fuel bed can be removed if necessary to aid replacement.
3. The bulb has a conventional bayonet fitting. Remove and replace with the new bulb (see Fig 8 opposite).
4. Reposition the lower lamp cover plate and replace the two No 8 POZI screws, and tighten fully.
5. Re-connect electrical supply and check for correct operation of the lamp and spinner assembly.



13.0 CLEANING

ALWAYS DISCONNECT/ISOLATE THE APPLIANCE AT THE SUPPLY/OUTLET SOCKET AND ALLOW TO COOL BEFORE UNDERTAKING ANY CLEANING.

Regularly clean around the appliance to ensure that dust, fluff, pet hair/dander etc, are kept to a minimum.

There are no other specific requirements for care, other than regular cleaning of the general appliance. A wipe with a dry cloth is normally sufficient.

DO NOT use abrasive cleaners as they can damage the finish. Stainless steel parts may be cleaned using an appropriate metal cleaner or baby oil. Test on a hidden part of the stainless steel before cleaning. Clean only in the direction of the grain.

14.0 SERVICING

There are no internal user serviceable parts.

Check regularly for security of wall fixings as appropriate. Also check the security and condition of the supply cable and connections. If the supply cable becomes damaged, it must be replaced by a service agent or competent person, such as a qualified electrician.

The wires in the cable are coloured in accordance with the following code:

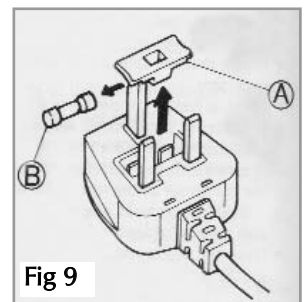
| | | |
|---------|---|--------------|
| LIVE | - | Brown |
| NEUTRAL | - | Blue |
| EARTH | - | Green/Yellow |

Fuse Replacement:

Use an approved fuse to BS 1362 and proceed as follows:

1. Remove the fuse cover (A) and fuse (B). See Fig 9.
2. Fit replacement 13A fuse into fuse cover, and then refit both into plug.

If the fuse cover (A) is missing or lost the plug must not be used until a replacement is fitted. Replacements are available from your local electrical store



Before Calling the Manufacturer

You will be charged for a Service Engineers visit if a problem with your appliance is caused by incorrect installation, incorrect use, or damage caused by use of ancillary equipment not defined as suitable in this instruction manual.

Please Note : Except where otherwise stated, all rights, including -copyright in the text, images and layout of this booklet is owned by Focal Point Fires plc. You are not permitted to copy or adapt any of the content without the prior written permission of Focal Point Fires plc.

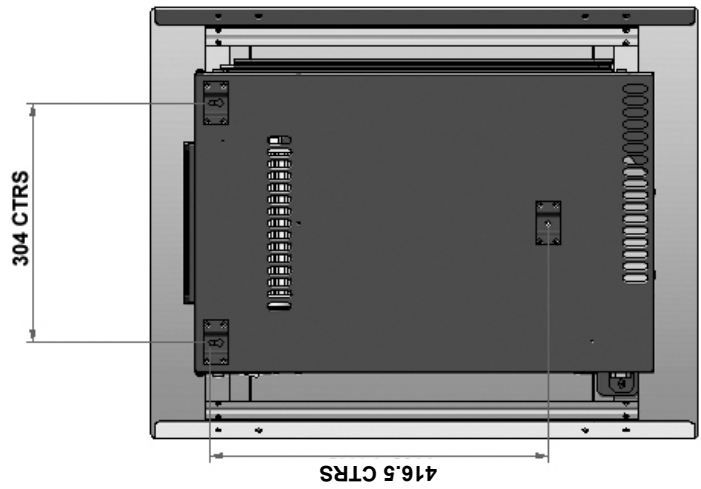
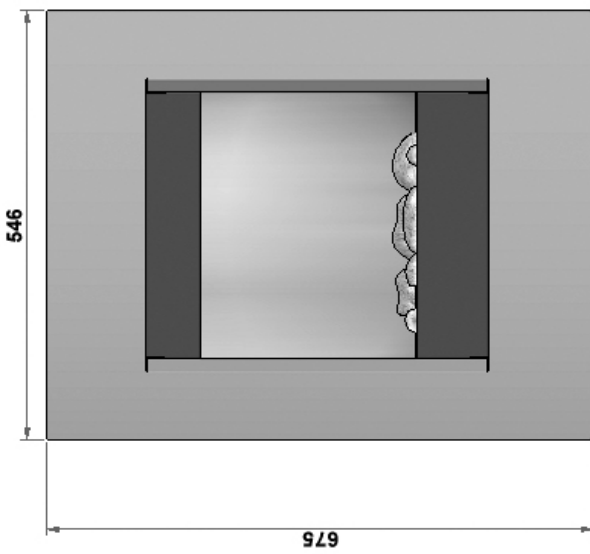
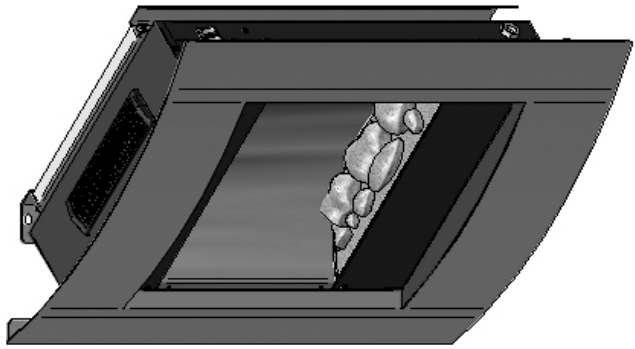
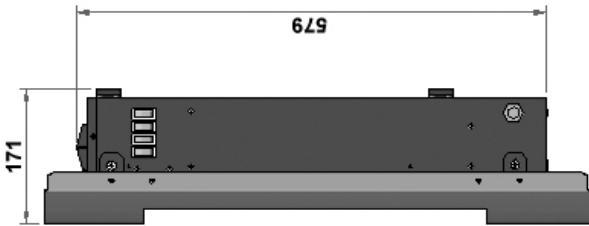
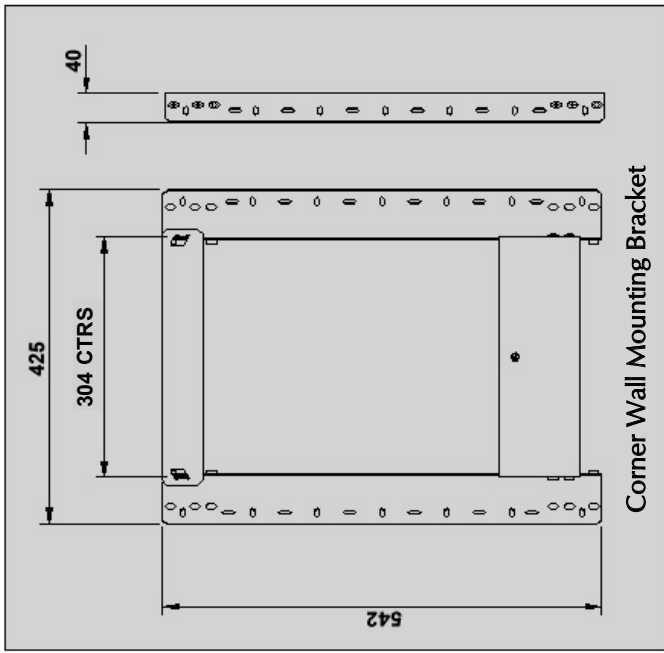


Waste electrical products should not be disposed of with household waste. Please recycle where facilities exist. Check with your local authority or retailer for recycling advice

As our policy is one of continuous improvement and development, we hope therefore you will understand we must retain the right to amend details and/or specifications without prior notice.

All dimensions in mm

© 2007 Focal Point Fires plc.



Appliance Views and Dimensions