

Section	Contents	Page No.	Section	Contents	Page No.
1.0	Important Notes	1	6.0	Installing the Appliance	2
2.0	Installation Requirements	1	6.1	Fitting the decorative frame & front	2
3.0	Appliance Data	1	7.0	Operating the Appliance	3
4.0	Unpacking the Appliance	1	7.1	Safety Cutout System	
4.1	Component Checklist	1	8.0	Maintenance	
5.0	Assembling the fuel bed	1	9.0	Cleaning	
			10.0	Spares	

## 1.0 IMPORTANT NOTES

**DO NOT** use this heater immediately below a fixed socket outlet.

**DO NOT** use this heater in the immediate vicinity of a bath, shower or swimming pool.

**CAUTION!** *This heater must not be used in conjunction with any timer, programme or thermal control, or any other device that will switch on the appliance automatically, as a fire risk may occur if the heater is accidentally covered or displaced.*

Do not allow the heater to be covered as this may cause overheating. The appliance must not be placed near curtains or similar material. A clearance space of at least one metre should be allowed in front of the appliance.

The electrical socket that the appliance uses **MUST** be easily accessible. Do not route the supply cord directly below the heater unit. If the cord is damaged, it must be replaced by a service agent or competent person.

## 2.0 INSTALLATION REQUIREMENTS

It is necessary for a suitable electrical socket to be located, and be easily accessible within a distance of 1.8 metres the appliance in order that the prewired plug can reach this point.

The appliance is suitable for installation into all proprietary surrounds with an opening of 406mm by 559mm (16" by 22").

The appliance is supplied fitted with 2 spacer frames enabling it to be fitted with no need for a recess in to a wall or surround back panel. Each spacer frame has a different depth, and once detached from the frame and fitted individually the mounting depths can be either 70 or 45mm. Alternatively the appliance can be fully recessed if the opening depth is 120mm or greater and neither spacer is used. To detach the spacer assembly remove the screws located around the perimeter of the appliance frame. The two spacers can be separated by removing the screws from their inside faces and then re-attached to the appliance frame, (if required) to give the correct recess depth. It may be installed directly into any proprietary surround that can house this size of rebate, without the need to recess the appliance into a wall opening or fabricate a false chimney breast.

This appliance should be positioned on a firm level surface that is free of dust and lint and should be maintained as such. If the fire is to be sited in a fire surround then the suitability of the surround for use with electrical heaters should be established with the fire surround manufacturer.

If fitted into an open draught fireplace, it is advisable to blank off the chimney to reduce the risk of draught through the fire, which may cause the safety cut out system in the fan heater to operate.

## 3.0

### APPLIANCE DATA

Supply Voltage	230V/240V ac 50Hz	Fuse Rating	13 Amp
Heating Elements	2 x 1000W/900W	Lighting	1 x 60W BC bulb

## 4.0 UNPACKING THE APPLIANCE

Read **all** the instructions before continuing to unpack or install this appliance. Remove the boxes/bags containing the marbles or other loose fittings from around the heater. When all loose parts have been removed, carefully lift the appliance from the carton. Check that the contents correlate with the component checklist below. Please dispose of all packaging with care at your local recycling centre.

## 4.1 COMPONENT CHECKLIST

QUANTITY	DESCRIPTION	QUANTITY	DESCRIPTION
1	Heater main body	1	User instruction booklet.
1	Decorative fireframe	3	Neoprene securing strips
1	Cable Fixing Kit	1	Fibre Rawl Plug
1	Moulded fuel bed	1	Bag of overlay marbles
1	Eyebolt		

## 5.0 ASSEMBLING THE FUEL BED

1. Ensure that the appliance is disconnected from the mains.
2. Remove the loose marbles from their packaging. Position the marbles onto the fuel bed 'shelf' evenly (after the Fireframe with integral bars has been fitted), so as to create a realistic effect.

**Warning:** The marbles supplied are for decorative effect only and can present a choking hazard, especially to small children and pets. If children or animals are to be left unsupervised in the same room as the appliance, it is recommended that a fireguard (conforming to BS8423) be installed for safety purposes.

## 6.0 INSTALLING THE APPLIANCE

To ensure the appliance is positively located into position, it is necessary to secure it in place using one of the following methods, either with the cable fixing kit, or the double-sided neoprene strips included in the instruction pack. Freestanding fires should use the neoprene strip method only.

### Fixing by neoprene strips

In normal installation circumstances, this method of fixing is satisfactory for use with marble, stone, laminate, or any smooth faced mounting surface. Peel off the adhesive backing from one side of each strip and apply to the periphery of the REAR of the appliance frame, as shown in the Fig.1. Ensure that the strips are not applied any closer than 5mm (1/4") from the edge of the frame, attaching the strips closer may present problems when fitting the decorative trim. Tear off any excess lengths of strip to form a neat border around the frame.

Before finally fitting the appliance into its location, remove the remaining strips of adhesive backing, ensure that the mains cable and plug are properly routed, locate the fire into the opening and press firmly around the edge of the frame to allow the strips to adhere to the back panel of the surround.

### Fixing by cable fixing kit

This method of securing is normally necessary when the mounting surface is of a rough texture, i.e. stone or brick.

Firstly mark and drill a suitably sized hole in the centre of the proposed appliance location, 250mm up from the hearth surface, or floor if no hearth is to be used. Insert the rawlplug into the hole, then screw in the eyebolt.

Withdraw the fuel bed and then the transparent flame effect screen by removing the two screen clamps, which are each held in place by two screws, one at the base the other at the top in to the hood. Insert the cable through the central hole in the back of the appliance (Fig.2), through the eyebolt and through the hole in the lower rear of the appliance. The screen can now be refitted with the textured side facing forward and secured under the screen clamps (reversing the previously described method), adjust the screens height to suit the fuel beds 'legs.' Remove the light bulb from its mounting by pushing it in and twisting. Thread the cable through the small hole in the front panel. Locate the appliance into its opening and pull the cable taught. Slide on the screwed nipple and keeping the cable reasonably taught, tighten the nipple to secure (see Fig.3). Replace the light bulb. The remainder of the cable may be coiled up and tucked behind the front when fitted, or fed back into the appliance through the hole and neatly coiled in the base, ensuring it does not come in to contact with any part of the flame effect motor. Fit the fuel bed and decorative frame.

**NOTE: When using this cable fixing method, the additional depth of the eyebolt must be taken into account. Therefore, using this method will increase the minimum mounting depth of the appliance by 20mm.**

## 6.1 FITTING THE DECORATIVE FRAME AND FRONT

FIRSTLY, IT IS VITALLY IMPORTANT THAT BEFORE HANDLING OR FITTING THE DECORATIVE FRAME THAT THE INSTALLER WEARS A PAIR OF PROTECTIVE GLOVES. THIS IS DUE TO THE SHARP EDGES THAT MAY BE PRESENT ON THE FRAME AND FRONT.

This appliance is supplied with a decorative frame and integral firefront.

The bars, frame and ashpan are protected by a plastic film on their front faces these should be removed prior to their fitting.

1) Stand one of the frame side legs on a flat surface, (i.e. with the angled part of the frame at the top). Insert one of the L shaped frame connector plates, into the two guides at the top of the leg.

Now repeat this process for the other frame side leg.

2) The frame top can now be attached to each side leg, by sliding the top frame into each L shaped connector plate, previously fitted.

Note: At each top corner the top frame should slide over the side legs and not under, when viewed from the front of the frame.

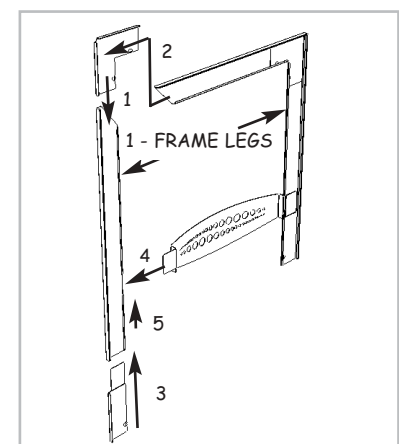
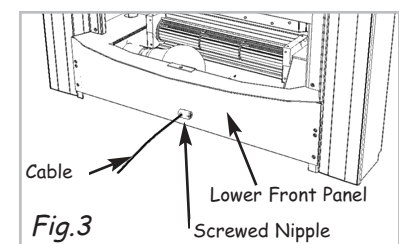
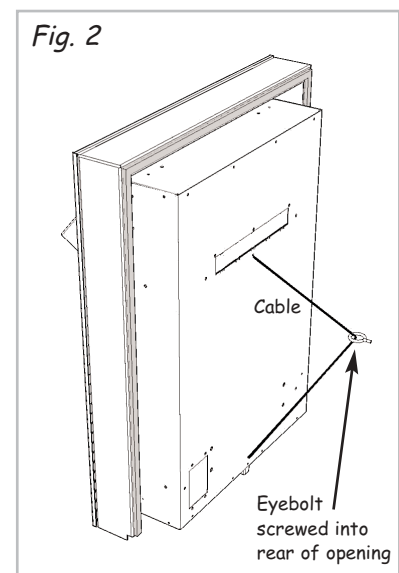
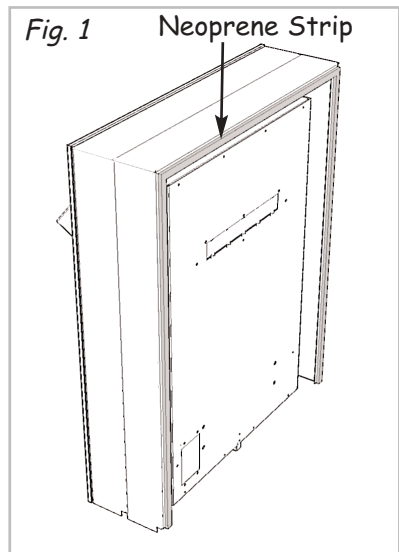
3) Lay the frame on a flat surface with the rear side facing upwards; now slide in the two firebar connector plates, (narrow section firstly), into the bottom guides of the frame legs (at the base of each leg). Do not slide the top of the brackets past the cut outs on the inside edge of the legs.

4) Lay the firebar 'lugs', with the reverse side facing upwards, into the two "cut outs" on either side of the frame. Note: the two lugs on either side of the firebar should be towards the top.

5) Now lock the firebar to the frame, by sliding the two connector plates flush into the frame.

6) If not fitted, push the rubber 'O' ring supplied in to the hole on the ashpan. Attach the handle to the front of the ashpan.

7) Attach the frame to the appliance using four magnetic pieces provided, on to the corners of the firebox frame. Place the ashpan centrally under the bars.



## 7.0 OPERATING THE APPLIANCE

Check that the fan outlet is not covered or obstructed in any way and ensure the power to the fire is switched on.

The appliance is controlled using four switches, mounted under the lift up hood. The left switch (OI) controls the main power to the fire and switches on the fuel effect, which can be used independently of heat for visual effect only. The second switch (\*) operates the fan blower without heat, which can be used in the summer for cool air circulation. The switch marked with a single bar (I) operates the fan heater on the LOW setting (1kW). The switch marked with two bars (II) operates the fan heater on the HIGH setting (2kW).

To operate the fire, the left switch must be turned on first, followed by the second switch to start the blower, if required. To obtain heat from the appliance, the I switch must then be operated for LOW (1kW) of heat, followed by the II switch for the HIGH setting. It is not possible to obtain heat from the appliance without first switching on the main power switch (OI) and the fan blower switch (\*) in conjunction with either the LOW (I) or both the LOW and HIGH (II) switches.

## 7.1 SAFETY CUTOUT SYSTEM

This appliance has a safety cutout system fitted, which will activate if the air inlets or outlets are obstructed. For safety reasons the fire will NOT switch on again automatically, the following procedure must be carried out before the fire can be operated.

**NOTE: The visual effect will remain operational if the cutout is activated; only the fan heater is prevented from working.**

Switch OFF the appliance **at the wall socket or outlet**. Leave the fire OFF for a period of no less than 10 minutes, ensuring all obstructions are removed. Switch the appliance ON **at the wall**. Ensure the appliance is turned ON at the control switches. If the fire fails to operate correctly, repeat the above procedure. If an attempt to switch on the appliance is made before the safety cutout has reset, the appliance may cutout for a further period of time. If the sequence has been followed correctly and the appliance still fails to function, check the fuse in the wall outlet. If this is not the cause, call an electrician or maintenance engineer.

## 8.0 MAINTENANCE

**ALWAYS DISCONNECT THE APPLIANCE FROM THE MAINS SUPPLY BEFORE UNDERTAKING ANY MAINTENANCE.**

Excluding lamps and fuses, use only genuine spare parts available from your supplier. Replacement lamps must be of the same wattage and specification as those stated in Section 3.0 Appliance Data.

### **Replacing the light bulb.**

The fuel effect bulb can be replaced by firstly placing the fire front to one side and then by following the steps described.

1. Disconnect the appliance from the mains.
2. Remove the ashpan and frame and then withdraw the marbles and fuel bed by pulling it gently towards you.
3. Pull the front of the blue film up, out of its retaining clips. Remove the light bulb. Note that the bulb has a conventional bayonet fitting. Replace with a new bulb, rated no greater than 60 Watts.
4. Refit the fuel bed.
5. Replace the frame and ashpan and set out the marbles.

## 9.0 CLEANING

There is no specific requirement for care of the fire other than a regular cleaning of the general appliance. The loose marbles may be dusted in situ using a feather duster (or similar) or may be removed and individually washed. The marbles must be thoroughly dried before refitting.

Stainless steel areas may be cleaned using a soft damp cloth or a stainless steel cleaner. **IMPORTANT** - Always clean in the direction of the grain and never across it, as this will scratch the surface. It is recommended that a small, inconspicuous area is attempted before cleaning the entire stainless steel area - to ensure the cleaning material is suitable. Be careful when removing the frame as the loose marbles may become dislodged.

Painted areas may be cleaned using a dry cloth.

The area around the fire should be kept free of lint, animal hair and other extraneous material that may be drawn in to the workings of appliance and could affect its performance.

## 10.0 SPARES

Refer to Section 3.0 Appliance Data for lamp and fuse specification. Excluding lamps and fuses, use only genuine manufacturers spare parts available from your supplier.