



**FOCALPOINT**

# TIMELESS COLLECTION

SOHO FIREFRONT  
FINSBURY FIREFRONT

MULTIFLUE  
FUEL EFFECT GAS FIRE  
INSTALLATION AND USER INSTRUCTIONS



**FOCALPOINT**

All instructions must be handed to user for safekeeping

Revision B - 10/08

Country(s) of destination - GB/IE

Focal Point Fires plc, Avon Trading Park, Christchurch, Dorset BH23 2BT

Tel: 01202 499330 Fax: 01202 499326

[www.focalpointfires.co.uk](http://www.focalpointfires.co.uk)

e-mail: [sales@focalpointfires.co.uk](mailto:sales@focalpointfires.co.uk)



**FOCALPOINT**

**CE**

# INSTALLATION INSTRUCTIONS



*'Soho' Firefront*



*'Finsbury' Firefront*

## ***Preliminary Notes Before Installation***

This appliance is an Inset Live Fuel Effect appliance that provides radiant warmth utilising the latest type burner technology.

The fire is designed to fit various types of fireplaces and natural draught flues as listed in the Installation Requirements.

The appliance must be installed by a competent person in accordance with Gas Safety (Installation and Use) Regulations 1998. It is strongly recommended that a CORGI registered engineer be used for this purpose.

Read all these instructions before commencing installation.

This appliance must be installed in accordance with the rules in force and only used in a sufficiently ventilated space.

The appliance is designed for installation on to a non-combustible hearth of at least 300mm depth.

This appliance is factory set for operation on the gas type, and at the pressure stated on the appliance data plate.

Please note : Except where otherwise stated, all rights, including copyright in the text, images and layout of this booklet is owned by Focal Point Fires plc. You are not permitted to copy or adapt any of the content without the prior written permission of Focal Point Fires plc.

<i>Section</i>	<i>Contents</i>	<i>Page No.</i>	<i>Section</i>	<i>Contents</i>	<i>Page No.</i>
1.0	Important Notes	1	8.4	Cable Fixing	6
2.0	Appliance Data	2	8.5	Fitting the Burner Tray	7
3.0	Installation Requirements	2	9.0	Fuel Bed Layout (coal versions)	7
4.0	Site Requirements	3	9.1	Fuel Bed Layout (pebble versions)	8
4.1	Debris Collection Space	4	10.0	Fitting the Fireframe	9
5.0	Ventilation	4	11.0	Testing and Commissioning	9
6.0	Pre Fabricated Flue Boxes	4	11.1	Operating the Appliance	9
7.0	Unpacking the Appliance	4	11.2	Spark Failure	9
7.1	Component Checklist	5	12.0	Setting Pressure	9
8.0	Installation of Appliance	5	12.1	Spillage Monitoring System	9
8.1	Preparing the Appliance	5	13.0	Testing for Spillage	10
8.2	Preparing the Opening	5	14.0	Briefing the Customer	10
8.3	Gas Supply Routing	6	15.0	Servicing	10
			16.0	Troubleshooting Guide	11

## 1.0 IMPORTANT NOTES

This fire is an Inset Live Fuel Effect Gas Fire providing radiant warmth. It is designed to operate on Natural Gas only.

It is the LAW that all gas appliances and fittings are installed by a competent person (such as a CORGI registered fitter) and in accordance with the Gas Safety (Installation and Use) Regulations 1998, the relevant British Standards for Installation, Codes of Practice and in accordance with the Manufacturers' Instructions. The installation shall also be carried out in accordance with the following regulations:

The Building Regulations issued by the Department of the Environment, the Building Standards (Scotland) (Consolidation) Regulations issued by the Scottish Development Department.

BS 5871 part 2  
 BS 5440 part 1  
 BS 5440 part 2  
 BS 1251  
 BS 6891  
 BS 6461 part 1

*Note - For Republic of Ireland, reference should be made to the relevant standards governing installation, particularly in regard to flue sizing and ventilation. See IS813, ICP3, IS327 and any other rules in force.*

***Failure to comply with these regulations could lead to prosecution and deem the warranty invalid.***

***This appliance must be installed in accordance with the rules in force and used only in a sufficiently ventilated space.***

***Consult all instructions before installation and use of this appliance.***

***This appliance is free from any asbestos material. Refractories and coal bed are constructed from ceramic fibre.***

## 2.0

### APPLIANCE DATA

Gas Group	G20 Natural Gas CAT I2H
Inlet Pressure (+/- 2.0mbar)	20 mbar
Max Energy Input (gross)	6.2kW
Min Energy Input (gross)	3.5kW
Pilot Energy Input (gross)	166W
High Setting Pressure (+/- 1.5mbar)	17.5mbar
Low Setting Pressure (+/- 0.75mbar)	6.0mbar
Main Injector Burner	Stereo size 77/size 78
Gas Control Valve	Dungs BM733/NGC6802D
Oxypilot	OP 9090
Gas Inlet Connection	8mm compression
Ignition	Piezo spark
Spark Gap	3.5 to 4.5mm
Weight	20KG

Please see Data Badge affixed to appliance for current data.

***This appliance is for use only with the gas type, and at the pressure stated on the appliance Data Badge, and is for decorative purposes.***

## 3.0

### INSTALLATION REQUIREMENTS

This appliance **MUST NOT** be installed into a room containing a bath or shower, or where steam may be present. The fire has been designed to fit into a builders' opening or fireplace conforming to BS 1251 (and meeting certain dimensional requirements), or a suitable flue box complying with the constructional requirements of BS 715. The flue box must be installed onto a suitable non-combustible insulating surface at least 12mm thick, covering the entire base area of the box.

The flue must have an effective height of at least three metres, as measured from the hearth to the top of the flue. Any flue damper plates or restrictors should be removed and no other restriction fitted to the flue. Where removal is not practical, the restriction must be fixed in the fully open position.

A natural draught flue system is required, and if previously used for solid fuel or oil burning, the flue and chimney must be swept prior to appliance installation. Pre-cast flues must be checked for mortar fangs and correct installation of joints, flue sections in loft space and terminals. The flue must be checked before installation by using a smoke pellet or similar to ensure proper draw and that leakage is not evident at any joints. Repair and re-test as necessary before the appliance is installed.

The flue must be connected to only one fireplace, and the flue must not vent more than one appliance (i.e. not shared with a gas back boiler). There must be no opening in the flue apart from the one that the appliance is installed into, and the one venting the gases into the air. A suitable terminal may be fitted, such as class GC1, as regulations allow.

This appliance has been tested for use in a pre-cast block flue complying with BS 1289. In accordance with BS EN 1858, pre-cast flues built with directly plastered faces (front or rear) are not correctly installed as to ensure proper operation with **any** type of gas fire. In some instances of this flue construction, temperature cracking of the surface plaster may occur through no fault of the appliance. An air gap or some form of insulation material should be installed to prevent normal flue temperatures from damaging wall surfaces.

This appliance is suitable for use with a "lightweight" surround and back panel of 150°C minimum rating.

## 4.0 SITE REQUIREMENTS

The fireplace opening should be inspected and repairs made where necessary. Any chair brick or fireback may be left in situ, providing that the dimensional requirements for debris collection space and spigot clearances are met. See diagram below.

The opening **WIDTH** and **HEIGHT** dimensions should be between 350mm and 450mm wide, and 540mm to 575mm high. For flues used with solid fuel, minimum **WIDTH** is 380mm.

Opening **DEPTH** should be 128mm or greater for a clay/cement lined or pre-cast flue which is new, unused or previously only used with a gas fire. **DEPTH** should be 168mm or greater for a flue which has previously been used for a solid fuel or oil burning appliance. Opening **DEPTH**s include any plaster or infill panels which form part of the installation.

This appliance requires a natural draught flue system which may be one of the following;

225mm x 225mm (9in x 9in) brick or stone.

125mm (5in) minimum diameter lined brick or stone.

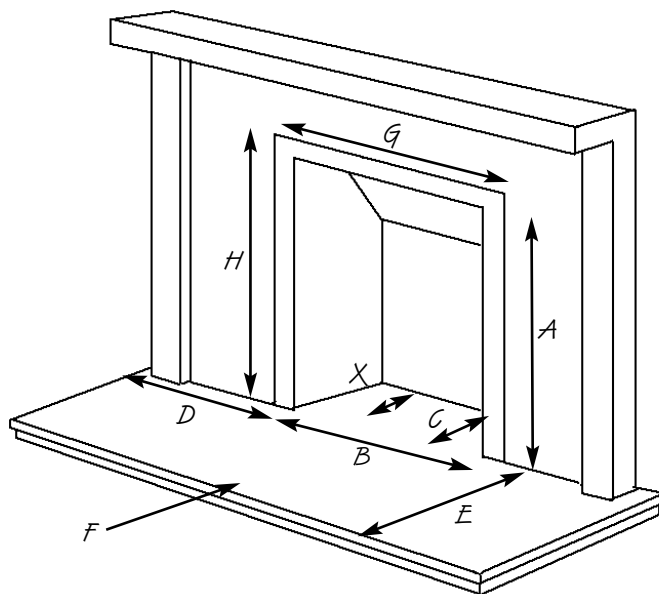
125mm (5in) minimum diameter twin wall flue conforming to BS 715 or BS EN 1856 Part 1.

Pre-cast block flue complying with BS 1289 or BS EN 1858.

Any existing under grate draught device must be sealed off. The opening wall must be non-combustible.

The appliance requires a hearth with non-combustible surface of at least 12mm thick. The top surface must be at least 50mm above the surrounding floor level, or be surrounded by a raised edge or fender 50mm high.

To enable the products of combustion to be cleared properly up the flue, the outlet at the back of the appliance must have a 50mm minimum clearance between it and the back wall of the opening or any other obstruction. The area immediately above the outlet must form a smooth path into the flue.



- A. Opening height: 540mm min/575 mm max.
- B. Opening width: 350mm min/450mm max.
- C. Mounting depth: 108mm
- D. Hearth must extend minimum of 150mm either side of the opening.
- E. Hearth must extend minimum of 300mm in front of the firebed.
- F. Non-combustible hearth must be a minimum of 50mm in height, or be surrounded by 50mm high fender.
- G. 470mm: This area must be flat and vertical to allow good frame sealing.
- H. 585mm: This area must be flat and vertical to allow good frame sealing.
- X. See section 4.1.

Any type of fire surround used with this appliance must be adequately sealed to the wall and floor.

A combustible shelf may be fixed to the wall above the fire, providing that it complies with the dimensions given below.

<i>Maximum depth of shelf</i>	<i>Minimum distance from inside edge of fire frame to underside of shelf</i>
100mm (4in)	203mm (8in)
150mm (6in)	305mm (12in)
203mm (8in)	356mm (14in)

A non-combustible shelf may be fitted to within 10mm of the top edge of the fireframe. Combustible materials, such as wood, may be fitted to within 100mm (4in) of either side of the fireplace opening, providing the forward projection does not exceed 100mm (4in).

Any combustible side walls must be at least 500mm to the side of the radiant heat source.

As with all heating appliances, any decorations, soft furnishings, and wall coverings (i.e. flock, blown vinyl and embossed paper) positioned too close to the appliance may discolour or scorch.

## 4.1 DEBRIS COLLECTION SPACE

The mounting depth of this appliance is 108mm.

In accordance with BS 5871 part 2, minimum debris collection volumes are required behind the installed appliance. These are shown in the table below and as dimension X on the fireplace diagram shown previously.

**CLAY/CEMENT LINES OR BLOCK FLUE WHICH IS NEW, UNUSED, OR PREVIOUSLY ONLY USED WITH A GAS FIRE.**  
*X Dimension = 20mm*

**UNLINED FLUE OR CHIMNEY WHICH HAS BEEN PREVIOUSLY USED FOR A SOLID FUEL OR OIL BURNING APPLIANCE**  
*X Dimension = 60mm*

## 5.0 VENTILATION

**No purpose provided ventilation is normally required for this appliance.** The requirements of other appliances operating in the same room or space must be taken into consideration when assessing ventilation.

If spillage is detected when commissioning the appliance, then amongst other problems there may be insufficient natural ventilation for correct operation of the flue. If the appliance does not spill with the windows open, but spillage is detected with the windows closed, this demonstrates a lack of natural ventilation. If spillage is still detected with the windows open, the flue is at fault. Installation of an air brick is the best solution to lack of ventilation. Any ventilation fitted must comply with BS 5871 part 2 and BS 5440 part 2. Vents fitted under or within the immediate vicinity of the appliance must not be used as adverse effects to the operation of the ODS may occur.

Spillage detected during commissioning is almost always a result of poor flue performance that cannot be corrected by any amount of ventilation.

For Republic of Ireland ventilation may be required, see IS 813, ICP3, IS 327, and any other rules in force.

## 6.0 PREFABRICATED FLUE BOXES

This appliance can be fitted into a number of proprietary flue boxes provided that the minimum dimensions given in the diagram below are complied with.

**Constructional Note:** The frame of the fire, any back panel or other infill panels, and the flue box must be sealed together so that there is no possibility of leakage between them. Adequate clearances to combustible materials (e.g. false chimney breast construction) must be maintained.

**The manufacturers' instructions for fitting the prefabricated box shall be complied with at all times.**

To fit the fire using the cable fixing kit, some minor adaption may be necessary for certain flue boxes. A check should be made to ensure the firebox does not obscure the flue box outlet.

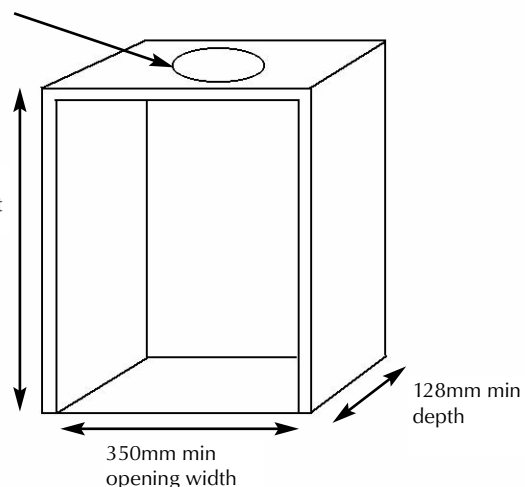
The firebox, base of the flue box, and hearth below may be drilled to allow plugs and screws to secure installation.

It is important that the sealing requirements of the appliance are met at all times and that the flue box is well sealed to any back or infill panel.

**Note:** The DEPTH dimension is inclusive of any back or infill panel.

125mm min internal dia  
twin wall flue

540mm min  
opening height



## 7.0 UNPACKING THE APPLIANCE

Stand the carton the right way up, cut the strapping bands and remove the top endcap. Read **all** the instructions before continuing to unpack or install this appliance.

Remove the box containing the cast front, and the bags containing the coals. Remove the cardboard packing pieces, and any other bags or boxes containing fittings or other parts. When all loose parts have been removed, the outer sleeve may be lifted off to reveal the appliance. Check that the components supplied correlate with the component checklist given in section 7.1. Please dispose of all the packaging materials at you local recycling centre.

## 7.1 COMPONENT CHECKLIST

QUANTITY	DESCRIPTION
1	Firebox and burner tray assembly
1	Decorative Firefront
1	Moulded ceramic fibre combustion matrix
15	Individual ceramic coals
2	Ceramic fibre side cheeks
2	Ceramic brick panels
1	Cable fixing kit; 2 cables, 2 tensioners, 2 cable clamps, 4 fixing eyes.
1	Sealing grommet
3	Lengths of adhesive sealing strip.
1	Self tapping screw pack; 4 No8 x 5/16.
1	Deflector baffle
1	Spigot restrictor
1	Set of manufacturers instructions.
4	Wall Plugs

## 8.0 INSTALLATION OF APPLIANCE

*Note: Ensure that the gas supply is isolated before commencing installation of the appliance.*

The fireplace opening and environment must be in compliance with specifications laid down in the appropriate sections of these instructions.

### 8.1 PREPARING THE APPLIANCE

Remove the appliance from its carton as described previously and stand on a dust sheet or similar. Place the coals, ceramics and fixings safely to one side.

Remove the burner from the assembly by removing the two screws in the data/control plate. Lift away the plate, and remove the two screws retaining the tray legs. The tray is now free and may be lifted away.

Knock out holes are provided in the rear of the firebox for use where concealed pipework is required. Knock out the holes with a sharp tap from a hammer and fit the rubber grommet supplied. A small incision can now be made in the rubber to slip snugly around the outside of the supply pipe and sleeving.

**Note: DO NOT** install or use the appliance without this seal in place.

If the hole is inadvertently opened, reseal with an intact grommet. Failure to fit this seal correctly will cause the flue suction to act upon the area under the burner resulting in poor performance.



**SPIGOT RESTRICTOR.** If fitting the fire into a Class 1 or good Class 2 flue, attach the spigot restrictor to the rear of the appliance using screws provided.

If spillage is detected during the commissioning of the appliance, the spigot restrictor should be removed immediately.

### 8.2 PREPARING THE OPENING

Before installing the fire, check the flue for correct operation using a smoke pellet. All of the smoke should be drawn up the flue and exit correctly from the terminal. If problems are found DO NOT fit the fire until corrective action is completed.

Protect the decorative hearth whilst pushing the firebox in and out of the opening. Part of the packaging is an ideal hearth saver pad.

Before running the gas supply into the opening, offer up the firebox to the fireplace to check the fit is good. Ensure that it slides in correctly, the sealing face sits flat and square to the wall or infill panel, and that the base is firm in the floor of the opening as no leaks are permissible here. At this stage it is essential to ensure that the spigot outlet of the fire is not obstructed in any way. Remove the firebox and take any necessary measurements before making good and preparing for final installation. Apply the self adhesive sealing strips around the edge of the rear of the firebox frame, approximately 5mm in from the edge.

## 8.2 PREPARING THE OPENING (continued)

**Cable fixing:** For fixing the fire by the cable method, see relevant section.

**Fixing by screw:** Mark and drill the fireframe or base, and relevant points in the opening or on the wall. Rawlplugs will be required.

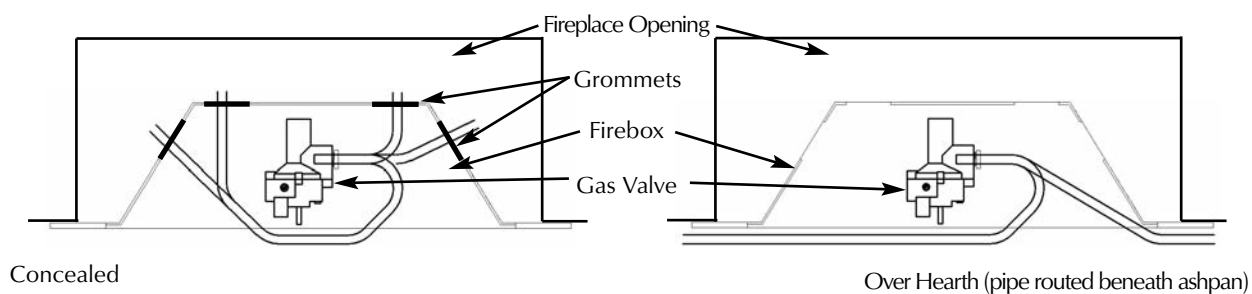
**Gas supply:** Following preparation for the fixing method, the concealed gas supply (if required) can now be put into place. Refer to the relevant section for suggested pipe routes. The ends of the sleeving in which the gas pipe is run should be sealed. The end of the 8mm supply pipe should be temporarily sealed to prevent the ingress of debris during fixing.

## 8.3 GAS SUPPLY ROUTING

When the opening is ready for installation of the fire, the gas supply can be routed as shown in the following diagrams.

An isolator cock or restrictor elbow must be fitted to the incoming supply to facilitate servicing.

If using a concealed supply it should be laid in accordance with the diagram below. Select the supply route most relevant to the entry point of the gas supply into the fireplace opening.



The gas pipe must be suitably protected where it passes through fireplace openings. Any sleeving should be sealed to the pipe at its ends.

The open end of the gas supply pipe should be temporarily sealed to prevent ingress of dust and dirt during installation.

## 8.4 CABLE FIXING

Drill four holes using a 8mm masonry bit to a depth of 42mm as shown in the diagram and fit the wall plugs. If the fireplace does not allow for the exact layout shown, the eyebolts should be fixed to give a similar configuration as possible.

Thread both tensioning cables through the holes at the top of the firebox, both eyelets, and back through the lower holes in the firebox as shown in the photograph. Before finally fitting the firebox, apply the self-adhesive sealing strips around the rear of the firebox frame.

Push the appliance back into the fireplace, centralise and pull the loose cables through the holes into the firebox.

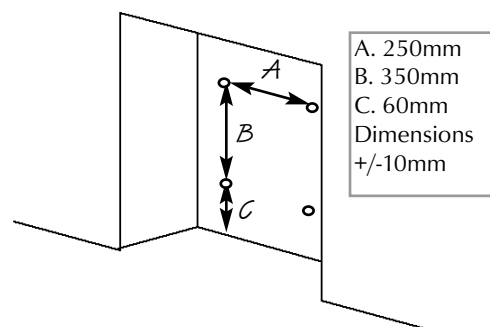
Thread the cable tensioners onto the cables as shown, with the nuts screwed down close to the tensioner head.

Slide the screwed nipple onto the cable, pull cable taut and tighten nipple.

Adjust tensioner using a suitable spanner to pull the appliance back into position, to allow an even seal around the fireplace opening.

Visually inspect the seal and reseal if necessary.

Surplus tension cable **MUST NOT** be cut off as this will prevent proper installation after servicing. Coil up the surplus cable and tuck the coils out of the way as suggested in the photograph.



6



## 8.5 FITTING THE BURNER TRAY

**Important Note:** Check the thermocouple nut connection into the rear of the valve is secure.

Temporarily fit the burner tray and ensure a suitable gas route can be achieved. Place the burner tray into the firebox making sure that the rear lugs locate properly on to the ledge in the firebox. Fit the two securing screws through the tray legs to secure the assembly.

Connect the gas supply and tighten the gas connections. Fit the data/control plate to the tray using the two screws provided. Ensure that the control knob can be pushed fully in and does not touch the plate.

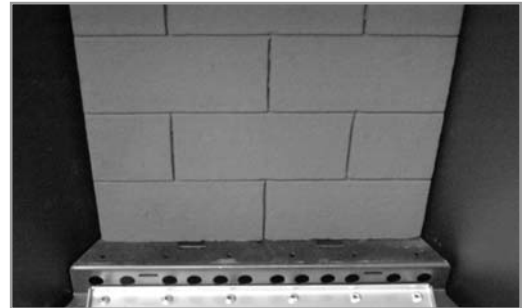
## 8.6 GAS CONNECTION

Purge the gas supply to remove any air, and connect the previously installed gas supply to the control tap and tighten all joints.

If using an across hearth connection ensure the decorative frame and firefront will clear the supply route. If the data/control plate is not already fitted, attach with two screws, ensuring the control knob is free to be depressed fully.

## 9.0 FUEL BED LAYOUT

Fit the tapered brick pad into the securing brackets in the upper area of the firebox. Place the large brick panel against the rear of the firebox



Place the ceramic combustion matrix onto the burner and the ceramic side cheeks onto the matrix.



Place the front row of six coals on to the matrix, with the two coals second front each end turned on their sides. Ensure the coals are firmly against the side cheeks as shown in the photograph. If necessary, pull the coals forward slightly to ensure their rear edges do not overhang the flame ports. Corners or rough edges **MUST NOT** be allowed to enter the flame ports. If in any doubt pull the coals as far forward as possible.



Place the middle row of five coals onto the flats in the matrix. Ensure the coals are not put into the holes in the matrix. Place the two end coals firmly against the side cheeks and back to the steps on the matrix, turning them on to their sides as shown.



Place the rear row of four coals, making sure that the flat sides are firmly against the brick panel and side cheeks as shown.

**Note:** The coals must not be crammed together, or inserted into the holes in the matrix. A well laid out, generously spaced coal layout will give the best results.



## 9.0 FUEL BED LAYOUT (continued)

Coals may be rotated slightly within their positions to give a good visual effect.

The edges or corners of the front row of coals **MUST NOT** be allowed to enter the flame slots in the matrix. If in doubt, pull them forward as far as possible. Pay special attention to finally adjust the coals with the fire lit on the HIGH setting in order to ensure that no flames play onto the firebox sides. This will reduce the possibility of heat discolouration.

The fire is designed to operate correctly with the coals supplied when assembled according to the instructions. Never add to the fifteen coals, or change them for a different type. Never throw rubbish or other matter onto the coal bed.

## 9.1 FUEL BED LAYOUT - Pebble effect option

This fire is supplied with 15 ceramic pebbles. The pebbles may vary slightly in size, shape and colour, in order to allow a realistic layout.

Fit the tapered brick pad into the securing brackets in the upper area of the firebox. Place the large brick panel against the rear of the firebox



Place the ceramic combustion matrix onto the burner and the ceramic side cheeks onto the matrix.



Place the front row of six pebbles on to the matrix. Ensure the pebbles are firmly against the side cheeks as shown in the photograph. If necessary, pull the pebbles forward slightly to ensure their rear edges do not overhang the flame ports. The edges of the pebbles **MUST NOT** be allowed to enter the flame ports.



Place the middle row of four pebbles onto the supports in the matrix, over the top of the holes. Ensure the pebbles are not turned sideways, such that they actually enter the holes.

Place the rear row of five pebbles, making sure that the flat sides are firmly against the brick panel and side cheeks as shown.

**Note: The pebbles must not be crammed together, or inserted into the holes in the matrix. A well laid out, generously spaced pebble layout will give the best results.**

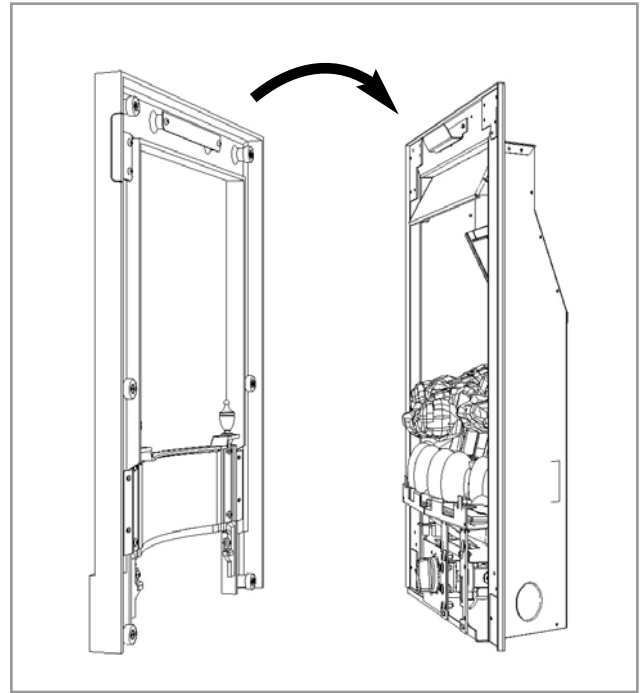


The pebbles may be rotated slightly within their positions to give a good visual effect. Pay special attention to finally adjust the pebbles with the fire lit on the HIGH setting in order to ensure that no flames play onto the firebox sides. This will reduce the possibility of heat discolouration.

The fire is designed to operate correctly with the pebbles supplied when assembled according to the instructions. Never add to the fifteen pebbles, or change them for a different type. Never throw rubbish or other matter onto the fuelbed.

## 10.0 FITTING THE DECORATIVE FRAME

The appliance is supplied with a decorative frame. To attach the frame to the firebox, simply hook on at the top. The frame incorporates magnets at the bottom to hold it in position. Place the frame into position in front of the fire and slide the ashpan door into place. Do not use any other firefront other than the one supplied with this appliance. The firefront shown in these instructions may differ from the one supplied with the appliance.



## 11.0 TESTING AND COMMISSIONING

Turn on and test the gas supply up to the fire for any leaks, in accordance with the current edition of BS6891.

### 11.1 OPERATING THE APPLIANCE

The pilot is visible through the left hand side of the matrix. Rotate the coals or pebbles for good viewing. Push in and turn the control knob to the SPARK position, and hold there for a few seconds. Continue turning anti-clockwise through the spark click to the PILOT light position, ensuring the pilot has lit. If not, return the knob clockwise, and repeat.

When the pilot lights after the spark, keep the knob depressed for approximately ten seconds. Now release the knob and the pilot should stay alight. If the pilot is extinguished during use, wait three minutes before repeating the ignition procedure. To achieve the HIGH setting, push the control knob in slightly and continue turning anti-clockwise to the high position. The main burner should light after a few seconds. To decrease the setting to LOW, turn the control knob clockwise to the low setting.

To turn to the PILOT position from the HIGH or LOW positions, press the control knob in, and return to the pilot position and release. To turn the fire OFF, keep the knob pressed in, return to the off position and release.



### 11.2 SPARK FAILURE

The gap between the spark electrode and the pilot should be 3.5 - 4.5mm to produce a good spark. There should be no need to adjust this. If under any circumstances the electric spark fails, the pilot may be lit manually by proceeding with the ignition sequence as previously described, and after turning the control knob through the spark position, the knob should be held in and the pilot lit with a taper.

## 12.0 SETTING PRESSURE

To commission the appliance, the burner pressure must be in accordance with the figures stated in section 2.0 of these instructions. The fire is factory set to achieve these pressures and any significant variation could indicate a supply problem. If the pressure is too high, the gas supply meter may be set incorrectly. This should be checked with the fire running and if necessary reset by the gas supplier.

If the burner pressure is too low, then check the inlet pressure with the appliance running. If this is less than the inlet pressure stated in section 2.0 of these instructions it will need to be reset by the gas supplier. If the setting pressure is too low, but the meter pressure is acceptable, then a problem in the supply pipework is to be suspected.

Upon satisfactory checking of the burner pressure, turn the fire off, disconnect the pressure gauge and refit the test point screw. Light the fire and check for gas soundness.

In the event that the burner pressure is not in accordance with the figures stated in the data section of these instructions, the appliance must not be commissioned, and the manufacturer should be contacted for guidance.



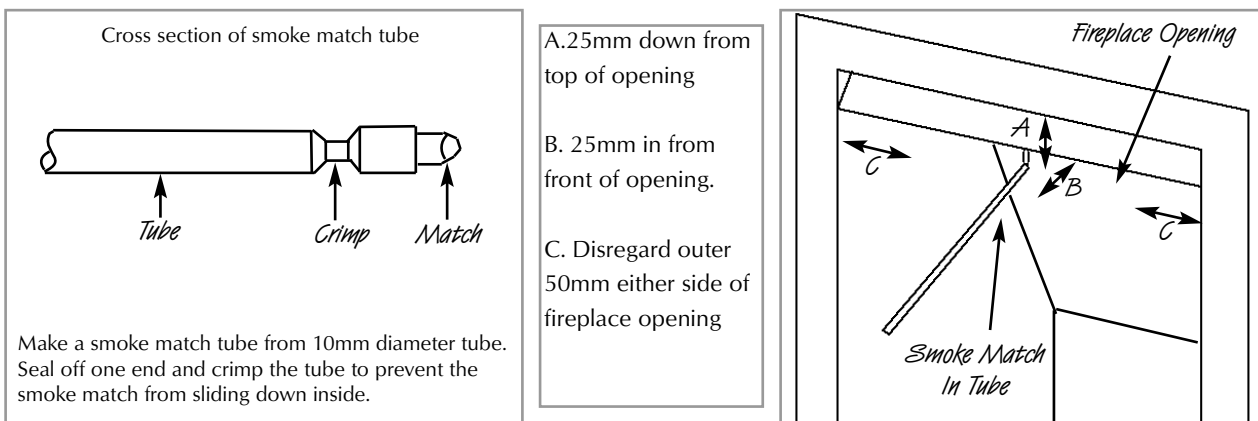
### 12.1 FLUE SPILLAGE MONITORING SYSTEM

This fire is fitted with a flue spillage safety device (ODS). If the fire shuts down during use for no apparent reason then several things may be suspected. If a door or window has been opened creating a draught, then pilot disturbance is the problem, and removal of the draught should resolve this. The gas pressure reaching the fire must also be checked (again, recall your installer to check and rectify any problem). The thermocouple connection into the back of the gas control valve may also have worked loose during installation, simply get the installer to tighten. If pilot disturbance is not the cause, then the ODS safety system may be in operation. Switch the appliance OFF, check the flue and carry out any remedial work required. Relight the fire and carry out a spillage test. DO NOT allow the appliance to be used if it continues to fail a spillage test.

The aeration hole of the pilot must be carefully cleaned out on each annual service to ensure continued function of the ODS. The spillage monitoring system shall not be adjusted, modified, or put out of operation by the installer. Any spare parts fitted MUST be of a type supplied for the purpose by the appliance manufacturer. If the fire is not spilling, then further guidance should be sought, using the Troubleshooting section as a guide.

## 13.0 TESTING FOR SPILLAGE

Close all doors and windows to the room containing the appliance. Let the fire run on HIGH for five minutes. Take a smoke match, light it, and using a smoke match tube, hold it at the top edge of the fire opening, 25mm down and 25mm in. Starting 50mm in from either side, run the smoke match across the opening. All the smoke should be drawn away up the flue. Any smoke returning into the room indicates that spillage is occurring. If the initial spillage test fails, run the fire for a further 10 minutes and repeat the test. When the test has been completed satisfactorily, repeat with any extractor fans in the premises running on the highest setting, and any communicating doors open. Finally, repeat with all doors open.



DO NOT allow the fire to be used until the test is satisfactorily passed.

## 14.0 BRIEFING THE CUSTOMER

All instructions must be handed to the user for safekeeping. Show the customer how to light and control the fire.

After commissioning the appliance, the customer should be instructed on the safe use of the appliance and the need for regular servicing. Frequency of service depends on usage, but MUST be carried out at least once annually.

Advise that cleaning of the fire may be achieved when the fire is cold using a damp cloth and mild detergent on most surfaces.

Scratched and other superficial damage to the matt black paintwork of the appliance can be covered with matching heatproof spray. Use only the manufacturers' recommended spray paint. Paint only when the fire is OFF and cold. Always mask off the surrounding area to prevent contamination with overspray. Ventilate the room during the use of the spray. DO NOT attempt to spray paint the coals or ceramics, or wash them in water.

Advise that the fire will emit a "newness" smell for a time after initial commissioning and that extra ventilation may be needed during this time. Advise that the fire is fitted with a spillage safety device (O.D.S.). If the fire shuts down, this system may be in operation. If spillage is suspected, SWITCH APPLIANCE OFF and call in the installer to investigate any problems.

## 15.0 SERVICING

Isolate the fire from the gas supply. Ensure that the fire is fully cold before attempting service. A suggested procedure for servicing is detailed below.

1. Lay out the dust sheet and tools.
2. Carefully remove the ceramic components.
3. Remove the cast front fret.
4. Remove the two screws that retain the data/control plate.
5. Disconnect the gas supply, and remove the two securing screws in the tray legs.
6. Remove the burner tray.
7. Remove firebox as described.
8. Check the fireplace opening for rubble accumulation and remove. If debris is excessive, initiate remedial work on the flue.
9. Check the flue with smoke pellet for correct operation.
10. Refit firebox using new seals where necessary
11. Strip off the burner pipes and clean thoroughly.
12. Clean out the injector, pilot assembly and burner tube. DO NOT remove the pilot injector.
13. Re-assemble and re-fit the burner tray.
14. Turn on the gas supply, and leak test.
15. Refit the decorative casting and ceramics.
16. Check any purpose provided ventilation is un-obstructed.
17. Light the fire and test for spillage.
18. Check setting pressure and safe operation of the appliance.

For specific servicing instructions, see the relevant sections.

## 15.1 CLEANING THE CERAMIC PARTS

Remove the firefront casting and place to one side. Remove the ceramic components. Gently clean in the open air. Be careful not to create dust from the coals. Where necessary replace damaged components with genuine spares. Seal scrap ceramic components in plastic bags and dispose at proper refuse sites as directed. Re-fit the coals by referring to the relevant section of these instructions.

## 15.2 REMOVING THE BURNER TRAY

Remove the decorative front. Remove the ceramics and the data/control plate and place safely aside.  
Remove the two screws securing the tray legs to the firebox. Pull tray forward slightly and lift away.  
Refitting is the reverse of above, being sure to engage the tray location lugs on the shelf at the rear of the firebox.

## 15.3 DISMANTLING THE BURNER TRAY

Remove the tray as previously described. The pilot unit can be removed by withdrawing the tubing nut, the thermocouple nut on the rear of the valve, and the two securing screws, and lifting away. Remove the tubing nut from the valve end of the pilot pipe, and blow through to dislodge any debris. Remove the two tubing nuts on the ends of the gas pipe to the injector elbow and blow clear. Release the screw through the supporting leg and lift assembly clear. The injector pipe can now be checked for debris. Remove the nut retaining the injector elbow. Blow through the elbow to remove any debris.

The valve is not field serviceable, apart from the pilot filter. Remove the control knob by pulling it forwards, then remove the largest of the three screws on the face of the valve. Slide the filter out and clean away any debris that may have accumulated. The filter element should also be blown clean. This component should not require replacement, however if signs of deterioration are evident then a genuine spare part must be used. If a large amount of debris is present in the filter then the pipework and control should be thoroughly cleaned before re-assembly.

## 15.4 PILOT ASSEMBLY

Remove the burner tray as in relevant section and pilot unit as described. Clean the pilot assembly with a soft brush and blow through. Check the aeration holes are free of any dirt or lint. Clean thoroughly internally, the connection can be removed from the base of the pilot unit using two spanners to make cleaning easier. Do not damage or try to remove the pilot injector. The unit is factory set and the only check necessary is to ensure the spark gap is correct. See specifications for gap setting.

## 15.5 REMOVING THE FIREBOX

Remove the burner tray as described previously. Protect the hearth from potential damage. Unroll the coiled tensioner cables from the rear of the firebox. Remove the securing nipples and tensioner adjusters. The firebox is now released from the opening and can be slid outward onto the hearth. Inspect the fireplace opening for debris and if excessive rectify the flue before proceeding further. Check the seal around the fireframe and if necessary replace. Refitting of the firebox is as described in the fitting section of these instructions.

## 16.0 TROUBLESHOOTING GUIDE

### *Fire sparks but pilot does not light*

No gas to fire, check isolators are open.  
Pipework blockage, clean out.  
Air not fully purged, repurge supply or wait longer.  
Spark earthing to metal work, reset gap correctly.  
Blocked pilot, clean out internally.

### *Pilot lights but then goes out*

Severe restriction in gas supply, clear obstruction.  
Faulty thermocouple, replace pilot unit.  
Hold control knob in for longer.  
Check control knob does not foul data plate.  
Missing grommet seal in firebox, replace

### *Fire does not spark at pilot*

HT lead detached, refit.  
Spark gap too large or small, reset correctly.  
Faulty piezo unit, replace.  
Debris shorting out electrode, clean.  
Spark shorting to metalwork under tray, realign HT lead.

### *Fire runs for a time and then cuts off*

Excessive room draught or flue pull, rectify.  
Loose or faulty thermocouple, rectify.  
ODS system in operation.  
Firebox grommet seal not fitted, rectify.  
Lint in pilot aeration hole, clean thoroughly internally

### *Pilot flame shrinks when fire is on high*

Poor gas flow to fire, check pressure with fire on high.  
If pressure is low, remove any restriction in pipework or valve.  
Check all isolators are adequately sized and fully open.  
Check meter pressure is adequate.  
Air leak under base of firebox, rectify.  
Lint in pilot aeration hole, clean thoroughly internally.  
Firebox grommet seal missing, rectify

### *Fire smells when first lit or in use*

Newness smell from brand new appliance.  
Spillage occurring. Carry out spillage test and rectify any problems.  
Low temperature sealants or combustible materials used in incorrect positions.  
Air leak under base of firebox, rectify  
Firebox grommet seal missing, rectify.

# USER INSTRUCTIONS

<i>Section</i>	<i>Contents</i>	<i>Page No.</i>
1.0	Important Notes	1
2.0	Firefront	2
3.0	Clearances to Combustibles	2
4.0	Ventilation	2
5.0	Operating Instructions	2
6.0	Flue Spillage Monitoring System	2
7.0	Cleaning	3
8.0	Cleaning the Ceramics	3
9.0	Servicing	3
10.0	List of spare parts	3

## 1.0 IMPORTANT NOTES

The installation of this fire **MUST** only be carried out by a competent person (such as a CORGI registered fitter) in accordance with the Gas Safety (Installation and Use) Regulations 1998, the relevant British Standards, Codes of Practice, the Building Regulations and the manufacturers' instructions.

Failure to comply with the above recommendations could lead to prosecution and invalidate the appliance warranty.

Please ensure you are handed all of the manufacturers documents on completion of the installation. This will include these instructions.

Always keep a note of the installer's name, address and CORGI registration number, the original purchase receipt and the date of installation for future reference.

The fire and flue should be serviced regularly to ensure continued safe operation. See the servicing section for further details. Frequency of service will depend on use, but **MUST** be carried out at least once annually.

Parts of this appliance become naturally hot during use. It is recommended that a suitable fire guard conforming to BS 8423 : 2002 is used, especially where young children, the elderly, or infirm are concerned.

Combustible items, such as flooring and furniture, and soft wall coverings (such as blown vinyl or embossed paper) may discolour if fitted too close to the fire. See relevant section for further details on clearances to combustibles. No combustible material or flooring should protrude onto the hearth.

**DO NOT** burn any foreign material on this fire, the coals or pebbles must be of the correct type and laid out in accordance with the relevant section of these instructions. Failure to do so could create a hazard or lead to soot-ing.

Before the appliance is installed, the chimney should be swept. All flues should be checked by the installer to ensure there are no defects or obstructions that may prevent the flow of combustion products.

This appliance is fitted with a flue blockage safety device which will shut down the fire if abnormal flue conditions occur. It is **NOT** a substitute for an independently mounted Carbon Monoxide detector.

The fire is only suitable for use with the gas type for which it is supplied.

## 2.0 FIREFRONT

This fire is supplied with a particular style of firefront. Use of the firefront will ensure an adequate airflow under the firebed for the correct functioning of this appliance.

Compliance with safety standards cannot be guaranteed if another style of front is used.

## 3.0 CLEARANCES TO COMBUSTIBLES

A combustible shelf may be fixed to the wall above the fire, providing that it complies with the dimensions given below.

<i>Maximum depth of shelf</i>	<i>Minimum distance from inside edge of fire frame to underside of shelf</i>
100mm (4in)	203mm (8in)
150mm (6in)	305mm (12in)
203mm (8in)	356mm (14in)

A non-combustible shelf may be fitted to within 10mm of the top edge of the fireframe.

Combustible materials, such as wood, may be fitted to within 100mm (4in) of either side of the frame of the appliance, providing the forward projection does not exceed 100mm (4in).

Any combustible side walls must be at least 500mm to the side of the radiant heat source.

As with all heating appliances, any decorations, soft furnishings, and wall coverings (i.e. flock, blown vinyl and embossed paper) positioned too close to the appliance may discolour or scorch.

## 4.0 VENTILATION

**No purpose provided ventilation is normally required for this appliance.** The requirements of other appliances operating in the same space or room, and the results of a spillage test must be taken into consideration when assessing ventilation requirements, this will have been carried out by your CORGI registered installer.

For Republic of Ireland, ventilation may be required, see IS 813, ICP3, IS 327, and any other rules in force.

## 5.0 OPERATING INSTRUCTIONS

The pilot is visible through the underside of the left hand side of the matrix. Push in and turn the control knob to the SPARK position, and hold there for a few seconds.

Continue turning anti-clockwise through the spark click to the PILOT light position, ensuring the pilot has lit. If not, return the knob clockwise, and repeat.

When the pilot lights after the spark, keep the knob depressed for approximately ten seconds. Now release the knob and the pilot should stay alight. If the pilot is extinguished during use, wait three minutes before repeating the ignition procedure.

To achieve the HIGH setting, push the control knob in slightly and continue turning anti-clockwise to the high position. The main burner should light after a few seconds.

To decrease the setting to LOW, turn the control knob clockwise to the low setting.

To turn to the PILOT position from the HIGH or LOW positions, press the control knob in, and return to the pilot position and release.

To turn the fire OFF, keep the knob pressed in, return to the off position and release.



## 6.0 FLUE SPILLAGE MONITORING SYSTEM

This fire is fitted with a flue spillage safety device (ODS). If the fire shuts down during use for no apparent reason then several reasons may be suspected. If a door or window has been opened creating a draught, then pilot disturbance could be the problem, and removal of the draught should resolve this. The fire can then be re-lit in accordance with the previous section. A grommet seal may also be missing from the firebox causing abnormal draught to shut down the pilot. Call your installer to check seals are properly fitted.

If pilot disturbance is not the cause, then the ODS safety system may be in operation. Switch the appliance OFF, call in your installer to check the flue and ventilation and carry out any remedial work required. DO NOT allow the appliance to be used until the flue system is passed as safe.

## 7.0 CLEANING

Before carrying out any of the following operations, ensure that the fire is OFF and completely cold.

Debris that may form on the firebed should be periodically removed by a competent person. Large deposits could indicate deterioration of the flue. This should be repaired by a competent person, and the fire serviced before further use.

**FIREFRONT** - Any dust accumulating in the firefront may be removed using a vacuum cleaner or dry cloth. Heavy stains may be removed by using a damp cloth and mild household detergent. Brass parts of the firefront may be cleaned using a suitable brass cleaner. Replace the front centrally against the fire after cleaning. Stainless steel parts may be cleaned using an appropriate metal cleaner or baby oil. Test on a hidden part of the stainless steel before cleaning. Clean only in the direction of the grain.

**PAINTED AREAS** - These can be cleaned using a dry cloth.

## 8.0 CLEANING THE CERAMIC PARTS

Remove the firefront casting and place to one side. Remove the ceramic components. Gently clean in the open air. Be careful not to create dust from the ceramics. Where necessary replace damaged components with genuine spares. Seal scrap ceramic components in plastic bags and dispose at proper refuse sites as directed.

Re-fit the ceramic parts by referring to the relevant section of these instructions.

## 9.0 SERVICING

The fire and flue should be checked on an annual basis to ensure all of the product of combustion are entering the flue and that there is no excessive build up of soot. The frequency of service will depend on usage, but **MUST** be carried out at least once annually. Servicing must be carried out by a competent person, such as a CORGI registered installer.

Cleaning of the coals/pebbles may be carried out by following the instructions given in the Installation section. The Installation instructions carry full servicing details for the use of the installer.

If debris from the flue or other foreign matter is found on the fire it may indicate a need for servicing. Do not use the fire until the source of the debris has been found and rectified.

Air vents (where fitted) should be checked periodically to ensure they are free from obstruction.

## 10.0 LIST OF SPARES

<i>PART NO.</i>	<i>ITEM</i>
F780094	Pack of 15 coals
F550057	Pack of 15 pebbles
F780093	Ceramic combustion matrix (coal)
F780035	Ceramic combustion matrix (pebble)
F550208	Ceramic pad set (includes rear pad, taper pad and side cheeks)
Please Enquire	Decorative Front