

# Vogue Electric

**FUEL EFFECT ELECTRIC FIRE**

## INSTALLATION AND USER INSTRUCTIONS



All instructions must be handed to user for safekeeping

Revision A - 02/02

Country(s) of destination - GB/IE

Focal Point Fires plc, Avon Trading Park, Christchurch, Dorset BH23 2BT

Tel: 01202 499330 Fax: 01202 499326

[www.focalpointfires.co.uk](http://www.focalpointfires.co.uk)

e-mail: [sales@focalpointfires.co.uk](mailto:sales@focalpointfires.co.uk)

<i>Section</i>	<i>Contents</i>	<i>Page No.</i>	<i>Section</i>	<i>Contents</i>	<i>Page No.</i>
1.0	Important Notes	1	6.0	Installing the Appliance	2
2.0	Installation Requirements	1	6.1	Fitting the decorative frame & front	2
3.0	Appliance Data	1	7.0	Operating the Appliance	2
4.0	Unpacking the Appliance	1	7.1	Safety Cutout System	3
4.1	Component Checklist	1	8.0	Maintenance	3
5.0	Assembling the fuel bed	1	9.0	Cleaning	3
			10.0	Spares	3

## 1.0 IMPORTANT NOTES

**DO NOT** use this heater immediately below a fixed socket outlet.

**DO NOT** use this heater in the immediate vicinity of a bath, shower or swimming pool.

**CAUTION!** *This heater must not be used in conjunction with any timer, programme or thermal control, or any other device that will switch on the appliance automatically, as a fire risk may occur if the heater is accidentally covered or displaced.*

Do not allow the heater to be covered as this may cause overheating. The appliance must not be placed near curtains or similar material. A clearance space of at least one metre should be allowed in front of the appliance.

The electrical socket that the appliance uses **MUST** be easily accessible. Do not route the supply cord directly below the heater unit. If the cord is damaged, it must be replaced by a service agent or competent person.

## 2.0 INSTALLATION REQUIREMENTS

The appliance is supplied with a pre-wired three pin plug (13Amp fuse rated) and 1.8 metres of electrical flex. It is therefore necessary for a suitable electrical socket to be located within this distance of the appliance and be easily accessible.

The appliance is suitable for installation into all proprietary surrounds with an opening of 416mm by 559mm (16" by 22").

The mounting depth of this appliance is 65mm (2.5"). It may be installed directly into any proprietary surround which can house this size of rebate, without needing to recess the appliance into a wall opening or fabricating a false chimney breast. For freestanding applications, a spacer frame is available at extra cost.

This appliance should be positioned on a firm level surface. If the fire is to be sited in a fire surround then the suitability of the surround for use with electrical heaters should be established with the fire surround manufacturer.

If fitted into an open draught fireplace, it is advisable to blank off the chimney to reduce the risk of draught through the fire, which may cause the safety cut out system in the fan heater to operate.

## 3.0

### APPLIANCE DATA

Supply Voltage	230v~50Hz	Fuse Rating	13 Amp
Heating Elements	2 x 1000W	Lighting	1 x 60W BC bulb

## 4.0 UNPACKING THE APPLIANCE

Read **all** the instructions before continuing to unpack or install this appliance. Remove the boxes/bags containing the coals or other loose fittings from around the heater. When all loose parts have been removed, carefully lift the appliance from the carton. Check that the contents correlate with the component checklist below. Please dispose of all packaging with care at your local recycling centre.

## 4.1 COMPONENT CHECKLIST

<i>QUANTITY</i>	<i>DESCRIPTION</i>
1	Heater main body
1	Decoartive fireframe (if not fitted with MDF frame)
1	Fire front casting with ashpan door
1	Orange coloured moulded fuel bed
1	Bag of overlay coals.
1	User instruction booklet.
3	Neoprene securing strips
1	Cable Fixing Kit
1	Fibre Rawl Plug
1	Eyebolt

## 5.0 ASSEMBLING THE FUEL BED

1. Disconnect the appliance from the mains.
2. Remove the loose coal pieces from their packaging. Position the coals onto the fuel bed 'shelf' evenly, so as to create a realistic effect.
3. Unpack the decorative cast front and place in front of the fuel bed. Unpack the ashpan and place it beneath the front.

## 6.0 INSTALLING THE APPLIANCE

To ensure the appliance is positively located into position, it is necessary to secure it in place using one of the following methods, either with the cable fixing kit, or the double-sided neoprene strips included in the instruction pack.

### Fixing by neoprene strips

In normal installation circumstances, this method of fixing is satisfactory for use with marble, stone, laminate, or any smooth faced mounting surface. Peel off the adhesive backing from one side of each strip and apply to the periphery of the REAR of the appliance frame, as shown in the Fig.1. Ensure that the strips are not applied any closer than 5mm (1/4") from the edge of the frame, attaching the strips closer may present problems when fitting the decorative trim. Tear off any excess lengths of strip to form a neat border around the frame.

Before finally fitting the appliance into its location, remove the remaining strips of adhesive backing, ensure that the mains cable and plug are properly routed, locate the fire into the opening and press firmly around the edge of the frame to allow the strips to adhere to the back panel of the surround.

### Fixing by cable fixing kit

This method of securing is normally necessary when the mounting surface is of a rough texture, i.e. stone or brick.

Firstly mark and drill a suitably sized hole in the centre of the proposed appliance location, 250mm up from the hearth surface, or floor if no hearth is to be used. Insert the rawlplug into the hole, then screw in the eyebolt.

Remove the fuel bed and then the transparent flame effect screen by removing the two screen clamps, which are each held in place by two screws, one at the base the other at the top in to the hood. Insert the cable through the central hole in the back of the appliance (Fig.2), through the eyebolt and through the hole in the lower rear of the appliance. The screen can now be refitted with the textured side facing forward and secured under the screen clamps (reversing the previously described method), adjust the screens height to suit the fuel beds 'legs.' Remove the light bulb from its mounting by pushing it in and twisting. Thread the cable through the small hole in the front panel. Locate the appliance into its opening and pull the cable taught. Slide on the screwed nipple and keeping the cable reasonably taught, tighten the nipple to secure (Fig.3). Replace the light bulb. The remainder of the cable may be coiled up and tucked behind the front when fitted, or fed back into the appliance through the hole and neatly coiled in the base, ensuring it does not come in to contact with any part of the flame effect motor. Fit the fuel bed and decorative cast front.

**NOTE: When using this cable fixing method, the additional depth of the eyebolt must be taken into account. Therefore, using this method will increase the minimum mounting depth of the appliance to 80mm.**

## 6.1 FITTING THE DECORATIVE FRAME AND FRONT

The appliance may be supplied with a decorative frame in a variety of finishes. The frame is held onto the firebox by one of two methods; either by magnetic pieces fitted to the steel backing plates, or as a three piece clip-on assembly.

**IMPORTANT : Due to the possibility of sharp edges, care should be taken when handling the three-piece frame components. The use of protective gloves is recommended.**

If not pre-fitted, the clip-on frame pieces should be hooked over the outer edges of the fireframe, and pushed firmly home. The sides should be fixed first, followed by the top bar, which overlaps the sides. Push firmly home. A plastic protective film may be applied to the outside of the frame and should be removed at this stage.

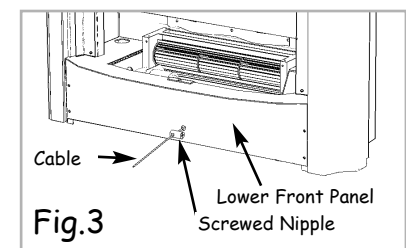
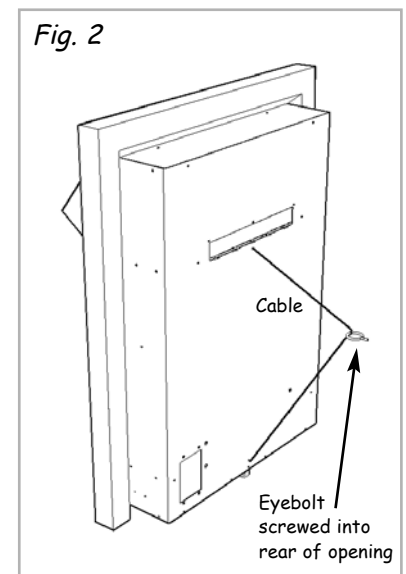
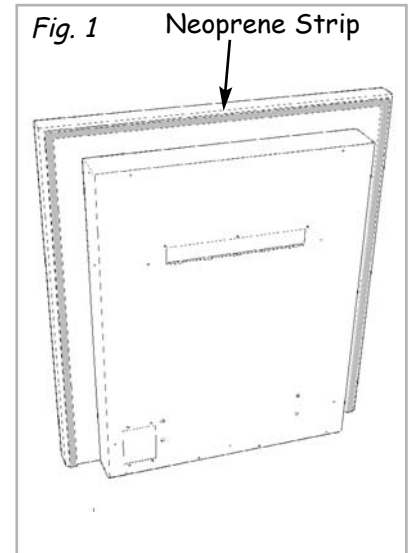
Fit the firefront brackets (if supplied) under the screws that secure the lower front panel on either side (fig.3). Fold the brackets along the 'stitch bend' so that they fit inside the decorative firefronts sides. Place the decorative firefront in front of the fire and slide the ashpan door into place.

## 7.0 OPERATING THE APPLIANCE

Check that the fan outlet is not covered or obstructed in any way and ensure the power to the fire is switched on.

The appliance is controlled using four switches, mounted under the lift up hood. The left switch (OI) controls the main power to the fire and switches on the fuel effect, which can be used independently of heat for visual effect only. The second switch (\*) operates the fan blower without heat, which can be used in the summer for cool air circulation. The switch marked with a single bar (I) operates the fan heater on the LOW setting (1kW). The switch marked with two bars (II) operates the fan heater on the HIGH setting (2kW).

To operate the fire, the left switch must be turned on first, followed by the second switch to start the blower, if required. To obtain heat from the appliance, the I switch must then be operated for LOW (1kW) of heat, followed by the II switch for the HIGH setting. It is not possible to obtain heat from the appliance without first switching on the main power switch (OI) and the fan blower switch (\*) in conjunction with either the LOW (I) or both the LOW and HIGH (II) switches.



## 7.1 SAFETY CUTOUT SYSTEM

This appliance has a safety cutout system fitted, which will activate if the air inlets or outlets are obstructed. For safety reasons the fire will NOT switch on again automatically, the following procedure must be carried out before the fire can be operated.

**NOTE: The visual effect will remain operational if the cutout is activated; only the fan heater is prevented from working.**

Switch OFF the appliance **at the wall socket or outlet**. Leave the fire OFF for a period of no less than 10 minutes, ensuring all obstructions are removed. Switch the appliance ON **at the wall**. Ensure the appliance is turned ON at the control switches. If the fire fails to operate correctly, repeat the above procedure. If an attempt to switch on the appliance is made before the safety cutout has reset, the appliance may cutout for a further period of time. If the sequence has been followed correctly and the appliance still fails to function, check the fuse in the wall outlet. If this is not the cause, call an electrician or maintenance engineer.

## 8.0 MAINTENANCE

**ALWAYS DISCONNECT THE APPLIANCE FROM THE MAINS SUPPLY BEFORE UNDERTAKING ANY MAINTENANCE.**

Excluding lamps and fuses, use only genuine spare parts available from your supplier. Replacement lamps must be of the same wattage and specification as those stated in Section 3.0 Appliance Data.

### **Replacing the light bulb.**

The fuel effect bulb can be replaced by firstly placing the fire front to one side and then by following the steps described.

1. Disconnect the appliance from the mains.
2. Withdraw the fuel bed by pulling it gently towards you.
3. Remove the light bulb. Note that the bulb has a conventional bayonet fitting. Replace with a new bulb. A conventional pearl type bulb rated no greater than 60 Watts is suitable.
4. Refit the fuel bed.
5. Replace the fire front.

## 9.0 CLEANING

There is no specific requirement for care of the fire other than a regular cleaning of the general appliance.

The decorative MDF casing (if fitted) is not removable for cleaning. A wipe with a dry cloth is normally sufficient. DO NOT use abrasive cleaners as they can damage the finish. Solid brass and silver parts of the fire may be cleaned using a appropriate metal polishes.

## 10.0 SPARES

Refer to Section 3.0 Appliance Data for lamp and fuse specification. Excluding lamps and fuses, use only genuine manufacturers spare parts available from your supplier.