

INSTALLATION & USER INSTRUCTIONS

WALL MOUNTED ELECTRIC FIRE



Focal Point Fires plc.
Christchurch, Dorset BH23 2BT
Tel: 01202 499330
Fax: 01202 499326
www.focalpointfires.co.uk
e : sales@focalpointfires.co.uk

MODELS COVERED BY THESE INSTRUCTIONS

EVOKE LCD ELECTRIC- F500176



EVOKE

Please note : Except where otherwise stated, all rights, including copyright in the text, images and layout of this booklet is owned by Focal Point Fires plc. You are not permitted to copy or adapt any of the content without the prior written permission of Focal Point Fires plc.

In the event of a problem with
this product, please call our
Customer Care Helpline.
01202 499 330

**All instructions must be handed to the user for
safekeeping.**

Revision D- 07/10

Section	Contents	Page No.	Section	Contents	Page No.
1.0	Preliminary Notes	2	8.0	Fixing the Appliance	3
2.0	Appliance Data	2	9.0	Operating the Appliance	4
3.0	Electrical Installation Requirements	2	10.0	Safety Cut-Out System	6
4.0	Site Requirements	2	11.0	Cleaning and Maintenance	6
5.0	Clearances to Combustible Materials	3	12.0	Servicing	7
6.0	Unpacking the Appliance	3	13.0	Appliance Dimensions	7
7.0	Component Checklist	3			

1.0 PRELIMINARY NOTES

The Evoke Electric Wall Heater provides convected heating in conjunction with a LCD screen which can display a number of different fuel effects and scenes. The appliance is designed for indoor use, and can be simply wall mounted in the majority of wall positions anticipated. It can be located in any household room, with the exception of bathrooms. Read all of the instructions before commencing installation. Retain for future reference and pass on as necessary to subsequent owners of the appliance.

- **DO NOT** use this appliance immediately below a fixed socket outlet.
- **DO NOT** use this appliance in the immediate vicinity of a bath, shower, swimming pool or other area where water/moisture could present a hazard.
- **CAUTION:** This appliance must not be used in conjunction with any timer, programmer or thermal control, or any other device that will switch on the appliance automatically, as a fire risk may occur if the heaters are accidentally covered or displaced.
- **WARNING :** This heater is not equipped with a device to control the room temperature. Do not use this heater in small rooms when they are occupied by persons not capable of leaving the room on their own, unless constant supervision is provided.

Do not allow the heater to be covered as this may cause overheating. The appliance must not be placed near curtains or similar material. A clearance space of at least 500mm should be allowed in front of the appliance.

The electrical socket that the appliance uses **MUST** be easily accessible. Do not route the supply cord directly over or above the heater unit. If the cord is damaged, it must be replaced by a service agent or competent person.

This appliance is not intended for use by persons (including children) with reduced physical, sensory or mental capabilities, or lack of experience and knowledge, unless they have been given supervision or instruction concerning use of the appliance by a person responsible for their safety. Children should be supervised to ensure that they do not play with the appliance.

The LCD displays are produced by the highly accurate technology, however, black pixels may be found, or red, blue and green pixels may not disappear. This is perfectly normal and within product specification. This should not be regarded as a fault.

2.0 APPLIANCE DATA

Weight (kg):	10.0 kg
Dimensions (mm):	H 480 x W 800 x D 154
Voltage (Volts):	230-240V a.c. 50Hz
Heating Elements:	2 x 900/1000 Watts
Supply Cord:	2 metres
Supply Plug:	BS 1363, 13A Fused
Location:	Indoor Use
LCD Display:	60 Watts

3.0 ELECTRICAL INSTALLATION REQUIREMENTS

The appliance is designed to be wall mounted using the wall mounting plate and fixings provided.

DO NOT RECESS ANY PART OF THE APPLIANCE.

The appliance is supplied with a pre-wired three pin BS1363 plug (13 Amp fuse rated), and 2 metre cable. A standard switched outlet/wall socket, (including earth provision), must therefore be located within this distance, and be easily accessible in order to isolate the supply for maintenance and cleaning. This socket **must not** be mounted behind or above the appliance.

IMPORTANT: THIS APPLIANCE MUST BE EARTHED.

4.0 SITE REQUIREMENTS

The appliances are designed to be wall mounted via the wall mounting plate and fixings provided. The wall should be relatively flat and not interfere with any of the ventilation slots in the appliance casing.

The wall must be structurally sound and of a material capable of withstanding moderate heat. Finished plaster, conventional wallpaper, dry-lined plaster board are examples of suitable materials. Materials such as "flock blown vinyl", embossed paper and cloth wall coverings which are sensitive to even small amounts of heat should be avoided, as some discolouration may occur. It should be noted that the appliance creates warm convected air currents. These currents move heat from the room surroundings to, and up the wall surfaces adjacent to the heater.

Installing the heater next to these types of wall coverings or operating the heater where impurities in the air, (such as tobacco smoke) exist, may slightly discolour wall finishing.

If the appliance is to be mounted on a dry lined or timber framed construction then the integrity and ability of the wall to carry the weight of the appliance must be confirmed. It is important in these circumstances that any vapour barrier and/or structural members of the house frame are not damaged. If you are unsure of the ability of the wall to carry the weight and/or which type of wall fixing to use, you should take professional advice and obtain the correct fixings. Alternatively, find a more suitable wall location.

- DO NOT**
- mount on a ceiling or floor.
 - recess any part of the appliance into the wall.
 - site any electrical equipment e.g. plasma screen TV sets etc, on the wall above the appliance.
 - site in a position where curtains or drapes could cover the appliance.
 - site in a position where other soft materials could cover e.g. below a coat rack.
 - site behind an opening door where mechanical impact/damage could occur.
 - site where the supply cable would become a trip hazard.
 - sit, stand or forcefully pull on the appliance.
 - obstruct, cover or force items into the openings.
 - use the heater to dry clothes.
 - site/use in an outdoor location(s).
 - run the supply cable under carpets.

5.0 CLEARANCES TO COMBUSTIBLE MATERIALS

It is important that the following clearances are maintained from the appliance to combustible materials and are dependant on the desired mounting location as defined below.

This appliance is designed to be wall mounted only. Do not stand it on the floor.

The minimum distance from the top of the appliance to a ceiling is 500mm.

The minimum distance to the sides of the appliance is 100mm.

The minimum distance to the front of the appliance is 500mm.

The appliance must not be mounted at floor level. Allow clearance to of 100mm to the floor.

A shelf may be mounted above the appliance provided it meets the requirements for shelves as detailed below.

Shelf Depth	Minimum Shelf Distance (measured from top of appliance)
2" or (50mm)	11.5 " or (290mm)
6" or (152mm)	15.4 " or (390mm)

6.0 UNPACKING THE APPLIANCE

Caution: This appliance is heavy. Always seek assistance whilst unpacking and/or during installation. Read *all* the instructions before continuing to unpack or install this appliance. Carefully remove the appliance from its packaging and lay on the floor with it's back surface downward. Check that the remaining packaging contents correlate with the component checklist below. Please dispose of all packaging with care at your local recycling centre.

7.0 COMPONENT CHECKLIST

QUANTITY	DESCRIPTION
1	Heater unit including LCD display
1	Decorative glass facia
1	Remote control handset
1	Wall mounting plate
1	Mains supply cord
1	Instruction Booklet
4	37mm long round head screws
4	Wall plugs

8.0 FIXING THE APPLIANCE

DO NOT connect the appliance to the supply at this stage. Remove the single thumbscrew from the middle of the base panel of the appliance, then remove the wall mounting plate from the appliance. After having selected the final mounting position of the appliance, taking into account the requirements as specified in sections 3.0, 4.0 and 5.0 of these instructions, the integrity of the wall, and the feasibility of the proposed supply cord routing, the wall mounting plate may be secured to the wall. To ensure safety, be sure to design the installation so that the strength of both the wall and any wall fixings used are sufficient.

Focal Point Fires plc. assumes absolutely no responsibility for injuries and damages that may occur due to improper installation or handling. The appliance should not be installed until all wet plastering and/or dry wall sanding and wall painting has been completed. Do not block the ventilation holes of the appliance. The wall onto which the appliance is installed must be flat. Install only on a vertical surface. Avoid sloped surfaces. Installation onto anything other than a vertical wall may result in fire, damage or injury.

If the appliance is to be mounted on the inner leaf of a conventional cavity brick wall, or a solid wall, then the wall plugs and fixing screws provided may be used. Depending on the condition of the wall it may be necessary to use additional fixings. In this situation, any additional fixings and wallplugs should be of the same size and type as the ones provided.

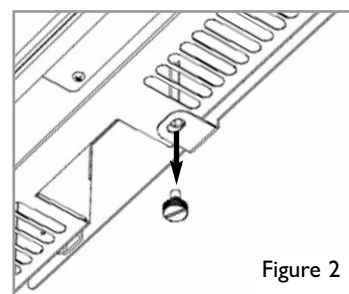


Figure 2

8.0 FIXING THE APPLIANCE - CONTINUED

GB IE

Using a spirit level to check correct horizontal alignment, hold the wall mounting plate in the desired position and using a pencil, mark out the position of the fixing holes on the wall. Remove the mounting plate from the wall and drill four holes using only a 8.0mm masonry bit to a depth of 43mm. Insert the wallplugs provided ensuring they are flush to the wall. Using the screws provided, fix the mounting plate to the wall.

! WARNING

The wall where the appliance is to be installed must be capable of long-term support of the total load of the appliance. Measures should also be taken to ensure sufficient strength to withstand the force of earthquakes, vibration and other external forces.

! WARNING

Plasterboard alone is not considered to be a structural material. It is not recommended to rely on plasterboard fixings alone to support the weight of the appliance.

With the wall plate secured in position the heater unit can be hung onto the wall plate. Ensure the two hooks at the top of the wall plate fully engage the keyhole shaped holes in the brackets at the top of the heater back panel as shown in figure 4.

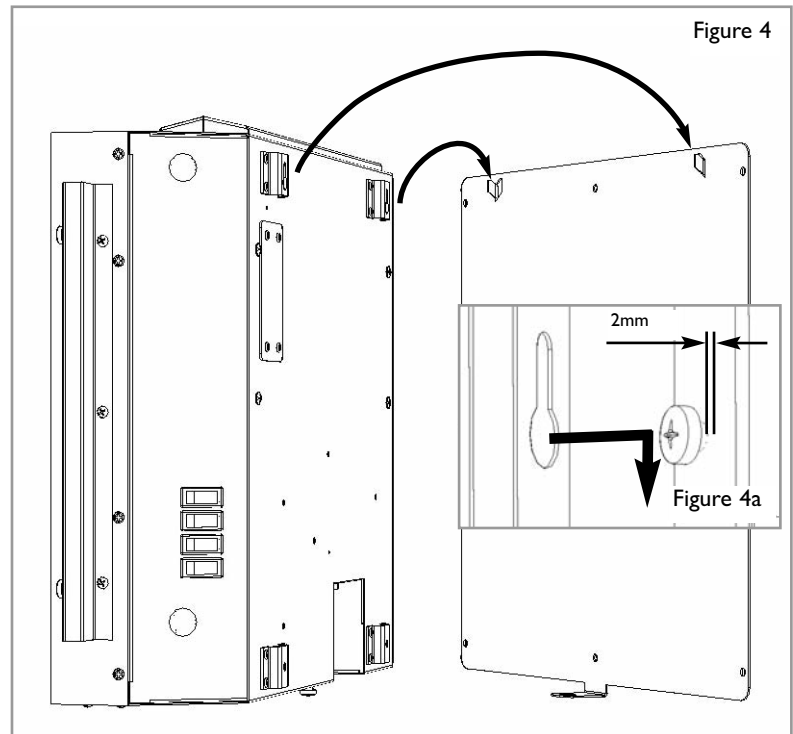
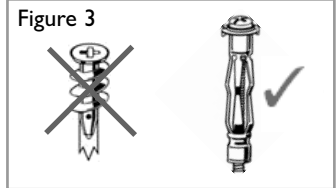
Finally re-fit the thumbscrew to the base panel of the heater via the tab at the bottom of the wall plate (see figure 2). This fixes the heater to the wall plate and will prevent the heater from falling off the wall in the event it is accidentally knocked, for example.

! IMPORTANT

Ensure the frame is fitted correctly and the remote control infrared sensor can be seen through the hole in the middle of the lower glass panel. If not, appliance will not receive signals from the handset.

If the appliance is to be mounted on a dry lined wall or a timber framed construction wall then efforts should be made to fix in at least two positions vertically, into one of the wooden studs, or supporting wooden members of the wall using two of the fixing screws provided. If this is not achievable then the wall should be strengthened using appropriate building materials.

If there is no alternative than to rely on some plasterboard fixings then special cavity screw fixings or hollow wall anchors will be required which are not supplied with this product. These should be constructed from metal and not plastic and of the design indicated in figure 3.



When the heater unit is in position on the wall, remove the decorative glass facia from the packaging and fit to the heater. The four keyhole shaped holes on the back of the frame mount directly onto the four M6 screws on the front of the heater (see figure 4a inset).

9.0 OPERATING THE APPLIANCE

Read All Instructions Before Use

Check that the heater outlet grille, mounted at the top of the appliance, is not covered or obstructed in any way, and ensure the power to the fire is switched on. The power to the LCD display panel and the heater functions are controlled using four switches mounted on the lower right hand side panel.

Controlling the heater functions

The first switch towards the top, marked **(OI)**, controls the main power to the appliance and switches on the LCD display panel. This feature can be used independently of the heating features.

The next switch down, marked **(*)** operates the fan blower without heat, and can be used for cool air circulation. However for this feature, the main power switch **(OI)**, must also be in the "on" position.

The next switch down, with a "single bar" marked **(I)** operates the low heat, (1kW), setting.

The switch at the bottom, with "two single bars" marked **(II)**, operates the high heat, (2kW) setting.

To operate the fire in any of the above modes, the top switch marked **(OI)** must be switched to the "on" position.

To operate the fire, the **(OI)** switch must be on, followed by the **(*)** switch to start the blower. To obtain heat from the appliance, the blower must be on and the **I** switch must then be operated for LOW heat, followed by the **II** switch for the HIGH heat setting.

Controlling the LCD display panel - Basic functions

The appliance is pre-programmed with seven different scenes as shown in figures 5 through 11. These scenes have been specially edited to run in a seamless loop. When the appliance is switched on, the coal fire scene will automatically run. To select a different scene either press the button or the button. This will skip through all of the different scenes in order.

Alternatively, to jump directly to a certain scene press one of the scene select buttons. For example, button 1 will play the coal fire scene (see figure 5). Button 2 will play the log fire scene (see figure 6) and so on.

Certain scenes also include sound. This can be muted by pressing the button. The volume can be lowered by pressing the button and raised by pressing the button.

During normal operation the footage may occasionally be seen to 'freeze' for a fraction of a second. This happens as the scene is recycled to loop again. This is perfectly normal and should be no cause for concern.

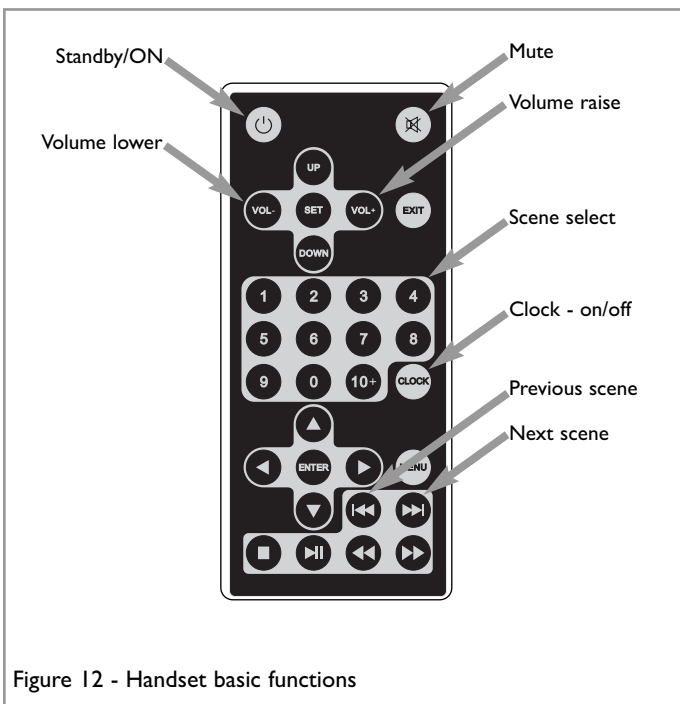
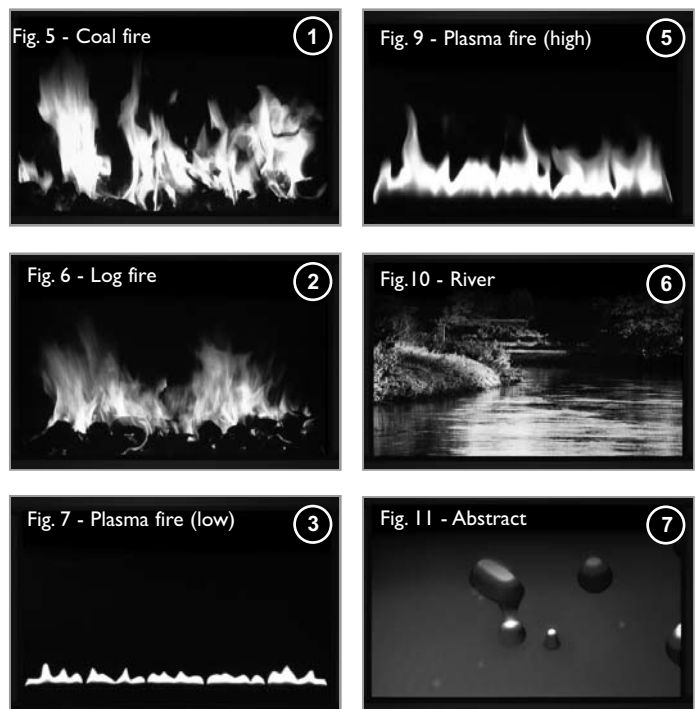


Figure 12 - Handset basic functions



Controlling the LCD display panel - Advanced functions

The LCD display panels are factory set for best all-round performance and no further adjustment should be necessary. Should you wish however, certain settings can be changed by using some of the buttons on the handset and the on-screen menu systems.

To access the display settings menu press the button on the handset. The menu will appear with the blue cursor over the top right icon (figure 13).



Fig. 13

Press the or button to move the blue cursor over the icons. In this example the brightness menu has been selected (figure 14).



Fig. 14

To access the chosen menu, press the button. A yellow menu bar will now be shown on the 'Return' option (figure 15).

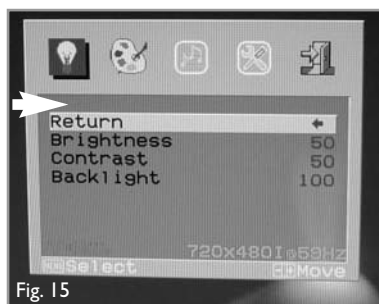


Fig. 15

Press the or button to move the yellow bar over the menu items. In this example the contrast menu has been selected (figure 16).

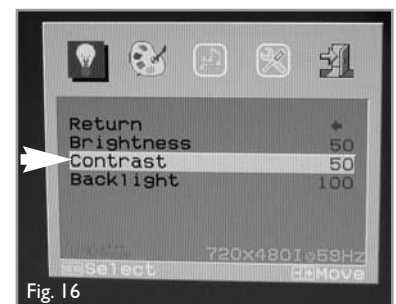
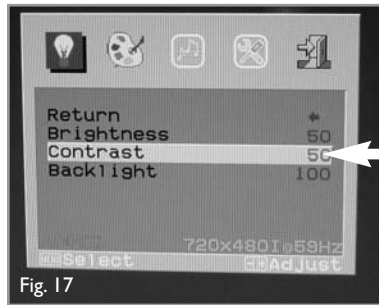


Fig. 16

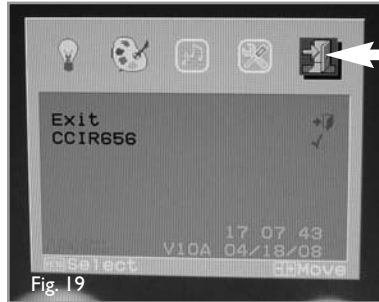
To change the value of the selected menu item press the **SET** button. The value next to that item will change colour to red. (figure 17).



Press the **UP** or **DOWN** button to change the selected value (figure 18). When you have finished, move the yellow bar to 'Return' and press the **SET** button.



Finally, to exit this menu system, move the blue cursor to the 'exit' symbol at the top right of the menu, press the **SET** button twice (figure 19).



The appliance can be switched off at any time, irrespective of the particular mode selected, by simply switching the first switch marked **(OI)** to the "off" position. It is also recommended to unplug the power supply cable at the supply outlet when not in use.

10.0 SAFETY CUT-OUT SYSTEM

This appliance has a safety cut-out system fitted which will activate if the air inlets or heater outlets are obstructed. For safety reasons the fire **WILL NOT** switch on again automatically.

NOTE: The LCD display panel will remain operational if the cut-out is activated, only the fan heater elements are prevented from operating.

The following procedure must be carried out before the fire can be operated again:

1. Unplug the power supply cable at the outlet socket and place all switches to off at the appliance.
2. Leave the fire OFF for a period of not less than 10 minutes, ensuring any obstructions are removed.
3. Plug in the power supply cable at the outlet socket, and then switch on at the appliance.

If the appliance fails to operate correctly, repeat the above procedure. If the appliance still fails to operate properly, it may be necessary to clean the fan. If the fan has accumulated a build-up of dust, this can cause the safety cut-out system to operate. See section 11.0 for details.

If an attempt to switch on is made before the safety cut-out has reset, the heaters may cut-out for a further period of time. If the sequence has been followed correctly and the heaters still fail to function, check the power supply cable plug is plugged in at the outlet socket. If this is not the cause, call an electrician.

11.0 CLEANING AND MAINTENANCE

ALWAYS DISCONNECT THE APPLIANCE AT THE SUPPLY OUTLET SOCKET BEFORE UNDERTAKING ANY CLEANING.

Except for periodic cleaning of dust, there are no specific requirements for care, other than regular cleaning of the general appliance. A wipe with a dry cloth is normally sufficient. **DO NOT** use abrasive cleaners as they can damage the finish. Make sure the heater outlet grille (located on the top panel), and the air inlet mesh grilles (located on the sides and base panel) are kept clear of dust, pet hair and other airborne household matter. These should be vacuum cleaned periodically using a brush attachment.

GLASS FACIA PANEL - This should only be cleaned using a suitable glass cleaner. Test on a small area first.

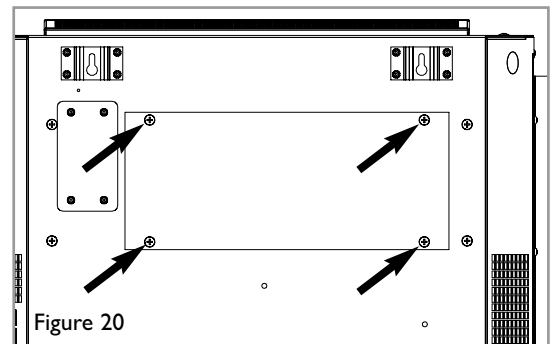
CLEANING THE FAN - Over time, a build-up of lint, dust and other airborne matter such as pet hair can accumulate on the fan. This can cause the safety cut-out system (see section 10.0) to operate. In order to clean the fan, disconnect the appliance at the supply outlet socket. Remove the decorative glass facia and remove the appliance from the wall, removal is the reverse of fitting as described in section. 8.0.

Using a poizidrive PZ2 screwdriver, remove the four screws shown in figure 20 from the back of the appliance and remove the fan cover to access the fan rotor. Using a clean, dry soft brush very gently remove any build-up of dust from the fan blades, cleaning the inside of the blades as well as the outside. Use a vacuum cleaner nozzle to collect the dust.

IMPORTANT : THE FAN IS A VERY DELICATE COMPONENT AND GREAT CARE SHOULD BE TAKEN NOT TO DAMAGE THE FAN BLADES. DO NOT TOUCH THE FAN BLADES EXCEPT WITH THE BRUSH.

Re-assemble the appliance and fit back on the wall.

IMPORTANT : DO NOT OPERATE THE HEATER WITHOUT THE FAN COVER FITTED.



12.0 SERVICING

GB IE

Except the fan which can be cleaned (see section 11.0), there are no internal user serviceable parts.

Check regularly for security of wall fixings as appropriate. Also check security of supply cable and connections. If the supply cable becomes damaged, it must be replaced by a service agent or competent person, such as a qualified electrician.

The wires in the cable are coloured in accordance with the following code:

LIVE	- Brown
NEUTRAL	- Blue
EARTH	- Green/Yellow

Refer to Section 2.0, Appliance Data for fuse specification. Excluding fuses, use only genuine manufacturers spare parts available from your supplier.

13.0 APPLIANCE DIMENSIONS

