

INSTALLATION & USER INSTRUCTIONS

LED ELECTRIC STOVE



Focal Point Fires
Christchurch, Dorset BH23 2BT
Tel: 01202 588 632
Fax: 01202 499326
www.focalpointfires.co.uk
e : info@focalpointfires.co.uk

MODELS COVERED BY THESE INSTRUCTIONS

Skálvik LED Electric Stove



Skálvik LED Electric Stove

Questions or problems with your appliance?

Don't take it back to the store

just give us a call on **01202 588601** we're here to help
lines open between 9am and 5pm, Monday to Friday

3 YEAR GUARANTEE

SUBJECT TO TERMS & CONDITIONS

For details please see: www.focalpointfires.co.uk/tandcs or telephone
01202 588635 Option 7

Please note : Except where otherwise stated, all rights, including copyright in the text, images and layout of this booklet is owned by Focal Point Fires plc. You are not permitted to copy or adapt any of the content without the prior written permission of Focal Point Fires plc.

All instructions must be handed to the user for safekeeping.

Revision A - 12/15

Section	Contents	Page No.	Section	Contents	Page No.
1.0	Important Notes	2	8.0	Safety Cutout System	6
2.0	Installation Requirements	3	9.0	Cleaning and Maintenance	6
3.0	Appliance Data	3	10.0	Spares	6
4.0	Unpacking the Appliance	3	11.0	Servicing	6
5.0	Component Checklist	3	12.0	Troubleshooting Guide	7
6.0	Clearances	4	13.0	Appliance Dimensions	7
7.0	Operating the Appliance	5	14.0	Guarantee - Terms and Conditions	8

I.0 IMPORTANT NOTES

IMPORTANT - THESE INSTRUCTIONS SHOULD BE READ CAREFULLY AND RETAINED FOR FUTURE REFERENCE.

When using this electrical appliance, basic precautions should be followed to reduce the risk of fire, electric shock and injury to person, including the following:

- This heater must be used on an AC supply only and the voltage marked on the heater's rating label must correspond to the supply voltage.
- **DO NOT** switch the appliance on until it is properly installed as described in this manual.
- This appliance can be used by children aged from 8 years and above and persons with reduced physical, sensory or mental capabilities or lack of experience and knowledge if they have been given supervision or instruction concerning use of the appliance in a safe way and understand the hazards involved. Children shall not play with the appliance. Cleaning and user maintenance shall not be made by children without supervision.
- Children of less than 3 years should be kept away unless continuously supervised. Children aged from 3 years and less than 8 years shall only switch on/off the appliance provided that it has been placed or installed in its intended normal operating position and they have been given supervision or instruction concerning use of the appliance in a safe way and understand the hazards involved. Children aged from 3 years and less than 8 years shall not plug in, regulate and clean the appliance or perform user maintenance.
- **CAUTION:** Some parts of this product can become very hot and cause burns. Particular attention has to be given where children and vulnerable people are present.
- If the supply cord is damaged, it must be replaced by the manufacturer, its service agent or similarly qualified persons in order to avoid a hazard.
- The heater must not be located immediately below a socket-outlet.
- **DO NOT** use this heater in the immediate surroundings of a bath, a shower or a swimming pool.



- **WARNING:** In order to avoid overheating, do not cover the heater.
- **DO NOT** use this heater with a programmer, timer, separate remote-control system or any other device that switches the heater on automatically, since a fire risk exists if the heater is covered or positioned incorrectly.
- **CAUTION:** In order to avoid a hazard due to inadvertent resetting of the thermal cutout, this appliance must not be supplied through an external switching device, such as a timer, or connected to a circuit that is regularly switched on and off by the utility.
- Keep furniture, curtains and other fabric material away from the appliance.
- **DO NOT** leave the appliance unattended during use.
- From time to time, check the cord for damage. Never use the appliance if the cord or any part of the appliance shows signs of damage.

1.0 IMPORTANT NOTES - CONTINUED

GB IE

- **DO NOT** run the mains cable under carpets, rugs etc.
- **DO NOT** cover or obstruct the heater in any way. Overheating will result if it is accidentally covered.
- Never immerse the product in water or any other liquids.
- **DO NOT** use the appliance outdoors.
- Before cleaning the appliance, ensure it is unplugged from the power and that it is completely cool.
- **DO NOT** clean the appliance with abrasive chemicals.
- Never use accessories that are not recommended or supplied by the manufacturer. It could cause danger to the user or damage to the appliance.
- **DO NOT** insert or allow foreign objects to enter the inlet or outlet vents as this may result in electric shock, fire or damage to the appliance.
- **DO NOT** install the fire using an extension cord.
- Unplug from the mains supply if the appliance is not to be used for long periods.

2.0 INSTALLATION REQUIREMENTS

The appliance is supplied with a pre-wired three pin BS1363 plug (13 Amp fuse rated) and 1.8 metres of electrical flex. It is therefore necessary for a suitable electrical socket to be located within this distance of the appliance and be easily accessible. The stove may be installed on a combustible or non-combustible floor, however the heater outlet is underneath the stove and certain types of floor covering may be affected by the heat produced by the stove. The ability of the floor covering to withstand the heat produced by the stove should be ascertained before proceeding with the installation of the stove. If in doubt then the stove should be mounted on a non-combustible hearth or plinth which extends for at least 150mm in front of the stove.

This appliance should be positioned on a firm level surface and in a clean 'dust free' environment. If the stove is to be sited in a fire surround then the suitability of the surround for use with electrical heaters should be established with the fire surround manufacturer.

If fitted into an open draught fireplace, it is advisable to block off the chimney to reduce the risk of draught through the stove which may cause the safety cut out system in the fan heater to operate. If the chimney to be de-commissioned then it should be ventilated to prevent the build-up of condensation or moisture which could damage to the structure of the building. If in doubt then seek professional advice.

3.0 APPLIANCE DATA

Supply Voltage :	220-240V AC 50Hz	Fuse Rating :	13 Amp
Heating Elements:	750W / 1500W	Lighting :	LED
Location:	Indoor use only	Supply plug/cord :	BS1363/1.8 metres length

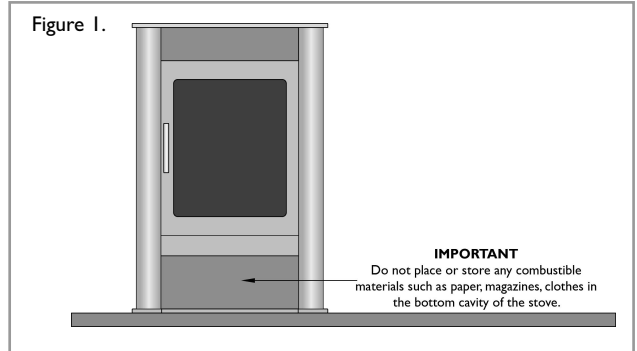
4.0 UNPACKING THE APPLIANCE

Read **all** the instructions before continuing to unpack or install this appliance. Carefully lift the appliance from the carton. Check that the contents correlate with the component checklist below. Please dispose of all packaging with care at your local recycling centre.

5.0 COMPONENT CHECKLIST

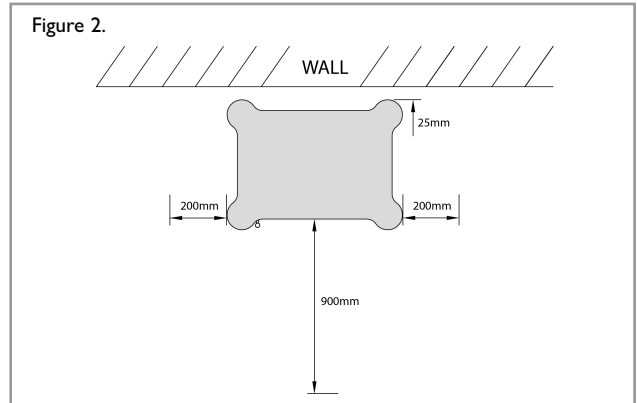
QUANTITY	DESCRIPTION
	Stove and heater assembly
	Full installation and user instructions
	Remote control handset

It is important that you do not place any objects such as furniture, papers, clothes and curtains in the cavity at the bottom of the stove below the heater.



Flat wall installation

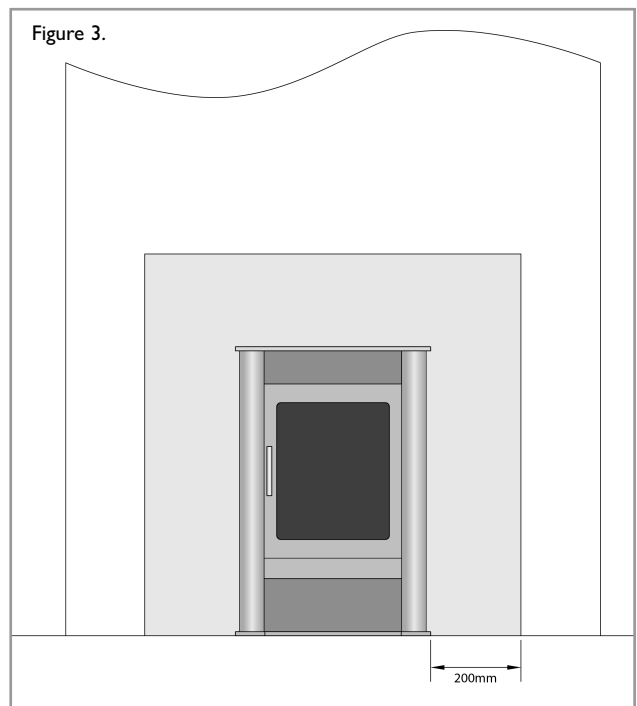
- The minimum distance from the back of the appliance 25mm.
- The minimum distance from the sides of the appliance 200mm.
- The minimum distance from the front of the appliance 900mm.



Inglenooks & recess

Where fitting in an inglenook or a recess, please ensure that the inglenook or recess has been blocked off and that no draft or air flow can affect the electric stove.

There needs to be a minimum of 200mm from the right hand side of the stove to allow enough access to the side controls.



7.0 OPERATING THE APPLIANCE

On the top right side of the stove there is the control panel (see figure 1). This panel contains the buttons to properly operate the electric fire. The buttons on the control panel on the side of the Electric Stove and the Remote Control function in the same way. The remote control has an effective range of up to 3.9 meters.

To turn unit on, press the main ON/OFF switch from "0" to "1". The switch will illuminate and it will beep one time. The unit will go into standby mode. To turn it off, please press the switch from "1" to "0". Now you can use either buttons next to the main ON/OFF switch or remote control to control the appliance.

1. On/Off
2. Heater low (750W)
3. Heater high (1500W)
4. Flame effect level up
5. Heater off
6. Flame effect level down

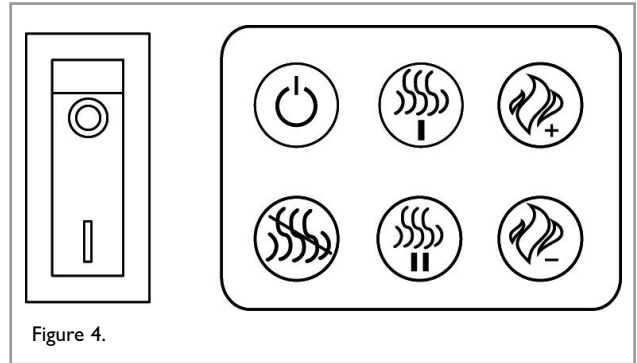


Figure 4.

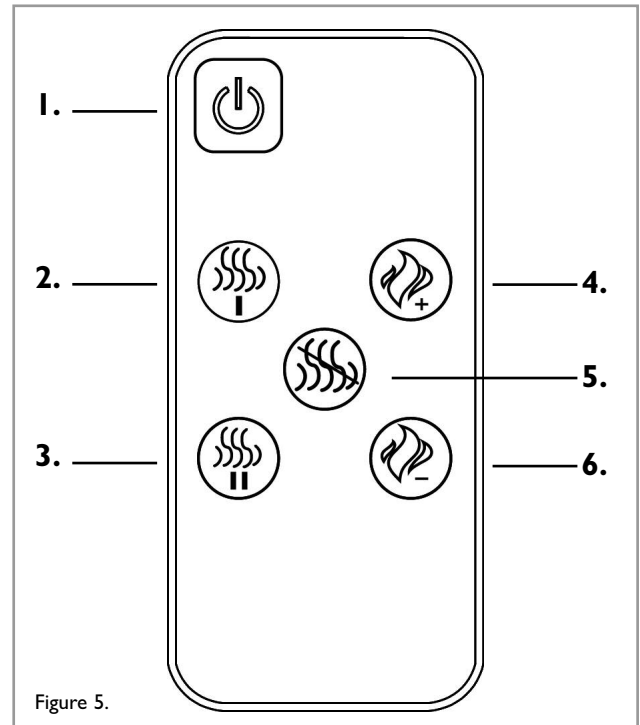

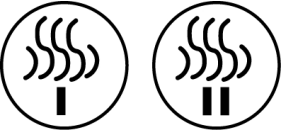




Figure 5.

	<p>Power Button</p> <p>Press this button once to turn on the fire and press it again to turn it back to standby mode.</p>
	<p>Heater Buttons</p> <p>The heater buttons allows you to chose from either 750W or 1500W of heat depending on which button you press. The low button will give you 750W of heat and the high button gives you 1500W of heat.</p>
	<p>Heater Off Button</p> <p>This button will turn off the electric fan heater.</p>
	<p>Flame Effect Buttons</p> <p>The flame effect buttons allows you to adjust the flame effect levels by pressing the buttons. The level up button will allow you to increase the flame effect and the flame effect level down will allow you decrease the flame effect level.</p>

Remote Control

The fire is supplied with an IR multifunction remote.

Before the remote will operate the plastic insulating sheet needs to be removed.

Battery Replacement

Battery Requirements: 3V CR2025

1. Locate and remove the battery bracket.
2. The battery has two sides, one with a button feature, and the other is flat.
3. Insert the battery with the button side down into the battery bracket, making sure the battery is firmly seated.

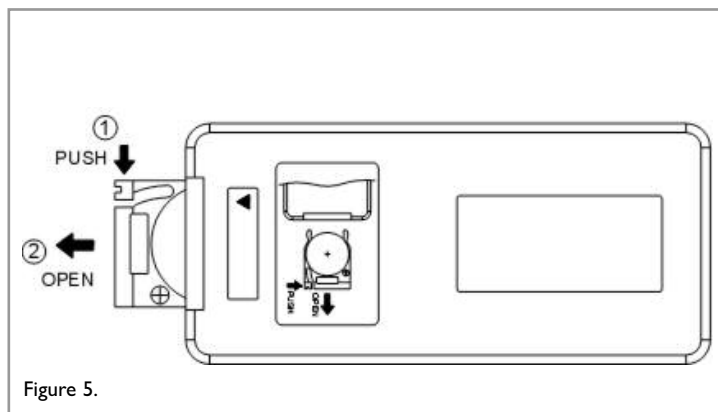


Figure 5.

8.0 SAFETY CUTOUT SYSTEM

This product has one non-self-resetting overheat protection device (thermal cut-out) which will activate if the air inlets or outlets are obstructed. For safety reasons the fire will NOT switch on again automatically, the following procedure must be carried out before the fire can be operated.

NOTE: The visual effect will remain operational if the cutout is activated, only the fan heater is prevented from working.

Switch OFF the appliance **at the wall socket or outlet**. Leave the fire OFF for a period of no less than 10 minutes, ensuring all obstructions are removed. Switch the appliance ON **at the wall**. Ensure the appliance is turned ON at the control switches. If the fire fails to operate correctly, repeat the above procedure. If an attempt to switch on the appliance is made before the safety cutout has reset, the appliance may cutout for a further period of time. If the sequence has been followed correctly and the appliance still fails to function, check the fuse in the wall outlet. If this is not the cause, call an electrician or maintenance engineer.

9.0 CLEANING AND MAINTENANCE

ALWAYS DISCONNECT THE APPLIANCE FROM THE MAINS SUPPLY OUTLET SOCKET BEFORE UNDERTAKING ANY CLEANING OR MAINTENANCE!

For general cleaning use a soft clean duster - never use harsh abrasive or cleaners. The glass viewing screen should be cleaned carefully with a soft cloth.

If in doubt consult a qualified electrician. Refer to Section 3.0 Appliance Data for fuse specification. Excluding fuses, use only genuine manufacturers spare parts available from your supplier.

Replacing the remote control battery:

When the battery becomes weak, the range of the remote control becomes shorter. Replace the battery with a new CR2025 lithium battery.

Note: Keep the lithium battery out of the reach of children.

10.0 SPARES

Refer to Section 3.0 Appliance Data for fuse specification.

There are no internal user serviceable parts.

11.0 SERVICING

There are no internal user serviceable parts.

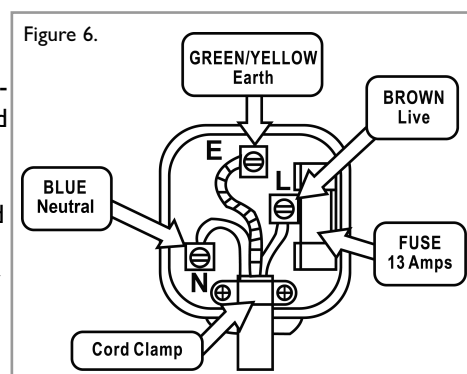
Check regularly for security of wall fixings as appropriate. Also check security of supply cable and connections. If the supply cable becomes damaged, it must be replaced by a service agent or competent person, such as a qualified electrician.

This appliance is supplied with a BS1363 3 pin plug fitted with a 13 Amp fuse. Should the fuse require replacing, it must be replaced with a fuse rated at 13 Amp and approved to BS1362. In the event of the mains plug being removed/ replaced for any reason, please note : **IMPORTANT:** The wires in the mains lead are coloured in accordance with the following code:

Blue - Neutral

Brown - Live

Green/ Yellow - Earth



11.0 SERVICING - CONTINUED

GB IE

As the colours of the wires in the mains lead of this appliance may not correspond with the colour markings identifying the terminals in your plug, proceed as follows.

The blue wire must be connected to the terminal marked with an N or coloured black. The brown wire must be connected to the terminal marked with an L or coloured red. The green/yellow wire must be connected to the earth terminal which is marked with an E or with the earth symbol. **WARNING:** Never connect live or neutral wires to the earth terminal of the plug.

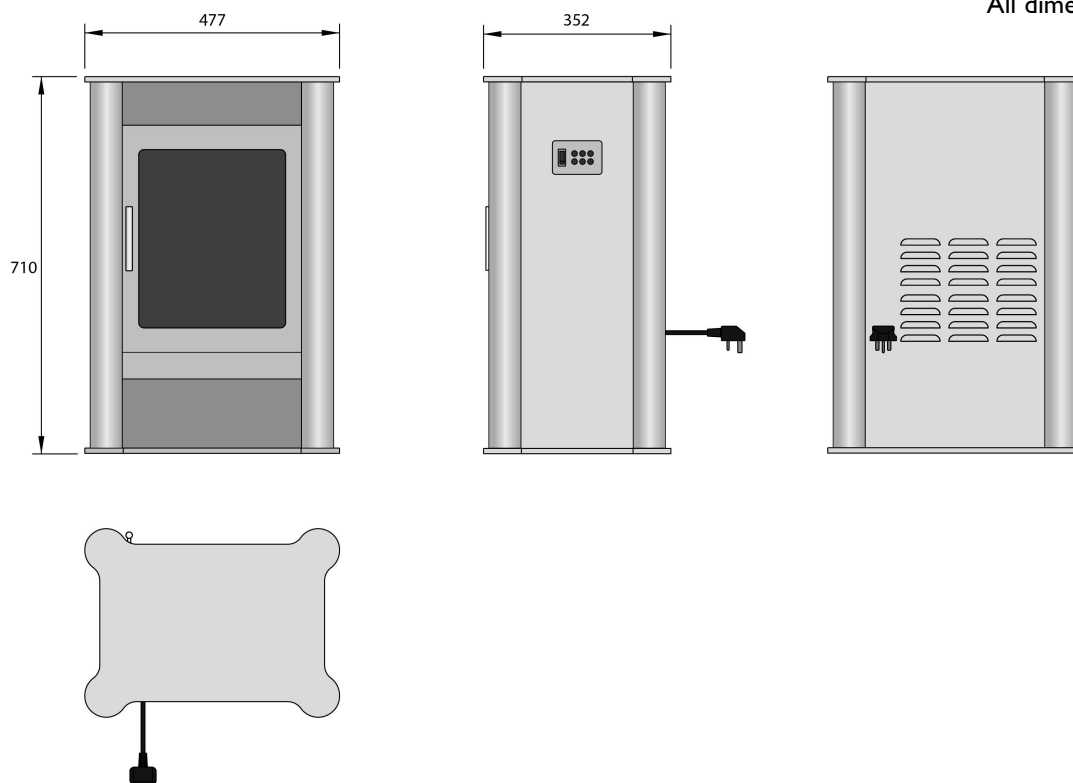
NOTE: If a moulded plug is fitted and has to be removed take great care in disposing of the plug and severed cable, it must be destroyed to prevent engaging into a socket.

12.0 TROUBLESHOOTING GUIDE

Fire is not switching on	Ensure mains switch is on Replace the fuse in the plug
Logs glow but flame effect does not work	Check to see if the spinning motor is working. If not contact Focal Point Fires
Heater doesn't work, but Power and Heater switches / buttons are in the "ON" position	Turn all switches / buttons to the "OFF" position and unplug the unit from the wall outlet for 5 minutes. After 5 minutes plug the unit back into wall outlet, and operate as normally.
Fire seems noisy	There is a level of noise when the flame effect is in use, caused by a motor that helps generate the effect. This noise will be heard when there is no other background noise. There is a higher level of noise associated with the heater motor; this is due to the air flow required when heat has been selected.
Remote is not operating	Check or replace batteries.

13.0 APPLIANCE DIMENSIONS

Figure 7.



Registration is not required.

Appliances purchased prior to 1st February 2009, and those specifically marked as '1 year guarantee' on the Focal Point Fires website, are guaranteed for one year from the date of purchase, provided that the following three terms and conditions are adhered to:

1. For any claim to be made within 1 year from date of purchase you will be required to provide and supply us with your original proof of purchase.
2. All appliances must have been installed and operated in accordance with the manufacturer's instructions.

3 Year Guarantee Terms and Conditions

Please be advised that the 3 year guarantee only covers products purchased on or after 1st February 2009.

The 3 year guarantee is only applicable to purchases made through an authorised stockist/retailer. Please see our website for a list of authorised stockists. Any purchase(s) made through an unauthorised stockist(s) will be eligible for a statutory 1 year guarantee.

For all electric fires purchased the 3 year guarantee commences from the date of purchase, provided that the following 2 terms and conditions are adhered to:

1. For any claim to be made within the 3 years from date of purchase you will be required to provide and supply us with your original proof of purchase.
2. Purchase(s) must be made through an authorised stockist/retailer.

Please note all consumable items such as any ceramics including: coals, pebbles, the matrix, front strips, side cheeks, rear panels and tapered rear panels are not covered by the 3 year guarantee.

During the guarantee period any product or component which is proved to be faulty or defective in manufacture, will be repaired or replaced free of material and labour charges, providing that we have authorised or carried out the repair or replacement.

We will not accept or reimburse the costs of any third party who undertakes any work carried on the product or fits parts, unless we have approved such work in advance of it being carried out.

The guarantee period will not be extended even if we repair or replace any product or part.

For all electric fires purchased the 3 year guarantee commences from the date of purchase, providing that you can supply the proof of purchase. This does not cover consumable items such as pebbles, coals or light bulbs. Purchase(s) must be made through an authorised stockist.

Making a claim

Making a claim is easy. If you wish to make a claim under our guarantee and all the terms and conditions for your product have been met then please submit the following information for the attention of the 3G Service Department to the address below. Alternatively, you can email or fax.

Focal Point Fires, 3G Service Department, Reid Street, Christchurch, Dorset, BH23 2BT.

Email: 3g@focalpointfires.co.uk,

Fax: 01202 588639.

Details required:

1. Name, full address including postal code and contact telephone number.
2. A copy of your proof of purchase e.g. receipt or bank statement.

Please note that this does not affect your statutory rights.



Waste electrical products should not be disposed of with household waste. Please recycle where facilities exist. Check with your local authority or retailer for recycling advice. As our policy is one of continuous improvement and development, we therefore hope that you will understand we must retain the right to amend details and/or specifications without prior notice.